

H8653

Wall Washer

**One 26-32-42W Triple Tube Compact Fluorescent Lamp
6" Parabolic Trim**

Optics and Applications

Primary and kicker reflectors work with a frosted Solite spread lens to produce wide lateral spread, light close to the ceiling and a uniformly illuminated wall. The pattern is devoid of hot spots or striations. Use to wash walls or accentuate objects of special interest.

Design Features

The faceted compound curve reflector is designed for triple tube lamps. The trim is stabilized to prevent racking and is held to the ceiling by constant pressure springs. After installation, the trim and optical assembly may be rotated 360° in 90° increments if orientation to the wall is incorrect. Maximum ceiling thickness 7/8". Top or bottom service.

Finish

Housing and structural parts are painted matte black to suppress stray light leaks. Standard trim is anodized Softglow® clear. Special colors available, see accessories.

Ballast

Programmed rapid start, microprocessor controlled for rated lamp life and end of lamp life protection. Input voltage range is from 120V through 277V. Operates 26W, 32W or 42W triple tube lamps. Power factor .98. Starting temperature 0°F (-18°C), THD <10%.

General

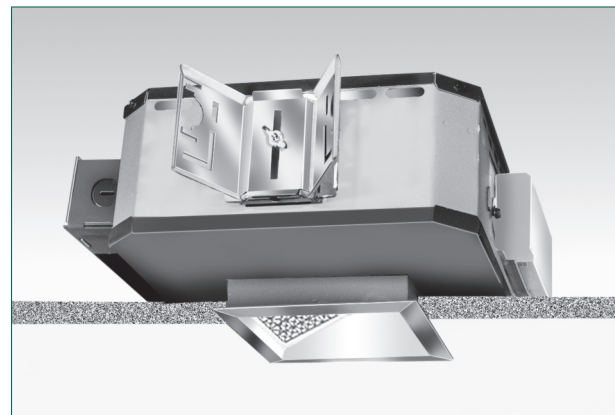
Fixtures are pre-wired, UL and C-UL listed for eight wire 75°C branch circuit wiring. Suitable for damp locations. All products are union made. Designed and manufactured in the USA.

Warranty

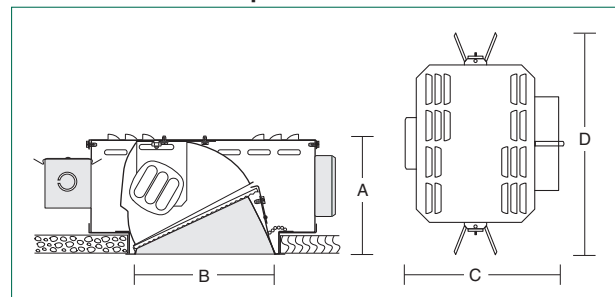
5 Year Warranty. See www.kurtversen.com for details or select hyperlink.

Accessories

- SB Softglow black.
- SG Softglow gold.
- SW Softglow wheat.
- SY Softglow pewter.
- R2 26" support rails.
- R5 52" support rails.
- DM Dimming ballast. Specify watts and volts.
- DM1 1% Lutron. Specify watts and volts.
- EM Emergency power includes integral charger light and test switch visible through aperture. Battery operation for 90 minutes.
- WRL Wattage restriction label, specify wattage.
- WT White trim flange.
- WHT White complete trim.
- FR Frosting on lens.
- LL Linear spread lens.



Dimensions and Lamps

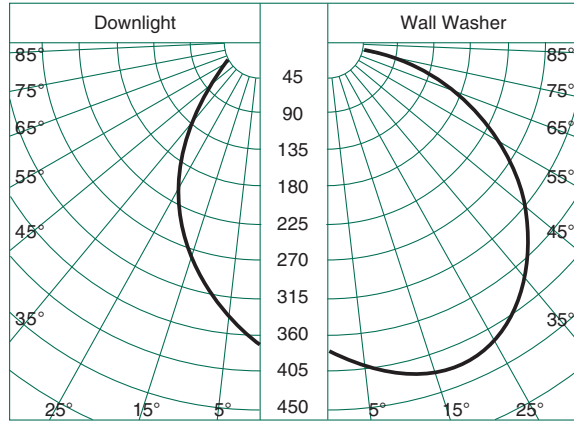


Number	A Depth	B Aperture	C Width	D Length	Lamps
H8653	5 1/2" 140mm	6" sq. 153mm	13 1/2" 343mm	19" 483mm	26-32-42W Triple Tube compact fluorescent

H8653

Cut out dimensions: 6^{21/32}". Outer flange dimension: 6 1^{1/32}".

Candlepower Distribution Curves

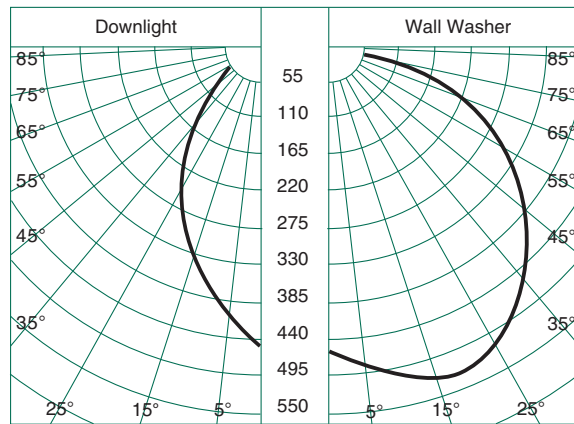


H8653 32W PL-T Philips

Multiple Units Footcandles

From Ceiling	2' from wall		3' from wall				4' from wall					
	2' Centers		3' Centers		3' Centers		4' Centers		4' Centers		6' Centers	
	C/L	Mid	C/L	Mid	C/L	Mid	C/L	Mid	C/L	Mid	C/L	Mid
1'	40	33	35	19	13	10	12	5	5	4	5	2
2'	42	41	32	26	20	19	17	12	10	9	9	4
3'	31	31	22	20	19	19	15	13	12	11	9	6
4'	22	21	15	14	16	16	12	11	11	11	8	6
5'	15	15	10	10	13	12	10	9	9	9	7	6
6'	11	11	7	7	10	10	7	7	8	8	6	5
7'	8	8	6	5	8	8	6	6	7	7	5	4
8'	6	6	4	4	6	6	5	5	6	5	4	4
9'	5	5	3	3	5	5	4	4	5	4	3	3
10'	4	4	3	3	4	4	3	3	4	4	3	3

H8653 32W PL-T Philips



H8653 42W PL-T Philips

From Ceiling	2' from wall		3' from wall				4' from wall					
	2' Centers		3' Centers		3' Centers		4' Centers		4' Centers		6' Centers	
	C/L	Mid	C/L	Mid	C/L	Mid	C/L	Mid	C/L	Mid	C/L	Mid
1'	52	46	44	27	16	14	15	8	7	5	6	2
2'	54	54	40	34	26	25	22	16	13	12	11	6
3'	39	40	27	26	25	24	19	17	15	14	12	8
4'	27	27	18	18	20	20	15	15	14	14	10	8
5'	19	19	13	13	16	16	12	12	12	12	8	8
6'	14	14	9	9	13	12	9	9	10	10	7	7
7'	10	10	7	7	10	10	7	7	8	8	6	6
8'	8	8	5	5	8	8	6	6	7	7	5	5
9'	6	6	4	4	6	6	5	5	6	6	4	4
10'	5	5	3	3	5	5	4	4	5	5	3	3

H8653 42W PL-T Philips

Brightness

Number	Lamps	85°	75°	65°	55°	45°
H8653	32W PL-T Philips	38	153	286	1471	2552
	42W PL-T Philips	77	230	464	1988	3270
	32W T/E Osram	54	134	284	1543	2453
	42W T/E Osram	50	180	356	1633	2690

Data in footlamberts. Photometer readings. Maximum Brightness Method. See note 7.

Notes

- 1 All data calculated with Softglow® clear trims and a microprism spread lens.
- 2 If colored trims are required, only the lens trim will be tinted. Primary and kicker reflectors are always clear Alzak for maximum output and true color rendition. Multipliers should be used to correct brightness and downlight data only. Multiple units footcandles are correct as reported above.
- 3 Colored trim multipliers: Gold x .90, Wheat x .85, Pewter x .80, Black x .70.
- 4 Above data measure output of the wall washers only. No contribution from adjacent downlights or ceiling, floor or wall reflectances is included. Total illumination on the wall will increase with the contribution from other sources.
- 5 Data are cosine corrected to the plane of the wall. Uncorrected data are much higher and depend upon the angle of incidence to the wall which varies with the mounting distance from the wall.
- 6 Kurt Versen wall washers minimize hard shadow lines at the ceiling. Intensity increases gradually to just above eye level. The illuminated field is uniform and devoid of hot spots, striations and spikes.
- 7 Brightness data from the Average Luminance Method are inaccurate for downlights. They are theoretical calculations for large surfaces such as troffer lenses. We recommend the stricter standard of Maximum Brightness Method point data from direct photometer readings. They approximate what the human eye perceives when evaluating glare.