

P953

Wall Washer
One 26-32-42W Triple Tube Lamp
5 7/8" Round Aperture

Optics and Applications

A full circle kicker reflector directs a uniform wash light to adjacent walls. The pattern is free from spikes, striations or dropouts and features wide lateral distribution. The downlight component is uniform with a soft edge to blend with nearby units. Use in low to medium height ceilings.

Design Features

Construction allows easy access to all components. A steel housing protects the reflectors which are joined to assure predictable performance. Fixture accepts Philips, Osram Sylvania, GE and other compatible lamps despite the variance in lamp base dimension. Cone assembly may be rotated 180° after installation. Vented air flow design assures cool fixture temperature for optimal lamp performance. Maximum ceiling thickness 1 1/2". Ballast and lamp service from below.

Finish

A specular clear Alzak cone is standard. Optional colors and Softglow® finishes available. Housing and structural parts are phosphated for corrosion resistance, then painted optical matte black for control of stray light leaks.

Ballast

Programmed rapid start, microprocessor controlled for rated lamp life and end of lamp life protection. Input voltage range is from 120V through 277V. Operates 26W, 32W or 42W triple tube lamps. Power factor .98. Starting temperature 0° F (-18°C), THD <10%.

General

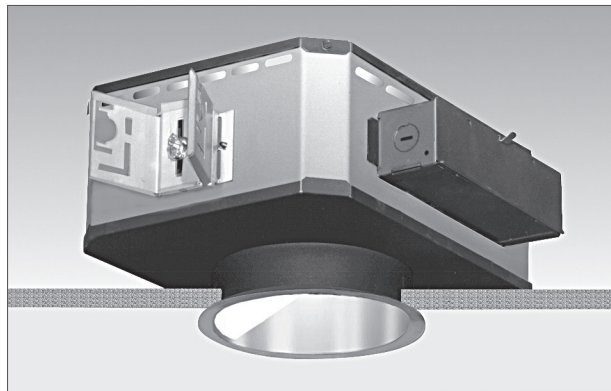
Fixtures are pre-wired, UL and C-UL listed for eight wire 75°C branch circuit wiring. All products are union made. Designed and manufactured in the USA.

Warranty

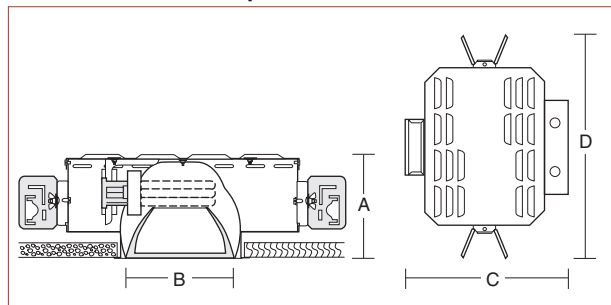
5 Year Warranty. See www.kurtversen.com for details or select hyperlink.

Accessories

- G Gold cone.
- W Wheat cone.
- Y Pewter cone.
- R2 26" support rails.
- R5 52" support rails.
- S Softglow® add S to color, e.g. SC Softglow® clear.
- DM Dimming ballast. Specify watts and volts.
- DM1 Dimming, 1% minimum, 26-32W, specify watts and volts.
- EM Emergency power includes integral charger light and test switch visible through aperture. Single lamp operation for 90 minutes. Specify volts.
- WRL Wattage restriction label, specify wattage.
- WT White cone flange.
- WHT White complete cone.



Dimensions and Lamps



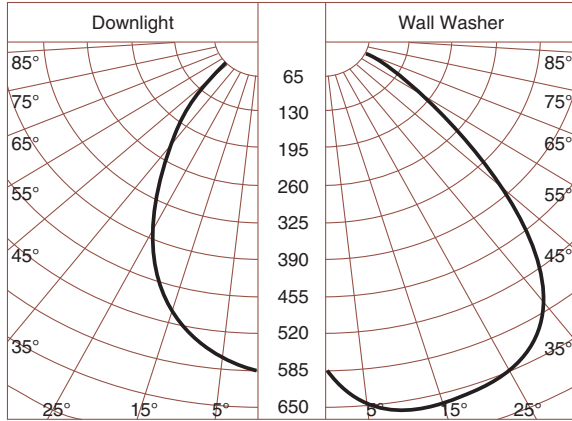
Number	A Depth	B Aperture	C Width*	D Length*	Lamp
P953	6" 152mm	5 7/8" 149mm	13 1/2" 343mm	19" 483mm	26-32-42W Triple Tube

*Width and length increase with EM accessory, contact factory for dimensions.

P953

Cut out dimensions: 6^{25/32}". Outer flange dimension: 7^{3/16}".

Candlepower Distribution Curves

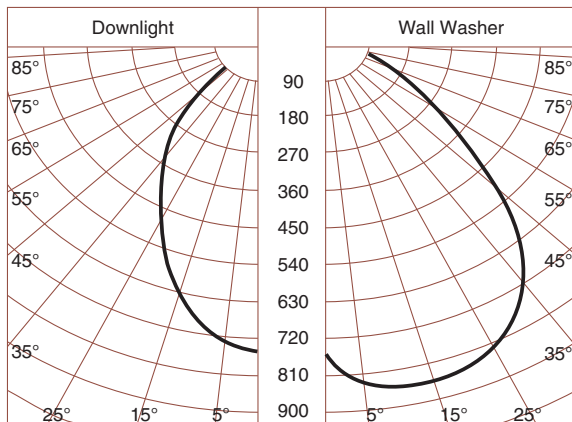


P953 One 32W Philips Triple Tube

Multiple Units Footcandles

From Ceiling	2' from wall		3' from wall				4' from wall					
	2' Centers		3' Centers		3' Centers		4' Centers		4' Centers		6' Centers	
	CL	Mid	CL	Mid	CL	Mid	CL	Mid	CL	Mid	CL	Mid
1'	40	39	31	24	13	13	11	9	6	5	5	3
2'	55	55	42	34	20	20	16	14	10	10	8	6
3'	51	51	34	33	25	25	20	17	12	12	9	7
4'	37	37	25	24	25	24	19	18	14	14	10	8
5'	26	26	17	17	21	21	16	15	14	14	10	9
6'	19	19	13	12	16	16	13	12	13	13	9	9
7'	14	14	9	9	13	12	10	10	11	11	8	7
8'	11	11	7	7	10	10	8	8	9	9	6	6
10'	7	7	4	4	6	6	5	5	6	6	4	4
12'	5	5	3	3	4	4	3	3	4	4	3	3

P953 One 32W Philips Triple Tube



P953 One 42W Philips Triple Tube

From Ceiling	2' from wall		3' from wall				4' from wall					
	2' Centers		3' Centers		3' Centers		4' Centers		4' Centers		6' Centers	
	CL	Mid	CL	Mid	CL	Mid	CL	Mid	CL	Mid	CL	Mid
1'	51	49	39	30	17	16	14	11	7	7	6	4
2'	70	70	53	43	26	25	21	18	13	13	10	7
3'	64	64	44	42	32	32	25	22	15	15	11	9
4'	47	47	31	31	31	32	24	23	18	18	13	10
5'	33	33	22	22	27	27	20	20	18	18	13	12
6'	24	24	16	16	21	21	16	16	16	16	11	11
7'	18	18	12	12	17	17	13	12	14	14	10	9
8'	14	14	9	9	13	13	10	10	12	12	8	8
9'	11	11	7	7	11	11	8	8	10	10	7	7
10'	9	8	6	6	9	9	6	6	8	8	6	6

P953 One 42W Philips Triple Tube

Notes

- 1 Data by IES methods. Compact fluorescent data vary due to lamp lumen differences, power input, burning position, ambient temperature and ballast characteristics. A modification factor should be applied.
- 2 Above data measure output of the wall washers only. No contribution from adjacent downlights or ceiling, floor or wall reflectances is included. Total illumination on the wall will increase with the contribution from other sources.
- 3 Data are cosine corrected to the plane of the wall. Uncorrected data are substantially higher and depend upon the angle of incidence to the wall which varies with the mounting distance from the wall.
- 4 Kurt Versen wall washers are designed to minimize hard shadow lines at the ceiling. Light intensity increases gradually to the maximum area, just above eye level. The field is uniform, devoid of hot spots, striations and spikes.
- 5 If colored cones are required, only the downlight cone will be tinted. The kicker reflector is always clear Alzak for maximum output and true color rendition.
- 6 Specular cone multipliers: Use for downlight and brightness data only: Gold x .91, Wheat x .87, Pewter x .81.
- 7 Softglow[®] cone multipliers: Use for downlight and brightness data only: Clear x .98, Wheat x .82, Pewter x .80, Gold x .90.
- 8 Brightness data from the Average Luminance Method are inaccurate for small aperture downlights. They are theoretical calculations derived for large surfaces such as troffers.

Brightness

Number	Lamps	85°	75°	65°	55°	45°
P953	One 32W Philips Triple Tube	6	14	29	1050	9318
	One 32W Osram Triple Tube	7	18	32	895	10000
	One 42W Philips Triple Tube	8	19	40	1413	12545
	One 42W Osram Triple Tube	9	25	44	1234	13794

Data in footlamberts. Photometer readings, Maximum Brightness Method. See note 8.