

Featuring Virtual Source Reflectors

New Construction

TBXICEB

Commercial Compact
Fluorescent Downlight
Airshield, IC Rated
120V-277V

DATE: _____ TYPE: _____

FIRM NAME: _____

PROJECT: _____

LiteBox® 6"

Aperture: Nominal 6"

Ceiling Cutout: 6³/₄"

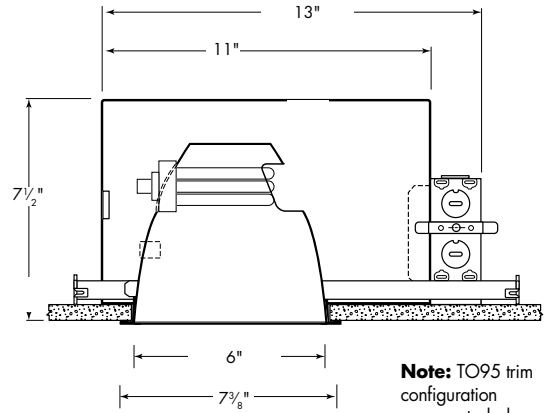
Maximum Ceiling Thickness: 1¹/₂"

Width: 9¹/₂"

For conversion to millimeters,

multiply inches by 25.4

Not to Scale



Note: TO95 trim configuration represented above. Configurations differ by trim.

APPLICATIONS:

Suitable for new construction in direct contact with insulation. The TBXICEB utilizes a triple tube compact fluorescent lamp, providing good lumen output and excellent lumens per watt. The TBXICEB is ideal for applications that require high efficiency, including office buildings, retail and hospitality spaces, restaurants, and residentially in kitchens and bathrooms.

OPTICS/REFLECTOR:

Trims use single spring retention system to fit snug to the ceiling plane, eliminating unwanted light leaks and sagging over time. Most trims are made of diecast aluminum and reflectors are Alzak processed, eliminating the risk of yellowing, cracking or warping. TO95 and TW95 feature Virtual Source optics. The TBXICEB utilizes Prescolite's Air Shield trim series, virtually eliminating airflow between the trim and the housing. Look for trims marked with the Air Shield symbol on the reverse side.

LAMP/SOCKET:

Use one (1) 26W (GX24q-3 base) or 32W (GX24q-3 base) 4-pin triple tube compact fluorescent lamp. Vertical or horizontal lamp orientation, depending on trim. Socket snaps into trim carrier to place lamp in proper position ensuring consistent appearance and performance. Refer to trim for specific lamp information. Lamps furnished by others. Use only OS-RAM and GE lamps.

BALLAST:

One (1) compact fluorescent class "P" electronic ballast suitable for operating 26W or 32W triple tube lamps (see trim for lamp compatibility). Ballast accommodates 120V-277V and is accessible from below ceiling. The ballast thermal protection prevents fixture from overheating when improperly installed or over-lamped. See reverse side for additional ballast information.

INSTALLATION:

Self-aligning bar hangers with integral forked nailing prongs allow for nail-less installation. Locking T-bar notch accommodates T-bar ceiling and expands to 27" for 24" joist spacing.

HOUSING:

22 ga. C.R.S. housing. Two (2) 22 ga. snap-on covers provide easy access.

LABELS:

UL listed or UL/CSA listed with CDN option for all ceiling types, including direct contact with insulation. U.L. listed for damp locations and through wiring. U.L. listed for wet locations when used with lensed (TL) trims. Consult factory for N.Y. City approval.

J-BOX:

Prewired 18 ga. galvanized steel junction box with preinstalled ground wire and integral Romex connector. J-box is accessible from below ceiling through removable housing end panel.

CATALOG NUMBER:

EXAMPLE: TBXICEB-TL33P-WSEC

HOUSING OPTIONS & TRIMS	OPTIONS	TRIMS	TRIMS	ACCESSORIES	ACCESSORIES
<input type="checkbox"/> TBXICEB	<input type="checkbox"/> CDN Canadian Electrical code compliant ballast disconnect	<i>LENSED</i> <input type="checkbox"/> TL42 <i>OPEN</i> <input type="checkbox"/> TO45 <input type="checkbox"/> TO8 <input type="checkbox"/> TO95BF <input type="checkbox"/> TO95S	<i>WALL WASH</i> <input type="checkbox"/> TW95S	<input type="checkbox"/> MGR Metal "goof" rings. White metal trim ring covers oversized ceiling cutout. Specify outside dimension and trim catalog number. <input type="checkbox"/> PKT301 T-bar clips. <input type="checkbox"/> SCA7 Sloped ceiling adaptor for LiteBox trims. Specify degree of slope and ceiling type. Not recommended for wall wash (TW) trims. Sloped ceiling adaptor and housing must be installed at the same time.	<input type="checkbox"/> TCA1 Thick ceiling adaptor allows for use of LiteBox trims in ceilings 1 ¹ / ₂ " to 2 ¹ / ₂ " thick. Install prior to housing installation. <input type="checkbox"/> WSEC Package of twelve (12) gaskets to meet W.S.E.C. requirements for Air Shield applications.

Lensed

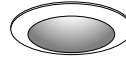
Wet Location Approved



TL42

Max. 26W horizontal triple tube.
Shower trim with fresnel glass lens and upper clear Alzak reflector.

Open



TO4 (S)

Max. 26W vertical triple tube.
Clear (S) Alzak reflector.



TO8

Max. 26W or 32W vertical triple tube.
White reflector trim.



TO95 (S)

Max. 26W horizontal triple tube.
Specular clear (S) Alzak reflector with Virtual Source® optics.



TO95 (BF)

Max. 26W horizontal triple tube.
Specular clear upper reflector with lower black (BF) baffle and Virtual Source optics.

Wall Wash



TW95S

Max. 26W horizontal triple tube.
Wall wash downlight with clear Alzak reflector and Virtual Source optics.

Denotes Air Shield Ready when gaskets in W.S.E.C. kit are used on the socket (or caulking in field is done).

Denotes Air Shield (gaskets or caulking are not required).

Denotes the trim is interchangeable with IBX, PBX and RMN housings.

Denotes trim featuring Virtual Source optics.

PHOTOMETRIC DATA

LiteBox® – TBXICEB Compact Fluorescent

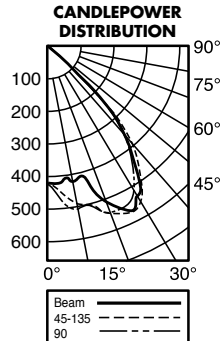
BALLAST DATA

Trim Catalog Number	Ballast Factor	Amps	Watts
TBXICEB 26W, 120V	.98	.22	26
TBXICEB 32W, 120V	.98	.30	32

T095S Triple Tube Compact Fluorescent Downlight with Specular Clear Alzak Reflector

One 26W
Spacing Criteria = 1.5
Efficiency = 46.4%

Angle	90°	45°	0°
0	424	424	424
5	473	454	421
15	502	513	413
25	539	565	554
35	436	481	458
45	174	221	200
55	0	0	0
65	0	0	0
75	0	0	0
85	0	0	0



COEFFICIENTS OF UTILIZATION Zonal Cavity Method

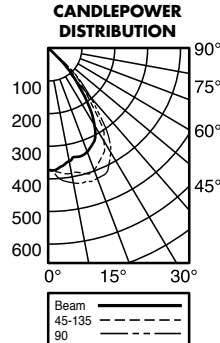
Room Cavity Ratio	% Effective Ceiling Cavity Reflectance										
	80%	70%	50%	30%	10%						
	20% Effective Floor Cavity Reflectance										
% Wall Reflectance											
	70	50	30	10	70	50	30	10	50	30	10
1	.53	.51	.50	.49	.47	.46	.46	.44	.45	.45	.44
2	.50	.48	.46	.45	.44	.43	.42	.41	.40	.39	.38
3	.47	.45	.42	.40	.38	.36	.34	.33	.32	.31	.30
4	.45	.42	.39	.37	.35	.33	.31	.30	.29	.28	.27
5	.43	.39	.36	.34	.32	.30	.28	.27	.26	.25	.24
6	.40	.36	.33	.31	.29	.27	.25	.24	.23	.22	.21
7	.38	.33	.30	.28	.26	.24	.22	.21	.20	.19	.18
8	.35	.31	.28	.26	.24	.22	.20	.19	.18	.17	.16
9	.33	.28	.25	.23	.21	.19	.17	.16	.15	.14	.13
10	.31	.26	.23	.21	.19	.17	.15	.14	.13	.12	.11

Test No. PL5278

T095BF Triple Tube Compact Fluorescent Downlight with Clear Upper Reflector and Lower Black Baffle

One 26W
Spacing Criteria = 1.1
Efficiency = 31.3%

Angle	90°	45°	0°
0	374	374	374
5	406	383	367
15	426	398	343
25	418	371	320
35	297	266	211
45	133	113	71
55	4	4	0
65	0	0	0
75	0	0	0
85	0	0	0



COEFFICIENTS OF UTILIZATION Zonal Cavity Method

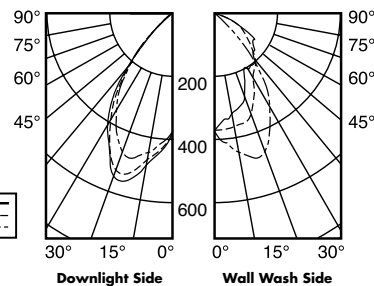
Room Cavity Ratio	% Effective Ceiling Cavity Reflectance										
	80%	70%	50%	30%	10%						
	20% Effective Floor Cavity Reflectance										
% Wall Reflectance											
	70	50	30	10	70	50	30	10	50	30	10
1	.36	.35	.34	.33	.32	.31	.31	.30	.29	.29	.28
2	.34	.33	.31	.30	.29	.28	.27	.26	.25	.24	.23
3	.32	.30	.29	.28	.27	.26	.25	.24	.23	.22	.21
4	.31	.28	.27	.26	.25	.24	.23	.22	.21	.20	.19
5	.29	.27	.25	.23	.22	.21	.20	.19	.18	.17	.16
6	.28	.25	.23	.22	.21	.20	.19	.18	.17	.16	.15
7	.26	.23	.21	.20	.19	.18	.17	.16	.15	.14	.13
8	.25	.22	.20	.18	.17	.16	.15	.14	.13	.12	.11
9	.23	.20	.18	.17	.16	.15	.14	.13	.12	.11	.10
10	.22	.19	.17	.15	.14	.13	.12	.11	.10	.09	.08

Test No. PL5540Y

TW95S Triple Tube Compact Fluorescent Wall Wash Downlight with Clear Alzak Reflector

One 26W
Spacing Criteria = 0.9
Efficiency = 38%

CANDLEPOWER DISTRIBUTION



CONTRIBUTION FROM SINGLE UNIT					CONTRIBUTION FROM 5 UNITS			
1'	2'	3'	4'	Center Unit	Center Unit	Adjacent Unit	Center Unit	Adjacent Unit
UNITS ON 2' CENTER					UNITS ON 3' CENTER			
1	17	11	3	1	0	23	22	23
2	15	13	6	2	1	28	30	29
3	9	8	5	2	1	20	20	21
4	5	4	4	2	1	13	14	14
5	3	3	3	2	1	10	11	11
6	2	2	2	2	1	8	8	9
7	2	2	1	1	1	6	6	6
8	1	1	1	1	1	5	5	5
9	1	1	1	1	1	4	4	4
10	1	1	1	1	1	3	3	3
11	0	0	0	0	0	2	2	2
12	0	0	0	0	0	2	2	2

CONTRIBUTION FROM SINGLE UNIT					CONTRIBUTION FROM 5 UNITS			
1'	2'	3'	4'	Center Unit	Center Unit	Adjacent Unit	Center Unit	Adjacent Unit
UNITS ON 3' CENTER					UNITS ON 4' CENTER			
1	3	3	2	1	0	5	4	5
2	10	8	5	2	1	15	14	14
3	7	7	5	3	1	13	13	12
4	5	5	4	3	1	11	10	10
5	3	3	3	2	1	8	8	8
6	2	2	2	2	1	6	6	6
7	2	2	2	1	1	5	5	5
8	1	1	1	1	1	5	4	4
9	1	1	1	1	1	4	4	4
10	1	1	1	1	1	3	3	3
11	1	1	1	1	1	3	3	2
12	0	0	1	0	0	2	2	2

2' DISTANCE FIXTURE MOUNTED OUT FROM WALLS

3' DISTANCE FIXTURE MOUNTED OUT FROM WALLS

FOOTCANDLE DISTRIBUTION ON WALL SURFACE

FOOTCANDLE DISTRIBUTION ON WALL SURFACE

DISTANCE FROM CEILING IN FEET	2' DISTANCE FIXTURE MOUNTED OUT FROM WALLS					3' DISTANCE FIXTURE MOUNTED OUT FROM WALLS					
	1'	2'	3'	4'	Center Unit	Center Unit	Adjacent Unit	Center Unit	Adjacent Unit		
1	17	11	3	1	0	23	22	23	18	12	18
2	15	13	6	2	1	28	30	29	20	19	19
3	9	8	5	2	1	20	20	21	13	15	13
4	5	4	4	2	1	13	14	14	10	10	9
5	3	3	3	2	1	10	11	11	8	8	7
6	2	2	2	2	1	8	8	9	6	6	6
7	2	2	1	1	1	6	6	6	5	5	5
8	1	1	1	1	1	5	5	5	4	4	4
9	1	1	1	1	1	4	4	4	3	3	3
10	1	1	1	1	1	3	3	3	2	2	2
11	0	0	0	0	0	2	2	2	2	2	2
12	0	0	0	0	0	2	2	2	2	2	2

DISTANCE FROM CEILING IN FEET	2' DISTANCE FIXTURE MOUNTED OUT FROM WALLS					3' DISTANCE FIXTURE MOUNTED OUT FROM WALLS					
	1'	2'	3'	4'	Center Unit	Center Unit	Adjacent Unit	Center Unit	Adjacent Unit		
1	3	3	2	1	0	5	4	5	4	3	4
2	10	8	5	2	1	15	14	14	12	10	12
3	7	7	5	3	1	13	13	12	12	10	12
4	5	5	4	3	1	11	10	10	10	10	10
5	3	3	3	2	1	8	8	8	8	8	8
6	2	2	2	2	1	6	6	6	6	6	6
7	2	2	2	1	1	5	5	5	5	5	5
8	1	1	1	1	1	5	4	4	4	4	4
9	1	1	1	1	1	4	4	4	4	4	3
10	1	1	1	1	1	3	3	3	3	3	3
11	1	1	1	1	1	3	3	2	3	3	2
12	0	0	1	0	0	2	2	2	2	2	2

Test No. PL5543

Test No. PL5543