

New Construction

IBX13ICAT IBX26ICAT

One 13W Quad CFL or
One 13W/26W Triple Tube CFL
AirShield™ Rated, IC Rated 120V

APPLICATIONS:

Suitable for new construction where insulation is present, including residentially in a single story home or on the second level of a two story home; or commercially in spaces such as offices, single story retail, and hospitality environments. The IBX13ICAT and IBX26ICAT comply with requirements for AirShield™ applications.

AIR TIGHT REQUIREMENTS:

The IBX26ICAT is AirShield rated in compliance with ASTM E283 and the Washington State Energy Code (WSEC).

REFLECTOR:

Trims are retained by a torsion spring shipped integral with IBX13ICAT and IBX26ICAT, and have a positive upward spring action to ensure a snug fit to the ceiling plane, eliminating unwanted light leak and sagging over time. Trims come standard with a painted white trim ring.

LAMP/SOCKET:

Use one 13W (G24q-1 base or GX24q-1 base) quad or triple tube lamp for IBX13ICAT, and one 26W (GX24q-3 base) triple tube lamp for IBX26ICAT. Socket snaps into trim carrier to place lamp in proper position ensuring consistent appearance and performance. Refer to trim for specific lamp information. Lamps furnished by others.

INSTALLATION:

Pro-Nail™ bar hangers with integral real nail compatible with common joist systems and materials. Joist alignment tab for rapid and consistent positioning and convenient nail removal features for easy re-positioning. Integral snap-on T-bar grip-lock feature and rigid 24" telescoping bar hanger design. Auxiliary mounting points for additional

fasteners or wire suspension to structure. Bar hangers are captive with positive extension stop and locking feature to fix position, and can be reoriented 90° to housing optional sheet metal screw for steel construction with SBH housing option.

HOUSING:

Galvanized steel housing with full wrap-around plaster frame. Housing adjusts from 1/2" to 1 1/2" thick ceilings. Notched mounting frame for easy alignment. Housing includes knock out free integral Romex clamps, overspray protection, universal J-box with snap-out sides, 1/2" and 3/4" knock outs for rigid or BX fittings, thermal protector, and a grounding pigtail. Removable K.O. for remodel use (plaster flange clips required). Removable housing for field inspection of wiring. NPF 120V electronic ballast is located inside junction box (13W only).

LABELS:

IC rated. UL, CUL listed for damp location and through wiring. Wet location when used with certain trims. Thermally protected. AirShield™ rated. WSEC compliant.

DATE: _____ TYPE: _____

FIRM NAME: _____

PROJECT: _____

LiteBox 6"

Aperture: Nominal 6"

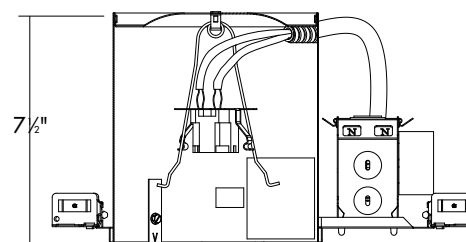
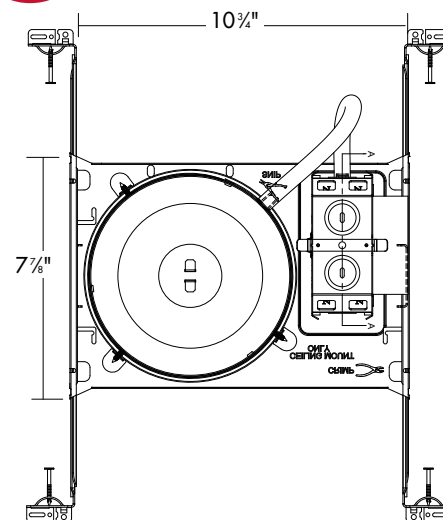
Ceiling Cutout: 6 7/8"

Maximum Ceiling Thickness: 1 1/2"

For conversion to millimeters, multiply inches by 25.4

Not to Scale

Featuring



CATALOG NUMBER:

EXAMPLE: IBX13ICAT-TL64

| HOUSING | HSG. OPTIONS — TRIMS | TRIMS | TRIMS | TRIMS — | ACCESSORIES |
|--|---|--|---|---|--|
| <input type="checkbox"/> IBX13ICAT 6" 13W IC air-tight w/ nail bar hanger <input type="checkbox"/> IBX26ICAT 6" 26W IC air-tight w/ nail bar hanger | <input type="checkbox"/> SBH Screw Bar Hanger | BAFFLE <input type="checkbox"/> TB60 <input type="checkbox"/> TBW60 <input type="checkbox"/> TB61 <input type="checkbox"/> TBW61 <input type="checkbox"/> TB62 <input type="checkbox"/> TBW62 | LENSED <input type="checkbox"/> TL60¹ <input type="checkbox"/> TL61^{1,2} <input type="checkbox"/> TL63² <input type="checkbox"/> TL64^{1,2} | OPEN <input type="checkbox"/> TO6 <input type="checkbox"/> TO60B <input type="checkbox"/> TO60C <input type="checkbox"/> TO60G <input type="checkbox"/> TO61 <input type="checkbox"/> TO62 | WALL WASH <input type="checkbox"/> TW61WBF <input type="checkbox"/> G6 Ceiling gasket for 6" line voltage trim. Ceiling gasket seals housing to drywall opening as an option for Washington State Energy Code (WSEC) compliance. |

¹ Not available with 26W quad or triple tube lamp
² Available with 13W quad tube lamp only

TRIMS & FINISHES

LiteBox® 13W/26W - Compact Fluorescent

Note: All trims accept both 13W quad and triple tube or 26W triple tube 4-pin compact fluorescent lamps except where indicated.
All trims are 7³/₄" O.D. except where indicated.

Baffle



TB60
Stepped black baffle.



TBW60
Stepped white baffle.



TB61
Splay black baffle.



TBW61
Splay white baffle.



TB62
Deep black stepped baffle.
O.D. 8³/₄" dia.



TBW62
Deep white stepped baffle.
O.D. 8³/₄" dia.

Lensed



TL60¹
Shower trim with dropped opal glass lens. Non-metallic flange. Wet location approved.



TL61¹
Shower trim with dropped opal glass lens. O.D. 8-1¹/₄" dia. Wet location approved.



TL63²
Domed polycarbonate shower trim. O.D. 8¹/₄" dia. Wet location approved.



TL64¹
White albalite flush glass lensed trim. Metal flange. Wet location approved.

Open



TO6
White cone.



TO60B
Black Alzak reflector.



TO60C
Specular clear Alzak reflector.



TO60G
Specular gold Alzak reflector.



TO61
White open splay.



TO62
White open trim. Metal flange.

Wall Wash




TW61WBF
White baffle wall wash.

¹ Not available with 26W quad or triple tube lamp
² Available with 13W quad tube lamp only.

Note:
The use of 26W Quad lamps may protrude down below the bottom edge of the open trims

 Denotes AirShield™ capability with IBXICAT. Refer to www.prescolite.com for photometrics.

 UL listed for wet locations.

Refer to www.prescolite.com for photometrics.