



New Construction BX4-120

Line Voltage
Incandescent Downlight
One PAR-16 or PAR-20/R-20 Lamp
Non-IC Rated
120V

APPLICATIONS:

Suitable for new construction where insulation is not present or is spaced 3" away. The BX4-120 is ideal for applications that require a small, concealed source to maintain a clean ceiling plane. Specify the BX4-120 to accent items of interest in single level retail spaces, hospitality environments, residentially in bedrooms, living rooms, foyers, and hallways, or to supplement the general illumination in commercial spaces.

OPTICS/REFLECTOR:

Trims feature three simple spring retention clips to ensure a snug fit to the ceiling plane, eliminating unwanted light leak, and sagging over time. All trims are made of high quality stamped steel and have an integral trim flange. Reflectors are anodized to reduce the risk of yellowing, cracking, or warping. Matte white trim ring standard.

LAMP/SOCKET:

Socket snaps into trim carrier to place lamp in proper position ensuring consistent appearance and performance. Porcelain socket with brass or copper screwshell. Thermal protector prevents fixture from overheating when improperly installed or over-lamped. Refer to trim for specific lamp information. Lamps furnished by others.

INSTALLATION:

Pro-Nail™ bar hangers with integral real nail compatible with common joist systems and materials. Joist alignment tab for rapid and consistent positioning and convenient nail removal features for easy re-positioning. Integral snap-on T-bar grip-lock feature and rigid 24" telescoping bar hanger design. Auxiliary mounting points for additional fasteners or wire suspension to structure. Bar hangers are captive with positive extension stop and locking feature to fix position, and can be reoriented 90° to housing. Optional sheet metal screw for steel construction with SBH housing option.

HOUSING:

Aluminum housing adjusts vertically to accommodate ceilings up to 2½" thick. Two (2) snap-on covers provide easy access to splices. Integral Romex clamp.

J-BOX:

Prewired steel junction box with pre-installed ground wire. Housing may be removed from plaster frame after installation to provide access to J-box.

LABELS:

U.L. approved for all ceiling types. Insulation, if present, must be spaced 3" away from housing. U.L. and CUL listed for damp locations and through wiring. Thermally protected.

DATE: _____ TYPE: _____

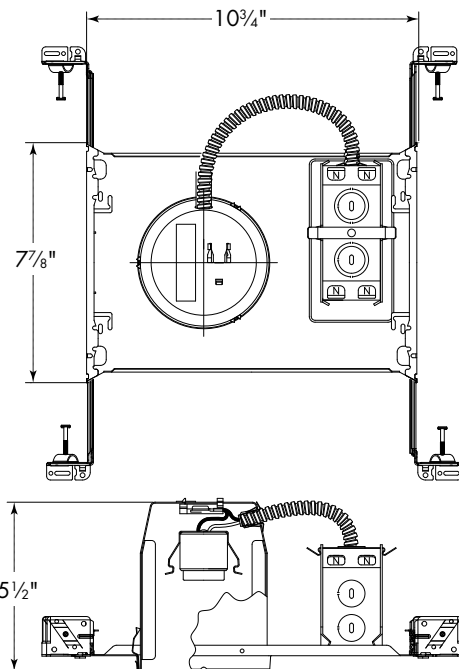
FIRM NAME: _____

PROJECT: _____



Aperture: Nominal 4"
Ceiling Cutout: 4½"
Maximum Ceiling Thickness: 2½"
For conversion to millimeters,
multiply inches by 25.4
Not to Scale

Featuring



CATALOG NUMBER:

EXAMPLE: BX4-120-TA120C

HOUSING	HOUSING OPTIONS	TRIMS	TRIMS	TRIMS	TRIMS	ACCESSORIES
<input type="checkbox"/> BX4-120 4", Non-IC w/ nail bar hanger	<input type="checkbox"/> SBH Screw bar hanger	ADJUSTABLE <input type="checkbox"/> TA120C <input type="checkbox"/> TA120E	ADJUSTABLE BAFFLE <input type="checkbox"/> TA120BF <input type="checkbox"/> TA120WBF	ADJUSTABLE WALL WASH <input type="checkbox"/> TA120WW	OPEN <input type="checkbox"/> TO120 OPEN SHOWER <input type="checkbox"/> TO120WL¹	<input type="checkbox"/> ICBOX Recessed enclosure for IC applications. Refer to specification sheet FT-INC-005

¹Indoor/Outdoor lamp required.

Adjustable



TA120C
Specular clear Alzak reflector with 360°H x 20°V adjustment.
Max. 45W PAR-16, 50W PAR-20/R-20



TA120E
Eyeball, white interior with 360°H x 20°V adjustment.
Max. 75W PAR-16, 50W PAR-20

Adjustable Baffle



TA120BF
Black spun baffle with 360°H x 20°V adjustment.
Max. 45W PAR-16, 50W PAR-20/R-20



TA120WBF
White spun baffle with 360°H x 20°V adjustment.
Max. 45W PAR-16, 50W PAR-20/R-20

Adjustable Wall Wash



TA120WW
Wall washer with spun black baffle with 360°H x 20°V adjustment.
Max. 30W R-20

Open



TO120
White open trim. Metal flange.
Max. 75W R-20, 50W PAR-20



TO120WL
White open trim. Metal flange. Wet location approved.
Max. 50W PAR-20
Indoor/Outdoor lamp required.

Refer to www.prescolite.com for photometrics.