

New Construction IBX4-120

Line Voltage
Incandescent Downlight
One PAR-16 or PAR-20/R-20 Lamp
Air Shield™
IC Rated
120V

DATE: _____ TYPE: _____

FIRM NAME: _____

PROJECT: _____



Aperture: 4"
Ceiling Cutout: 4½"
Maximum Ceiling Thickness: 2½"
For conversion to millimeters,
multiply inches by 25.4
Not to Scale

Featuring



APPLICATIONS:

Suitable for new construction in direct contact with insulation. The economy priced IBX4-120 is ideal for applications that require a small, concealed source to maintain a clean ceiling plane. Specify the IBX4-120 to accent items of interest in single level retail spaces, hospitality environments, residentially in bedrooms, living rooms, foyers, and hallways, or to supplement the general illumination in commercial spaces.

AIR TIGHT REQUIREMENTS:

The IBX4-120 is Air Shield™ rated in compliance with ASTM E283 and the Washington State Energy Code (W.S.E.C.) when used with the G4 ceiling gasket.

OPTICS/REFLECTOR:

Trims feature three simple spring retention clips to ensure a snug fit to the ceiling plane, eliminating unwanted light leak, and sagging over time. All trims are made of high quality stamped steel and have an integral trim flange. Reflectors are anodized to reduce the risk of yellowing, cracking or warping. Matte white trim ring standard.

LAMP/SOCKET:

Porcelain socket with brass or copper screw shell snaps into trim carrier to place lamp in proper position ensuring consistent appearance and performance. Thermal protector prevents fixture from overheating when improperly installed or over-lamped. Refer to trim for specific lamp information. Lamp furnished by others.

INSTALLATION:

Pro-Nail™ bar hangers with integral real nail compatible with common joist systems and materials. Joist alignment tab for rapid and consistent positioning and convenient nail removal features for easy re-positioning. Integral snap-on T-bar grip-lock feature and rigid 24" telescoping bar hanger design. Auxiliary mounting points for additional fasteners or wire suspension to structure. Bar hangers are captive with positive extension stop and locking feature to fix position, and can be reoriented 90° to housing. Optional sheet metal screw for steel construction with SBH housing option.

HOUSING:

Aluminum housing adjusts vertically to accommodate ceilings up to 2½" thick. Two (2) snap-on covers provide easy access to splices. Integral Romex clamp.

LABELS:

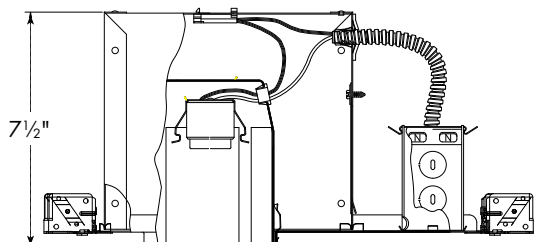
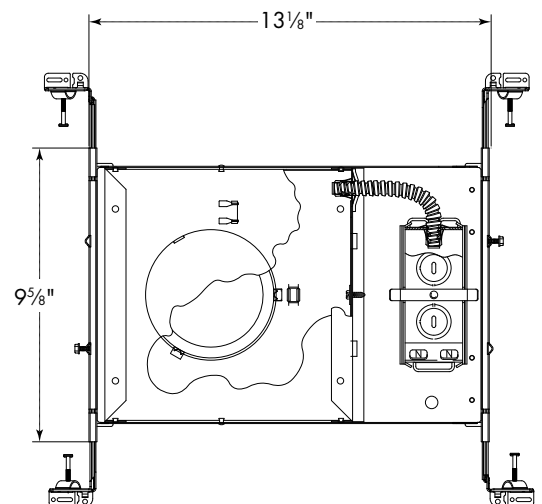
U.L. approved for all ceiling types including direct contact with insulation. U.L. and CUL listed for damp locations and through wiring. Air Shield™ rated. Thermally protected. IC rated.

J-BOX:

Prewired steel junction box with pre-installed ground wire. Housing may be removed from plaster frame after installation to provide access to J-box.

ACCESSORIES:

G4 ceiling gasket seals housing to drywall opening for ASTM E283 and Washington State Energy Code (W.S.E.C.) compliance.



CATALOG NUMBER:

EXAMPLE: IBX4-120-TA120C-G4

HOUSING	HOUSING OPTIONS	TRIMS	TRIMS	TRIMS	TRIMS	ACCESSORIES
<input type="checkbox"/> IBX4-120 4" IC airtight w/ nail bar hanger	<input type="checkbox"/> SBH Screw bar hanger	ADJUSTABLE <input type="checkbox"/> TA120C <input type="checkbox"/> TA120E	ADJUSTABLE BAFFLE <input type="checkbox"/> TA120BF <input type="checkbox"/> TA120WBF	ADJUSTABLE WALL WASH <input type="checkbox"/> TA120WW	OPEN <input type="checkbox"/> TO120 OPEN SHOWER <input type="checkbox"/> TO120WL¹	<input type="checkbox"/> G4 Ceiling gasket for 4" line voltage trim. Ceiling gasket seals housing to drywall opening for Washington State Energy Code (WSEC) compliance.

¹Indoor/Outdoor lamp required.

Adjustable



TA120C
Specular clear Alzak reflector with 360°H x 20°V adjustment.
Max. 75W PAR-16/R-20, 50W PAR-20



TA120E
Eyeball, white interior with 360°H x 20°V adjustment.
Max. 30W R-20

Adjustable Baffle



TA120BF
Black spun baffle with 360°H x 20°V adjustment.
Max. 45W PAR-16, 50W PAR-20/R-20



TA120WBF
White spun baffle with 360°H x 20°V adjustment.

Max. 45W PAR-16, 50W PAR-20/R-20



Adjustable Wall Wash
TA120WW
Wall washer with spun black baffle with



G4
Ceiling gasket for 4" line voltage trims with IBX4-120 housing. Ceiling gasket seals housing to drywall opening for ASTM E23 and Washington State Energy Code (W.S.E.C.) compliance.

Open



TO120
White open trim. Metal flange.
Max. 50W R-20/PAR-20



TO120WL
White open trim. Metal flange.
Wet location approved.
Max. 50W PAR-20
Indoor/Outdoor lamp required.

Denotes Air Shield™ capability with IBX4-120.

Refer to www.prescolite.com for photometrics.