



Remodel Construction

RMN4-120

Line Voltage
Incandescent Downlight
One PAR-16 or PAR-20/R-20 Lamp
Non-IC Rated
120V

DATE: _____ TYPE: _____

FIRM NAME: _____

PROJECT: _____

LiteBox **4"**

Aperture: 4"

Ceiling Cutout: 4½"

Maximum Ceiling Thickness: 1"

For conversion to millimeters,
multiply inches by 25.4

Not to Scale

APPLICATIONS

Designed for quick and easy installation into existing ceiling surfaces where insulation is not present or is spaced 3" away. The RMN4-120 is ideal for remodeling applications that require a small, concealed source to maintain a clean ceiling plane. Specify the RMN4-120 to accent items of interest in retail or hospitality spaces, and residentially in bedrooms, living rooms, foyers, and hallways.

OPTICS/REFLECTOR

Trims feature three simple spring retention clips to ensure a snug fit to the ceiling plane, eliminating unwanted light leak and sagging over time. All trims are made of high quality stamped steel and have an integral trim flange. Reflectors are anodized to reduce the risk of yellowing, cracking or warping. Matte white trim ring standard.

LAMP/Socket

Porcelain socket with brass or copper brass screw shell snaps into trim carrier to place lamp in proper position ensuring consistent appearance and performance. Thermal protector prevents fixture from overheating when improperly installed or over-lamped. Refer to trim for specific lamp information. Lamps furnished by others.

INSTALLATION

Integral housing flange aligns fixture flush with ceiling. Adjustable bars lock unit securely to ceiling. Does not require above ceiling access for installation.

HOUSING

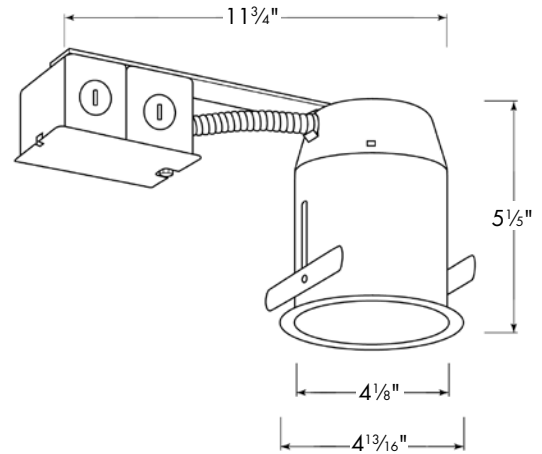
Aluminum housing accommodates ceilings ½" to 1" thick. One (1) cover provides easy access to splices.

LABELS

U.L. approved for all ceiling types. Insulation, if present, must be spaced 3" away from housing. U.L. and CUL listed for damp locations and through wiring (cable only). Thermally protected.

J-BOX

Prewired galvanized steel junction box with preinstalled ground wire.



CATALOG NUMBER:

EXAMPLE: RMN4-120-TA120C

HOUSING	TRIMS	TRIMS	TRIMS	TRIMS	ACCESSORIES
<input type="checkbox"/> RMN4-120	ADJUSTABLE <input type="checkbox"/> TA120C <input type="checkbox"/> TA120E	ADJUSTABLE BAFFLE <input type="checkbox"/> TA120BF <input type="checkbox"/> TA120WBF	ADJUSTABLE WALL WASH <input type="checkbox"/> TA120WW	OPEN <input type="checkbox"/> TO120 OPEN SHOWER <input type="checkbox"/> TO120WL¹	<input type="checkbox"/> ICBOX Recessed enclosure for IC applications. Refer to specification sheet FT-INC-005

¹Indoor/Outdoor lamp required.

Adjustable



TA120C
Specular clear Alzak reflector with 360°H x 20°V adjustment.
Max. 45W PAR-16, 50W PAR-20/R-20



TA120E
Eyeball, white interior with 360°H x 20°V adjustment.
Max. 50 PAR-20, 75W PAR-16

Adjustable Baffle



TA120BF
Black spun baffle with 360°H x 20°V adjustment.
Max. 45W PAR-16, 50W PAR-20/R-20



TA120WBF
White spun baffle with 360°H x 20°V adjustment.
Max. 45W PAR-16, 50W PAR-20/R-20

Adjustable Wall Wash



TA120WW
Wall washer with spun black baffle with 360°H x 20°V adjustment.
Max. 30W R-20

Open



TO120
White open trim. Metal flange. Max. 75W R-20, 50W PAR-20.

Open Shower



TO120WL
White open trim. Metal flange. Wet location approved. Max. 50W PAR-20. Indoor/Outdoor lamp required.

Refer to www.prescolite.com for photometrics.