

New Construction

IBX4-12

Low Voltage
Incandescent Downlight
One MR-16 Lamp
Air Shield/IC Rated
12V

DATE: _____ TYPE: _____

FIRM NAME: _____

PROJECT: _____

LiteBox® **4"**

Aperture: 4"

Ceiling Cutout: 4½"

Maximum Ceiling Thickness: 2½"

For conversion to millimeters,
multiply inches by 25.4

Not to Scale

APPLICATIONS

Suitable for new construction in direct contact with insulation. The priced IBX4-12 is ideal for applications that require low profile, uncluttered ceiling planes and dramatic illumination of featured items such as artwork and furnishings. Specify the IBX4-12 to accent items of interest in commercial office, retail and hospitality spaces, and residentially in bedrooms, living rooms, foyers, and hallways.

AIR TIGHT REQUIREMENTS

The IBX4-12 is Air Shield rated in compliance with ASTM E283 and the Washington State Energy Code (W.S.E.C.) when used with the G4 ceiling gasket.

OPTICS/REFLECTOR

Trims feature three simple spring retention clips to ensure a snug fit to the ceiling plane, eliminating unwanted light leak and sagging over time. All trims are made of high quality stamped steel and have an integral trim flange. Reflectors are anodized to reduce the risk of yellowing, cracking or warping. Matte white trim ring standard.

LAMP/SOCKET

Lamp snaps into the trim carrier, placing the lamp in the proper position to ensure consistent appearance and performance. Thermal protector prevents fixture from overheating when improperly installed or over-lamped. Fixture will cycle on and off until cause of overheating is corrected. Refer to trim for specific lamp information. Lamp furnished by others.

TRANSFORMER

Integral 12V electronic transformer. Transformer is serviceable from below ceiling.

INSTALLATION

Pre-installed bar hangers with integral T-bar mounting clips and nail tab for wood joist construction. Accommodates up to 24" on center ceiling joists. Captive bar hangers will lock to secure housing in place.

HOUSING

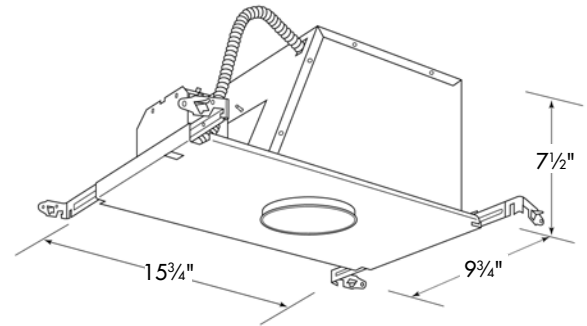
Aluminum housing adjusts vertically to accommodate ceilings up to 2½" thick. Two (2) snap-on covers provide easy access to splices. Integral Romex clamp.

LABELS

U.L. approved for all ceiling types including direct contact with insulation. U.L. and CUL listed for damp locations and through wiring. Air Shield rated. Thermally protected.

J-BOX

Prewired steel junction box with preinstalled ground wire. Housing may be removed from plaster frame after installation to provide access to J-box.



CATALOG NUMBER:

EXAMPLE: IBX4-12-TA12C-G4

HOUSING

TRIMS

TRIMS

ACCESSORIES

IBX4-12

ADJUSTABLE

TA12C

TA12E

TA12PS

ADJUSTABLE BAFFLE

TA12BF

TA12WBF

G4

Ceiling gasket for 4" low voltage trim. Ceiling gasket seals housing to drywall opening for Washington State Energy Code (WSEC) compliance.

Adjustable



TA12C
Specular clear Alzak reflector with
360°H x 30°V adjustment.
Max. 20-50W MR-16, 12V



TA12E
Eyeball, white interior with
360°H x 30°V adjustment.
Max. 20-50W MR-16, 12V



TA12PS
Pinhole spot, spun black baffle cone
with 360°H x 30°V adjustment.
Max. 20-35W MR-16, 12V


Adjustable Baffle



TA12BF
Black spun baffle with
360°H x 30°V adjustment.
Max. 20-50W MR-16, 12V



TA12WBF
White spun baffle with
360°H x 30°V adjustment.
Max. 20-50W MR-16, 12V

 Denotes Air Shield Ready with IBX4-12 when G4 ceiling gasket or caulking in field is done.

Refer to www.prescolite.com for photometrics.