

## New Construction

# SCIBX

Universal 45° Sloped Ceiling  
Incandescent Downlight  
One PAR-30L/BR-30 Lamp  
Air Shield™  
IC Rated  
120V

DATE: \_\_\_\_\_ TYPE: \_\_\_\_\_

FIRM NAME: \_\_\_\_\_

PROJECT: \_\_\_\_\_

**LiteBox®** **6"**

Aperture: Nominal 6"

Ceiling Cutout: 6<sup>7</sup>/<sub>8</sub>"

Maximum Ceiling Thickness: 1<sup>1</sup>/<sub>2</sub>"

For conversion to millimeters,  
multiply inches by 25.4

Not to Scale

### Featuring



#### APPLICATIONS:

Suitable for new construction in direct contact with insulation. The SCIBX was specifically designed for sloped or "cathedral" type ceiling installations with slopes 0° to 45° (0/12 to 12/12 pitch). The SCIBX is ideal for commercial and residential lighting projects.

#### AIR TIGHT CLASSIFICATION:

The SCIBX is Air Shield™ rated in compliance with ASTM E283 and the Washington State Electrical Code (W.S.E.C.).

#### OPTICS/REFLECTOR:

Trims feature simple spring retention to ensure a snug fit to the ceiling plane, eliminating unwanted light leaks, and sagging over time. Trims are made of high quality diecast aluminum. Matte-white die-cast trim-ring standard.

#### LAMP/SOCKET:

Porcelain socket with brass or copper screw shell attaches to adjustable yoke bracket, placing lamp in proper position and ensuring consistent appearance and performance. Thermal protector prevents fixture from overheating when improperly installed or over-lamped. Refer to trim for specific lamp information. Lamp furnished by others.

#### INSTALLATION:

Pro-Nail™ bar hangers with integral real nail compatible with common joist systems and materials. Joist alignment tab for rapid and consistent positioning and convenient nail removal features for easy re-positioning. Integral snap-on T-bar grip-lock feature and rigid 24" telescoping bar hanger design. Auxiliary mounting points for additional fasteners or wire suspension to structure. Bar hangers are captive with positive extension stop and locking feature to fix position, and can be reoriented 90° to housing. Optional sheet metal screw for steel construction with SBH housing option.

#### HOUSING:

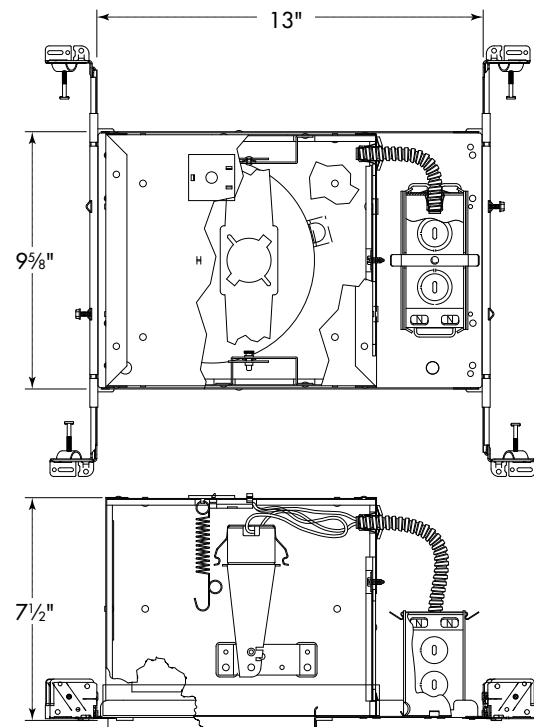
Aluminum housing adjusts vertically to accommodate ceilings up to 3/4" thick. Two (2) snap-on covers provide easy access to splices. Integral Romex clamp.

#### LABELS:

U.L. approved for all ceiling types including direct contact with insulation. U.L. and CUL listed for damp locations and through wiring. Thermally protected. Air Shield™ rated. W.S.E.C. compliant.

#### J-BOX:

Prewired steel junction box with screw-lock door and preinstalled ground wire.



CATALOG NUMBER:

EXAMPLE: SCIBX-TSC6BF

HOUSING	HOUSING OPTIONS	TRIMS	ACCESSORIES
<input type="checkbox"/> <b>SCIBX</b> 6" IC rated, w/ nail bar hanger, Air Shield™ rated	<input type="checkbox"/> <b>SBH</b> Screw bar hanger	<b>BAFFLE TRIMS</b> <input type="checkbox"/> <b>TSC6BF</b> <input type="checkbox"/> <b>TSC6WBF</b>	<input type="checkbox"/> <b>G6</b> Ceiling gasket for 6" sloped ceiling housing SCIBX. Ceiling gasket seals housing to drywall opening as an option for Washington State Energy Code (W.S.E.C.) compliance.

## Baffle



### TSC6BF

Black die cast baffle.  
SCIBX/SCRMNIC  
IC: 75W PAR30L; 65W BR30  
NON IC: 75W PAR30L; SCRMN 65W BR30



### TSC6WBF

White die cast baffle.  
SCIBX/SCRMNIC  
IC: 75W PAR30L; 65W BR30  
NON IC: 75W PAR30L; SCRMN 65W BR30



## G6

### 6" Ceiling Gasket

Ceiling gasket for 6" sloped ceiling housing. Ceiling gasket seals housing to drywall opening as an option for ASTM E283 and Washington State Energy Code (W.S.E.C.) Compliance.

Refer to [www.prescolite.com](http://www.prescolite.com) for photometrics.