



Featuring VirtualSource vs Reflectors

8" Direct Pendant Mount Cylinder

CF8P26TEB CF8P32TEB CF8P42TEB

One 26W, 32W, or 42W CFL
Triple Tube 4-Pin Lamp
120V–277V or 347V

DATE: _____ TYPE: _____

FIRM NAME: _____

PROJECT: _____

LiteForms™

For conversion to millimeters,
multiply inches by 25.4
Not to Scale

APPLICATIONS:

The CF8P is an 8" pendant mounted cylinder with superior brightness and glare control. The CF8P is ideal for a wide variety of commercial, retail, hospitality and institutional applications where the added energy savings of compact fluorescent sources is required.

HOUSING:

.064" extruded aluminum cylinder featuring durable powder coat painted finish. 52° hang straight canopy furnished standard with a 15" pendant. Stems can be field cut and are available in custom lengths*. Specify: brushed aluminum, matte black, bronze, matte white or Prescolite's exclusive Zet, metallic silver.

REFLECTOR:

Specify clear, champagne gold Alzak, or black baffle reflector. Virtual Source® optical system provides excellent glare and brightness control for visual comfort.

BALLAST:

One (1) 26W/32W/42W compact fluorescent Class 'P' electronic ballast. High power factor standard.

LAMP:

One (1) 26W (GX24q-3 base), 32W (GX24q-3 base), or 42W (GX24q-4 base) 4-pin triple tube compact fluorescent lamp. Lamp furnished by others.

SOCKET:

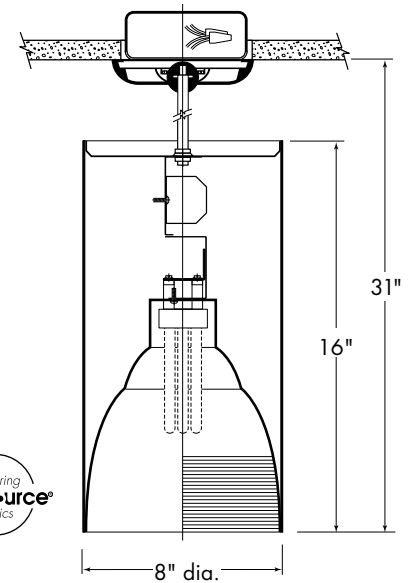
One (1) injection molded socket. Reflector/socket mounting bracket factory set for specified wattage.

INSTALLATION:

Easy installation onto standard J-box.

LABELS:

UL listed or UL/CSA listed with CDN option for damp locations



* Stems available in 1/2" increments

CATALOG NUMBER:

EXAMPLE: CF8P42TEBCRBZ

CYLINDERS	CYLINDER OPTIONS	CYLINDER OPTIONS	REFLECTOR FINISHES	CYLINDER FINISHES
<input type="checkbox"/> CF8P26TEB 8" Direct pendant mount cylinder, 26W CFL triple, electronic ballast <input type="checkbox"/> CF8P32TEB 8" Direct pendant mount cylinder, 32W CFL triple, electronic ballast <input type="checkbox"/> CF8P42TEB 8" Direct pendant mount cylinder, 42W CFL triple, electronic ballast	<input type="checkbox"/> CDN Canadian electrical code compliant ballast disconnect <input type="checkbox"/> CDN 347V⁴ Canadian electrical code compliant ballast disconnect <input type="checkbox"/> MW26 Max Wattage label, 26W <input type="checkbox"/> MW32 Max Wattage label, 32W <input type="checkbox"/> MW42 Max Wattage label, 42W <input type="checkbox"/> SYL³ Osram Sylvania Ballast (available only for standard EB option) <input type="checkbox"/> DM Electronic dimming ballast (contact factory for wall control system compatibility)	<input type="checkbox"/> 7DM Advance Mark 7 Dimming Ballast to 5%, 4-wire, 0-10V, analog (120V–277V) <input type="checkbox"/> XDM¹ Advance Mark 10 Dimming Ballast to 5%, 2-wire line voltage <input type="checkbox"/> ECDM Lutron EcoSystem or 3-wire line voltage dimming ballast (120-277V). Dims to 5%. <input type="checkbox"/> HDM^{1,2} Lutron Hi-Lume Dimming Ballast to 1%, 3-wire low voltage <input type="checkbox"/> 2DM¹ Lutron Tu-Wire Dimming Ballast to 5%, 2-wire line voltage (120V) <input type="checkbox"/> SMT Philips Advance SmartMate® ballast	<input type="checkbox"/> BB Black Baffle <input type="checkbox"/> CR Clear Alzak <input type="checkbox"/> CG Champagne gold	<input type="checkbox"/> BA Brushed aluminum <input type="checkbox"/> BL Matte black <input type="checkbox"/> BZ Bronze <input type="checkbox"/> WH Matte white <input type="checkbox"/> Z "Zet" metallic silver Special Reflector Finishes: Refer to specification sheet #LFO-CFL-026 for reflector capabilities

1. Specify voltage and wattage
2. Not available in 42W
3. Available for Osram Sylvania Quick 60+® Limited Warranty when used with Osram lamp(s). See www.prescolite.com for details.
4. Dimming not available for 347V.

prescolite
A Division of Hubbell Lighting, Inc.

In a continuing effort to offer the best product possible we reserve the right to change, without notice, specifications or materials that in our opinion will not alter the function of the product.
Web: www.prescolite.com • Tech Support: (888) 777-4832

LFO-CFL-004

PHOTOMETRIC DATA

LiteForms™ - 8" Direct Pendant Mount Cylinder CF8P26TEB/CF8P32TEB/CF8P42TEB

BALLAST DATA

	26W			32W			42W		
	120V	277V	347V	120V	277V	347V	120V	277V	347V
Total System Watts	28W	28W	38W	35W	35W	42W	44W	47W	48W
Input Current (Amps)	0.23	0.1	0.11	0.29	0.13	0.12	0.36	0.17	0.14
Input Frequency	50/60Hz	50/60Hz	50/60Hz	50/60Hz	50/60Hz	50/60Hz	50/60Hz	50/60Hz	50/60Hz
Power Factor	>97%	>97%	>97%	>97%	>97%	>97%	>97%	>97%	>97%
Ballast Factor	>98%	>98%	>98%	>98%	>98%	>98%	>98%	>98%	>98%
Total Harmonic Distortion	<10%	<10%	<10%	<10%	<10%	<10%	<10%	<10%	<10%
Minimum Starting Temp.	-18°C (0°F)	-18°C (0°F)	-18°C (0°F)	-18°C (0°F)	-18°C (0°F)	-18°C (0°F)	-18°C (0°F)	-18°C (0°F)	-18°C (0°F)

LAMP DATA

	26W Triple	32W Triple	42W Triple
Rated Watts	1800	2400	3200
Rated Lumens	69	75	76
Efficacy (LPW)	10,000 hours	10,000 hours	10,000 hours
Rated Life	82	82	82
CRI	0° F	0° F	0° F
Minimum Starting Temp.			

LUMINANCE DATA IN CANDELA/SQ. METER

Angle in Vertical	Average 0°	Average 45°	Average 90°
45°	16421	17590	17770
55°	388	998	887
65°	0	0	0
75°	0	0	0
85°	0	0	0

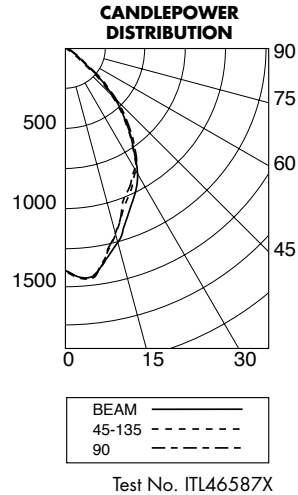
CF8P32TEBCR

One 32W Triple
Spacing Criteria: 1.0
Efficiency: 70.9%

AVERAGE INITIAL FOOTCANDLES

Multiple Units (Square Array)
Ceiling 80% Wall 50% Floor 20%

32W Triple			
SPACING	RCR1	RCR3	RCR7
8.0	24	20	15
9.0	19	16	12
10.0	15	13	9
11.0	13	11	8
12.0	11	9	6



CANDLEPOWER SUMMARY

Angle	0°	45°	90°
0	1397	1397	1397
5	1443	1450	1443
15	1260	1210	1194
25	1012	961	940
35	707	712	707
45	365	391	395
55	7	18	16
65	0	0	0
75	0	0	0
85	0	0	0

COEFFICIENTS OF UTILIZATION

Zonal Cavity Method

Room Cavity Ratio	% Effective Floor Cavity Reflectance																
	80%					70%					50%						
	20% Effective Floor Cavity Reflectance																
	% Wall Reflectance																
	70	50	30	10	70	50	30	10	50	30	10	50	30	10	50	30	10
1	.80	.78	.76	.74	.78	.76	.75	.73	.74	.72	.71	.71	.70	.69	.69	.68	.67
2	.76	.72	.69	.66	.74	.71	.68	.65	.68	.66	.64	.66	.64	.63	.64	.63	.61
3	.71	.66	.62	.59	.70	.65	.62	.59	.63	.60	.58	.62	.59	.57	.60	.58	.56
4	.67	.61	.57	.53	.66	.60	.56	.53	.59	.55	.52	.57	.54	.52	.56	.53	.51
5	.63	.57	.52	.49	.62	.56	.52	.48	.55	.51	.48	.53	.50	.47	.52	.49	.47
6	.59	.52	.48	.44	.58	.52	.47	.44	.51	.47	.44	.50	.46	.43	.49	.46	.43
7	.56	.49	.44	.41	.55	.48	.44	.40	.47	.43	.40	.46	.43	.40	.45	.42	.40
8	.53	.45	.41	.37	.52	.45	.40	.37	.44	.40	.37	.43	.40	.37	.43	.39	.37
9	.50	.42	.38	.35	.49	.42	.38	.34	.41	.37	.34	.41	.37	.34	.40	.37	.34
10	.47	.40	.35	.32	.46	.39	.35	.32	.39	.35	.32	.38	.34	.32	.38	.34	.32

CF8P32TEBCR Test No. ITL46587X

NOTES

⊗ vs Denotes a Virtual Source reflector.

Refer to www.prescolite.com for additional photometric tests (IES Files).



Web: www.prescolite.com • Tech Support: (888) 777-4832
701 Millennium Blvd., Greenville, SC 29607 U.S.A. • Phone (864) 678-1000
Copyright ©2011 Prescolite, Inc., a division of Hubbell Lighting, Inc. All Rights Reserved
Specifications subject to change without notice. • Printed in U.S.A. • LFO:CFL-004 • 7/25/11

