



5" Direct Pendant Mount Cylinder

1122

One 75W PAR30 or BR30 Lamp
120V

DATE: _____ TYPE: _____

FIRM NAME: _____

PROJECT: _____

LiteForms™

For conversion to millimeters,
multiply inches by 25.4
Not to Scale

APPLICATIONS:

The 1122 is a 5" pendant mount cylinder that is properly scaled for use with BR30/ PAR30 lamp sources. The 1122 is suitable for a wide variety of commercial, retail and institutional applications.

HOUSING:

.052" thick seamless extruded aluminum cylinder with durable powder coat paint finish. Specify: brushed aluminum, matte black, bronze, matte white or Prescolite's exclusive Zet, metallic silver. 52° hang straight canopy furnished standard with a 21" pendant. Stems can be field cut and are available in custom lengths.

REFLECTOR:

Specify painted black interior, one-piece milligroove black baffle, black cone, or clear Alzak reflector.

LAMP:

One (1) 75W PAR30 or BR30 lamp. Lamp furnished by others.

SOCKET:

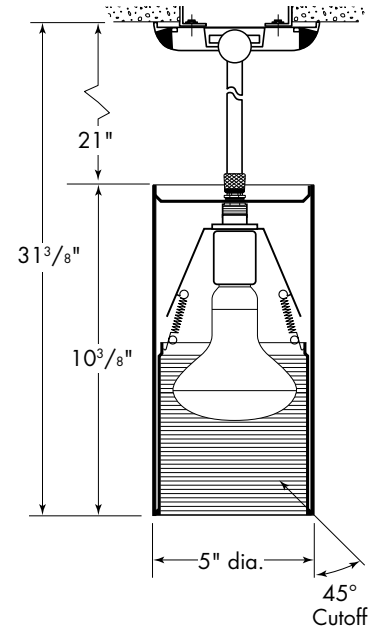
Porcelain socket with nickel plated screw shell.

INSTALLATION:

Easy installation onto standard J-box.

LABELS:

UL, CSA listed for damp locations
Meets insulated ceiling requirements



CATALOG NUMBER:

EXAMPLE: 1122-962BZ

HOUSINGS

FINISH OPTIONS

1122

5" Direct pendant mount cylinder with painted black interior. One 75W PAR30 or BR30

1122-910

5" Direct pendant mount cylinder with black milligroove baffle. One 75W PAR30 or BR30

1122-960

5" Direct pendant mount cylinder with black cone. One 75W PAR30 or BR30

1122-962

5" Direct pendant mount cylinder with clear Alzak reflector. One 75W PAR30 or BR30

BA

Brushed aluminum

BL

Matte black

BZ

Bronze

WH

Matte White

Z

"Zet" metallic silver

Special Reflector

Finishes:

Refer to specification sheet LFO-INC-037 for reflector capabilities



A Division of Hubbell Lighting, Inc.

In a continuing effort to offer the best product possible we reserve the right to change, without notice, specifications or materials that in our opinion will not alter the function of the product.
Web: www.prescolite.com • Tech Support: (888) 777-4832

LFO-INC-004

NOTES

Refer to www.prescolite.com for additional photometric tests (IES Files).



Web: www.prescolite.com • Tech Support: **(888) 777-4832**
701 Millennium Blvd., • Greenville, SC 29607 U.S.A. • Phone (864) 678-1000

Prescolite is a division of Hubbell Lighting, Inc., with representatives' offices throughout North America

Copyright ©2008 Prescolite, All Rights Reserved • Specifications subject to change without notice. • Printed in U.S.A. • LFO-INC-004 • 9/10/08



Hubbell Lighting, Inc.