



5" Direct/Indirect Wall Mount Cylinder 1172

75W PAR30 or BR30 Lamps
120V

DATE: _____ TYPE: _____

FIRM NAME: _____

PROJECT: _____

LiteForms

For conversion to millimeters,
multiply inches by 25.4
Not to Scale

APPLICATIONS:

The 1172 is a 5" direct/indirect wall mount cylinder used to achieve direct/indirect illumination patterns on vertical walls or columns. The fixture is properly scaled for use with PAR30/BR30 lamp sources. The 1172 is suitable for a wide variety of commercial, retail and institutional applications including covered building exteriors, column, and corridor illumination.

HOUSING:

.052" thick seamless extruded aluminum cylinder. Interlocking parts ensure proper cylinder alignment. Durable powder coated paint finish. Specify: brushed aluminum, matte black, bronze, matte white or Prescolite's exclusive Zet, metallic silver.

REFLECTOR:

Specify painted black interior, one-piece milligroove black baffle, black cone, or clear Alzak reflector.

LAMP:

Two (2) 75W PAR20 or R20 lamps. Lamps furnished by others.

SOCKET:

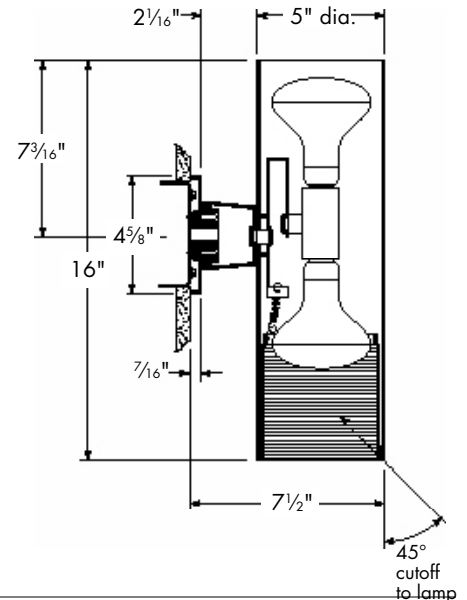
Porcelain double socket with nickel plated screw shell.

INSTALLATION:

Easy installation onto standard J-Box.

LABELS:

UL, CSA listed for damp locations



CATALOG NUMBER: _____

EXAMPLE: 1172-966BZ

HOUSING

- 1172**
5" Direct/indirect wall mount cylinder with painted black interior. Two 75W PAR30 or BR30
- 1172-910**
5" Direct/indirect wall mount cylinder with black milligroove baffle. Two 75W PAR30 or BR30
- 1172-860**
5" Direct/indirect wall mount cylinder with black cone. Two 75W PAR30 or BR30
- 1172-966**
5" Direct/indirect wall mount cylinder with clear Alzak reflector. Two 75W PAR30 or BR30

HOUSING OPTIONS

- G1**
Gasketed tempered glass - top only
- G2**
Gasketed tempered glass - top & bottom

FINISH OPTIONS

- BA**
Brushed aluminum
- BL**
Matte black
- BZ**
Bronze
- WH**
Matte White
- Z**
"Zet" metallic silver

Special Reflector Finishes:
Refer to specification sheet ARCH-OPT-001 for reflector capabilities