



6" Direct Ceiling Mount Cylinder

1105

One 150W PAR 38 or BR 40 Lamp
120V

DATE: _____ TYPE: _____

FIRM NAME: _____

PROJECT: _____

LiteForms

For conversion to millimeters,
multiply inches by 25.4
Not to Scale

APPLICATIONS:

The 1105 is a 6" ceiling mounted cylinder that is properly scaled for use with PAR-38/BR40 lamp sources. The 1105 is suitable for a wide variety of commercial, retail and institutional applications.

HOUSING:

.052" thick seamless extruded aluminum cylinder with durable powder coat paint finish. Specify: brushed aluminum, matte black, bronze, matte white or Prescolite's exclusive Zet, metallic silver.

REFLECTOR:

Specify painted black interior, one-piece black milligroove baffle, black cone, or clear Alzak reflector.

LAMP:

One (1) 150W PAR38 or BR40 lamp.
Lamp furnished by others.

SOCKET:

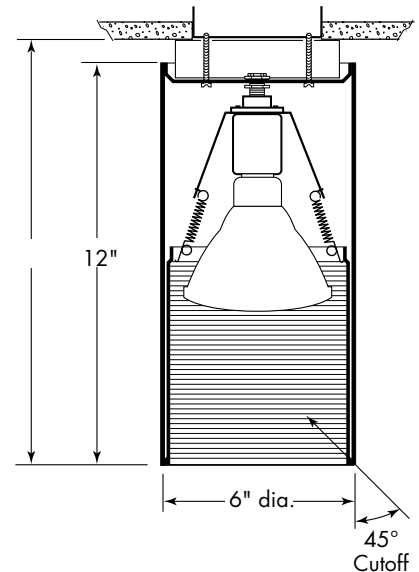
Porcelain socket with nickel plated screw shell.

INSTALLATION:

Easy installation onto standard J-Box.

LABELS:

UL, CSA listed for damp locations.
Approved for through wiring and thermally protected.



CATALOG NUMBER:

EXAMPLE: 1105-976BZ

HOUSINGS

- 1105**
6" Direct ceiling mount cylinder with painted black interior. One 150W PAR38 or BR40
- 1105-920**
6" Direct ceiling mount cylinder with black milligroove baffle. One 150W PAR38 or BR40
- 1105-870**
6" Direct ceiling mount cylinder with black cone. One 150W PAR38 or BR40
- 1105-976**
6" Direct ceiling mount cylinder with clear Alzak reflector. One 150W PAR38 or BR40

FINISH OPTIONS

- BA**
Brushed aluminum
- BL**
Matte black
- BZ**
Bronze
- WH**
Matte White
- Z**
"Zet" metallic silver

Special Finishes:

See pages 304-305 in
PSG7

NOTES

Refer to www.prescolite.com for additional photometric tests (IES Files).



Web: www.prescolite.com • Tech Support: **(888) 777-4832**
701 Millennium Boulevard • Greenville, SC 29607 U.S.A. • Phone (864) 678-1000
Copyright ©2008 Prescolite, Inc., a division of Hubbell Lighting, Inc. All Rights Reserved
Specifications subject to change without notice. • Printed in U.S.A. • LFO:INC-007 • 9/19/08



Hubbell Lighting, Inc.