



6" Direct Pendant Mount Cylinder

1125

One 150W PAR38 or BR40 Lamp
120V

DATE: _____ TYPE: _____

FIRM NAME: _____

PROJECT: _____

LiteForms™

For conversion to millimeters,
multiply inches by 25.4
Not to Scale

APPLICATIONS:

The 1125 is a 6" pendant mounted cylinder that is properly scaled for use with the PAR38/BR40 lamp sources. The 1125 is suitable for a wide variety of high ceiling applications where a visual element or increased light levels are required.

HOUSING:

.052" thick seamless extruded aluminum cylinder with durable powder coat paint finish. 52° hang straight canopy furnished standard with a 21" pendant. Stems can be field cut and are available in custom lengths. Specify: brushed aluminum, matte black, bronze, matte white or Prescolite's exclusive Zet, metallic silver.

REFLECTOR:

Specify painted black interior, one-piece black milligroove baffle, black cone, or clear Alzak reflector.

LAMP:

One (1) 150W BR40 or PAR38 lamp.
Lamps furnished by others.

SOCKET:

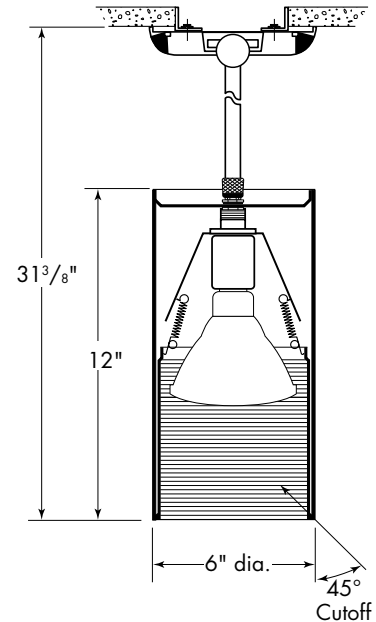
Porcelain socket with nickel plated screw shell.

INSTALLATION:

Easy installation onto standard J-box.

LABELS:

UL, CSA listed for damp locations



CATALOG NUMBER:

EXAMPLE: 1125-976BZ

HOUSINGS

FINISH OPTIONS

- | | |
|---|---|
| <ul style="list-style-type: none"> <input type="checkbox"/> 1125
6" Direct pendant mount cylinder with painted black interior. One 150W PAR38 or BR40 <input type="checkbox"/> 1125-920
6" Direct pendant mount cylinder with black milligroove baffle. One 150W PAR38 or BR40 <input type="checkbox"/> 1125-870
6" Direct pendant mount cylinder with black cone. One 150W PAR38 or BR40 <input type="checkbox"/> 1125-976
6" Direct pendant mount cylinder with clear Alzak reflector. One 150W PAR38 or BR40 | <ul style="list-style-type: none"> <input type="checkbox"/> BA
Brushed aluminum <input type="checkbox"/> BL
Matte black <input type="checkbox"/> BZ
Bronze <input type="checkbox"/> WH
Matte White <input type="checkbox"/> Z
"Zet" metallic silver |
|---|---|

 **prescolite**

A Division of Hubbell Lighting, Inc.

In a continuing effort to offer the best product possible we reserve the right to change, without notice, specifications or materials that in our opinion will not alter the function of the product.
Web: www.prescolite.com • Tech Support: (888) 777-4832

LFO-INC-008

NOTES

Refer to www.prescolite.com for additional photometric tests (IES Files).



Web: www.prescolite.com • Tech Support: **(888) 777-4832**
701 Millennium Blvd., • Greenville, SC 29607 U.S.A. • Phone (864) 678-1000

Prescolite is a division of Hubbell Lighting, Inc., with representatives' offices throughout North America

Copyright ©2010 Prescolite, All Rights Reserved • Specifications subject to change without notice. • Printed in U.S.A. • LFO-INC-008 • 1/11/10



Hubbell Lighting, Inc.