

6" Direct/Indirect Wall Mount Cylinder

1175

Two 150W BR40 or PAR38 Lamps
120V

DATE: _____ TYPE: _____

FIRM NAME: _____

PROJECT: _____

LiteForms™

For conversion to millimeters,
multiply inches by 25.4
Not to Scale

APPLICATIONS:

The 1175 is a 6" direct/indirect wall mount cylinder to achieve direct/indirect illumination patterns on vertical walls or columns. The 1175 is suitable for a wide variety of commercial, retail and institutional applications including covered building exteriors, column, and corridor illumination.

HOUSING:

.058" thick seamless extruded aluminum cylinder. Interlocking parts ensure proper cylinder alignment. Durable powder coated paint finish. Specify: brushed aluminum, matte black, bronze, matte white or Prescolite's exclusive Zet, metallic silver.

REFLECTOR:

Specify painted black interior, one-piece black milligroove baffle, black cone, or clear Alzak reflector.

LAMP:

Two (2) 150W BR40 or PAR38 lamps.
Lamps furnished by others.

SOCKET:

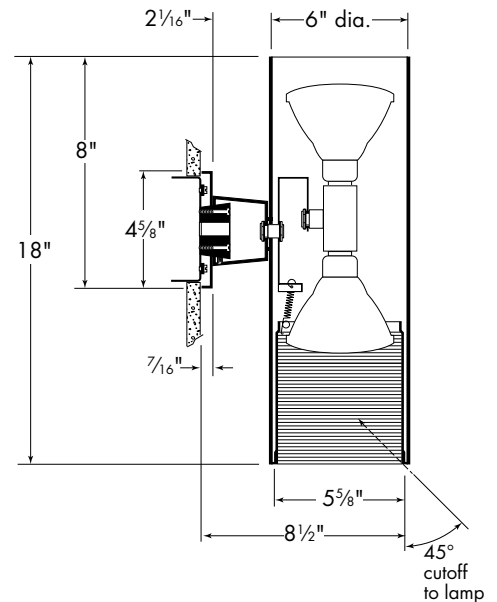
Porcelain double socket with nickel plated screw shell.

INSTALLATION:

Easy installation onto standard J-Box.

LABELS:

UL, CSA listed for damp locations



CATALOG NUMBER:

EXAMPLE: 1175-972BZ

HOUSINGS

HOUSING OPTIONS

FINISH OPTIONS

- 1175**
6" Direct/indirect wall mount cylinder with painted black interior. Two 150W BR40 or PAR38
- 1175-920**
6" Direct/indirect wall cylinders with black milligroove baffle. Two 150W BR40 or PAR38
- 1175-922**
6" Direct/indirect wall mount cylinder with black cone. Two 150W BR40 or PAR38
- 1175-972**
6" Direct/indirect wall mount cylinder with clear Alzak reflector. Two 150W BR40 or PAR38

- G1**
Gasketed tempered glass - top only
- G2**
Gasketed tempered glass - top and bottom

- BA**
Brushed aluminum
- BL**
Matte black
- BZ**
Bronze
- WH**
Matte White
- Z**
"Zet" metallic silver

Special Reflector Finishes:

Refer to specification sheet LFO-INC-037 for reflector capabilities



In a continuing effort to offer the best product possible we reserve the right to change, without notice, specifications or materials that in our opinion will not alter the function of the product.
Web: www.prescolite.com • Tech Support: (888) 777-4832
701 Millennium Blvd., Greenville, SC 29607 U.S.A. • Phone (864) 678-1000
Copyright ©2016 Prescolite, Inc., a division of Hubbell Lighting, Inc. All Rights Reserved
Specifications subject to change without notice. • LFO-INC-013 • 8/10/16 • Printed in U.S.A.

LFO-INC-013