



4" Direct/Indirect LED Wall Mount Cylinder **LD4**

Wet Location
120V or 277V

DATE: _____ TYPE: _____

FIRM NAME: _____

PROJECT: _____



For conversion to millimeters,
multiply inches by 25.4
Not to Scale

APPLICATIONS:

The LD4 is a 4" direct/indirect wall mount LED cylinder to achieve illumination patterns on vertical walls or columns. The LD4 is suitable for a wide variety of commercial, retail and institutional applications including building exterior, column, and corridor illumination. Suitable applications with ambient temperatures up to 30°C (86°F) during operation.

HOUSING:

.125" thick seamless extruded aluminum cylinder with diecast aluminum, arm, and mounting bracket. Interlocking parts insure proper cylinder alignment. Gasketed die cast lens ring is threaded to screw into cylinder for snug fit. The rings are provided with anti-rotation set screws that lock them in place. Durable powder coated paint finish. Specify: matte black, matte white, bronze, or Prescolite's exclusive Zet, metallic silver. All components are non-corrosive.

LEDs:

Each array is equipped with (6) 1 watt, 80 CRI LEDs with integral heat sink that will provide 70% average lumen maintenance at 50,000 hours.

LED DRIVER:

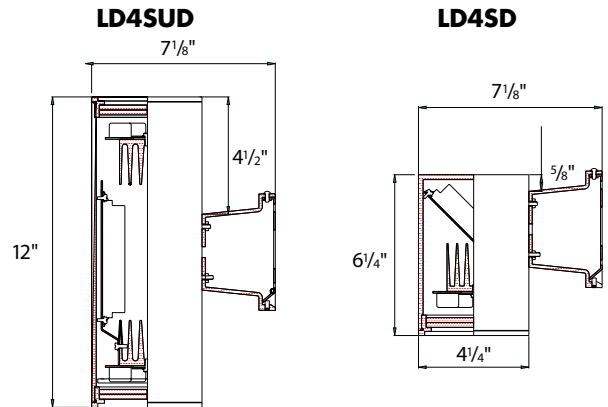
Energy efficient electronic constant current, non-dimming driver with 50,000 hour minimum anticipated life. Meets UL Class 2, FCC 47CFR Class A compliant, inherent short-circuit protection, self limited, over-load protected.

LABELS:

CSA C/US Suitable for wet location.

WARRANTY:

5 year warranty. See www.prescolite.com for details.



CATALOG NUMBER:

EXAMPLE: LD4SUD120V6L40KFL30USPBL

CYLINDER	CYLINDER STYLE	MOUNTING	VOLTAGE	OUTPUT	COLOR TEMP	DOWN DISTRIBUTION	UP DISTRIBUTION	CYLINDER FINISH
<input type="checkbox"/> LD4 4" LED Cylinder	<input type="checkbox"/> S Smooth	<input type="checkbox"/> D² Down <input type="checkbox"/> UD¹ Up/Down	<input type="checkbox"/> 120V <input type="checkbox"/> 277V³	<input type="checkbox"/> 3L 300 Delivered Lumens <input type="checkbox"/> 6L 600 Delivered Lumens	<input type="checkbox"/> 30K <input type="checkbox"/> 35K <input type="checkbox"/> 40K <input type="checkbox"/> 50K	<input type="checkbox"/> SP20 Nominal 20° cutoff spot down <input type="checkbox"/> FL30 Nominal 30° cutoff flood down	<input type="checkbox"/> Blank Downlight Only <input type="checkbox"/> USP Nominal 20° cutoff spot up <input type="checkbox"/> UFL Nominal 30° cutoff flood up	<input type="checkbox"/> WH White <input type="checkbox"/> BL Black <input type="checkbox"/> Z Zet <input type="checkbox"/> BZ Bronze

¹Up/Down can only have one output 3L or 6L, not both.
Nominal lumen value is for each direction.

²For uplight only, select 'D' and install fixture to wall with light facing up

³Only available in 6L and 3L Up/Down



In a continuing effort to offer the best product possible we reserve the right to change, without notice, specifications or materials that in our opinion will not alter the function of the product.
Web: www.prescolite.com • Tech Support: (888) 777-4832

LFO-LED-001

PHOTOMETRIC DATA

LiteForms® - LD4 - 4" Direct/Indirect LED Wall Mount Cylinder

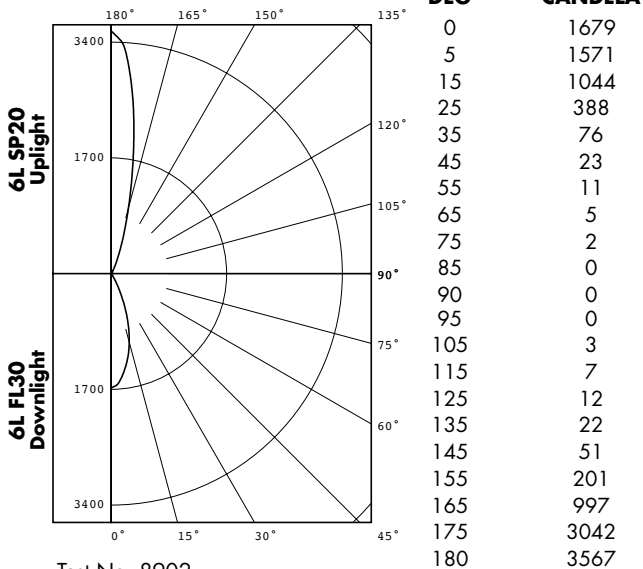
DRIVER DATA	LD4D (Down) 6L	LD4D (Down) 3L	LD4UD (Up/Down) 6L	LD4UD (Up/Down) 3L
Input Voltage	120V to 277V +/- 10%	120V +/- 10%	120V to 277V +/- 10%	120V to 277V +/- 10%
Input Frequency	50/60 Hz	50/60 Hz	50/60 Hz	50/60 Hz
Input Current	0.75A/0.035A	0.034	0.125A/0.054A	0.0625A/0.027A
Input Power	9W	4W	15W	7.5W
Constant Current Output	700mA	350mA	700mA	350mA
Power Factor	≥0.90/>0.75	≥0.90/>0.75	≥0.90/>0.75	≥0.90/>0.75
THD	<20%	<20%	<20%	<20%
EMI Filtering	FCC 47CFR Part 15, Class A	FCC 47CFR Part 15, Class A	FCC 47CFR Part 15, Class A	FCC 47CFR Part 15, Class A
Operating Temperature	-30°C to 30°C	-30°C to 30°C	-30°C to 30°C	-30°C to 30°C
Dimming	No	No	No	No

Over-voltage, over-current, short-circuit protected

Lumen Multiplier For Output/Color Temp Options			
3L30K	0.47	6L30K	0.95
3L35K	0.49	6L35K	0.98
3L40K	0.5	6L40K	1.0
3L50K	0.5	6L50K	1.0

LD4SUD6L50KFL30USP
LED Light Engine: (2) 6-Ring Array w/
(6) LEDs with Optical Lens
System Wattage: 15.3
Fixture delivered total lumens: 1410
Fixture Efficacy: 92.2
Spacing Criteria: 0.6

CANDELA DISTRIBUTION



Test No. 8902

Tested at 25°C Ambient in accordance to IESNA LM-79-2008

ZONAL LUMEN SUMMARY

ZONE	LUMENS	%LUMINAIRE
0-30	608	43.1
0-40	661	46.9
0-60	689	48.9
0-90	698	49.5
90-180	711	50.5
0-180	1410	100.0

LUMINANCE DATA IN CANDELA/SQ. METER

Angle in Vertical	Average
45°	6075
55°	3582
65°	2210
75°	1443
85°	0

COEFFICIENTS OF UTILIZATION Zonal Cavity Method

Room Cavity Ratio	% Effective Ceiling Cavity Reflectance																
	80%					70%					50%						
	30	10	10	30	10	30	10	10	30	10	30	10	10	30	10		
1	100	97	94	91	93	90	87	85	77	75	74	64	63	62	53	53	52
2	94	88	84	80	87	82	78	75	71	68	66	61	59	57	51	50	49
3	88	81	76	71	82	76	71	67	66	63	60	57	55	53	48	47	46
4	83	75	69	64	77	70	65	61	62	58	55	54	51	49	46	45	43
5	78	69	63	58	73	65	60	56	58	54	51	51	48	46	44	43	41
6	74	64	58	54	69	61	55	52	54	50	47	48	45	43	42	41	39
7	70	60	54	50	65	57	52	48	51	47	44	46	43	41	41	39	37
8	66	56	50	46	62	54	48	45	49	44	42	44	41	38	39	37	35
9	63	53	47	43	59	51	46	42	46	42	39	42	39	37	37	35	34
10	60	50	45	41	56	48	43	39	44	40	37	40	37	35	36	34	32

LD4SUD6L50KFL30USP

Test No.8902



Web: www.prescolite.com • Tech Support: (888) 777-4832
701 Millennium Blvd., Greenville, SC 29607 U.S.A. • Phone (864) 678-1000
Copyright ©2017 Prescolite, Inc., a division of Hubbell Lighting, Inc. All Rights Reserved
Specifications subject to change without notice. • Printed in U.S.A. • LFOLED001 • 6/12/14

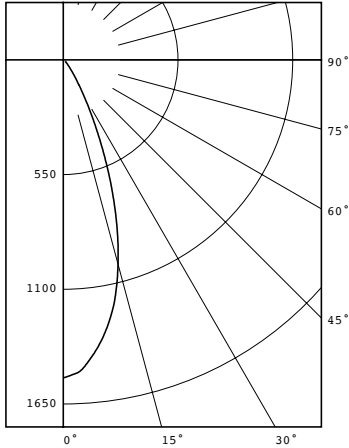


PHOTOMETRIC DATA

LiteForms® - LD4 - 4" Direct/Indirect LED Wall Mount Cylinder

LD4SD6L50KFL30BL

LED Light Engine: (1) 6- Ring Array w/
(6) LEDs w/ Optical Lens
System Wattage: 8.4
Fixture delivered lumens: 697
Fixture Efficacy: 83
Spacing Criteria: 0.6



CANDELA DISTRIBUTION		
DEG	CANDELA	LUMENS
0	1525	
5	1444	132
15	1014	276
25	398	186
35	89	61
45	26	21
55	11	10
65	6	6
75	3	3
85	0	1
90	0	

ZONAL LUMEN SUMMARY		
ZONE	LUMENS	%LUMINAIRE
0-30	595	85.3
0-40	656	94.1
0-60	687	98.6
0-90	697	100.0
90-180	0	0.0
0-180	697	100.0

LUMINANCE DATA IN CANDELA/ SQ. METER	
Angle in Vertical	Average - 0°
45°	5158
55°	2690
65°	1992
75°	1626
85°	0

COEFFICIENTS OF UTILIZATION Zonal Cavity Method																		
Room Cavity Ratio	% Effective Floor Cavity Reflectance					% Wall Reflectance												
	20% Effective Floor Cavity Reflectance					% Wall Reflectance												
	80%	70%	50%	30%	10%	70	50	30	10	70	50	30	10	50	30	10		
1	114	112	109	107	105	112	109	107	105	105	104	102	102	100	99	98	97	96
2	109	105	101	98	97	107	103	100	97	100	97	95	97	95	93	94	93	91
3	105	99	94	91	90	103	97	93	90	95	92	89	93	90	87	90	88	86
4	100	94	89	85	84	98	92	88	84	90	87	83	88	85	83	87	84	82
5	96	89	84	80	80	95	88	83	80	86	82	79	85	81	78	83	80	78
6	92	85	79	76	76	91	84	79	75	82	78	75	81	77	74	80	76	74
7	89	81	75	72	72	87	80	75	72	79	74	71	78	74	71	77	73	70
8	85	77	72	68	68	84	77	72	68	75	71	68	75	71	68	74	70	67
9	82	74	69	65	65	81	73	68	65	72	68	65	72	68	65	71	67	65
10	79	71	66	62	62	78	70	66	62	70	65	62	69	65	62	68	65	62

LD4SD6L50KFL30BL

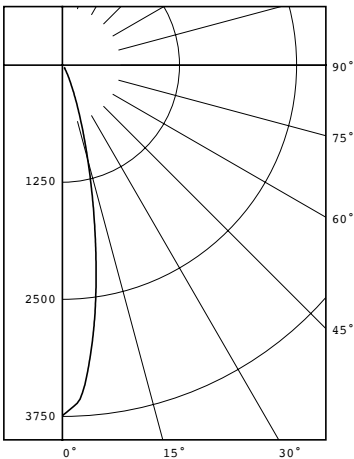
Test No. 8898

Test No. 8898

Tested at 25°C Ambient in accordance to IESNA LM-79-2008

LD4SD6L50KSP20BL

LED Light Engine: (1) 6- Ring Array w/
(6) LEDs w/ Optical Lens
System Wattage: 8.3
Fixture delivered lumens: 736
Fixture Efficacy: 88.7
Spacing Criteria: 0.4



CANDELA DISTRIBUTION		
DEG	CANDELA	LUMENS
0	3742	
5	3221	270
15	1049	298
25	201	102
35	48	32
45	20	16
55	10	9
65	6	6
75	3	3
85	0	1
90	0	

ZONAL LUMEN SUMMARY		
ZONE	LUMENS	%LUMINAIRE
0-30	669	90.9
0-40	702	95.3
0-60	727	98.7
0-90	736	100.0
90-180	0	0.0
0-180	736	100.0

LUMINANCE DATA IN CANDELA/ SQ. METER	
Angle in Vertical	Average - 0°
45°	4555
55°	2808
65°	2286
75°	1867
85°	0

COEFFICIENTS OF UTILIZATION Zonal Cavity Method																		
Room Cavity Ratio	% Effective Floor Cavity Reflectance					% Wall Reflectance												
	20% Effective Floor Cavity Reflectance					% Wall Reflectance												
	80%	70%	50%	30%	10%	70	50	30	10	70	50	30	10	50	30	10		
1	115	113	110	109	107	112	110	109	107	106	105	104	103	102	101	99	99	98
2	111	107	104	101	101	109	105	102	100	102	100	98	99	97	96	97	95	94
3	107	102	98	95	95	105	101	97	94	98	95	93	96	94	92	94	92	90
4	103	98	94	90	90	102	97	93	90	95	91	89	93	90	88	91	89	87
5	100	94	90	87	87	99	93	89	86	92	88	85	90	87	85	89	86	84
6	97	91	86	83	83	96	90	86	83	89	85	82	87	84	82	86	84	81
7	94	88	83	80	80	93	87	83	80	86	82	80	85	82	79	84	81	79
8	92	85	81	78	78	91	84	80	78	84	80	77	83	79	77	82	79	77
9	89	82	78	75	75	88	82	78	75	81	78	75	80	77	75	80	77	75
10	87	80	76	73	73	86	80	76	73	79	76	73	78	75	73	78	75	73

LD4SD6L50KSP20BL

Test No. 8899

Test No. 8899

Tested at 25°C Ambient in accordance to IESNA LM-79-2008

NOTES: Refer to www.prescolite.com for additional photometric tests (IES Files).

1. Operation in ambient temperatures higher than those specified may shorten life and will void warranty.



Web: www.prescolite.com • Tech Support: (888) 777-4832
701 Millennium Blvd., Greenville, SC 29607 U.S.A. • Phone (864) 678-1000
Copyright ©2015 Prescolite, Inc., a division of Hubbell Lighting, Inc. All Rights Reserved
Specifications subject to change without notice. • Printed in U.S.A. • LFOLED001 • 1/22/15

