



4" Direct LED Pendant Mount Cylinder **LD4SP**

Wet Location
120V or 277V

DATE: _____ TYPE: _____

FIRM NAME: _____

PROJECT: _____



For conversion to millimeters,
multiply inches by 25.4
Not to Scale

APPLICATIONS:

The LD4PS is a 4" pendant mount LED cylinder that is suitable for a wide variety of high ceiling applications. Suitable for applications for ambient temperatures up to 30°C (86°F).

HOUSING:

.125" thick seamless extruded aluminum cylinder. Interlocking parts insure proper cylinder alignment. Gasketed die cast lens ring is threaded to screw into cylinder for snug fit. The rings are provided with anti-rotation set screws that lock them in place. Durable powder coated paint finish. Specify: matte black, matte white, bronze, or Prescolite's exclusive Zet, metallic silver. All components are non-corrosive.

LEDs:

Each array is equipped with (6) 1 watt, 80 CRI LEDs with integral heat sink that will provide 70% average lumen maintenance at 50,000 hours.

DRIVER:

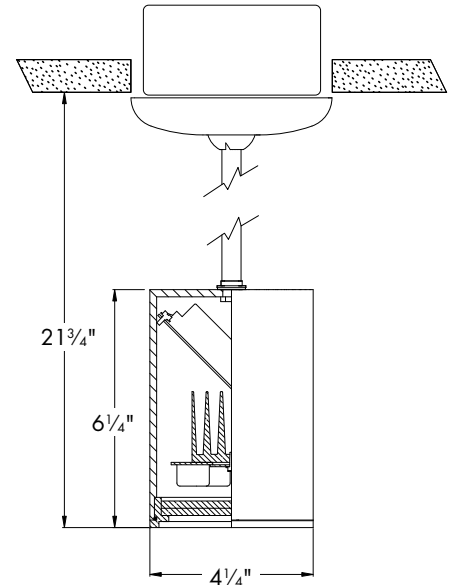
Energy efficient electronic constant current, non-dimming driver with 50,000 hour minimum anticipated life. Meets UL Class 2, FCC 47CFR Class A compliant, inherent short-circuit protection, self limited, over-load protected.

LABELS:

CSA C/US Suitable for wet location.

WARRANTY:

5 year warranty. See www.prescolite.com for details.



CATALOG NUMBER:

EXAMPLE: LD4SP120V6L40KFL30BL

CYLINDER	CYLINDER STYLE	MOUNTING	VOLTAGE	OUTPUT	COLOR TEMP	DOWN DISTRIBUTION	CYLINDER FINISH
<input type="checkbox"/> LD4 4" LED cylinder	<input type="checkbox"/> S Smooth	<input type="checkbox"/> P¹ Pendant	<input type="checkbox"/> 120V <input type="checkbox"/> 277V²	<input type="checkbox"/> 3L 300 Delivered lumens <input type="checkbox"/> 6L 600 Delivered Lumens	<input type="checkbox"/> 30K <input type="checkbox"/> 35K <input type="checkbox"/> 40K <input type="checkbox"/> 50K	<input type="checkbox"/> SP20 Nominal 20° cutoff spot down <input type="checkbox"/> FL30 Nominal 30° cutoff flood down	<input type="checkbox"/> WH White <input type="checkbox"/> BL Black <input type="checkbox"/> Z Zet <input type="checkbox"/> BZ Bronze

¹Contact factory for custom stem lengths

²Only available in 6L

PHOTOMETRIC DATA

LiteForms® - LD4SP - 4" LED Pendant Mount Cylinder

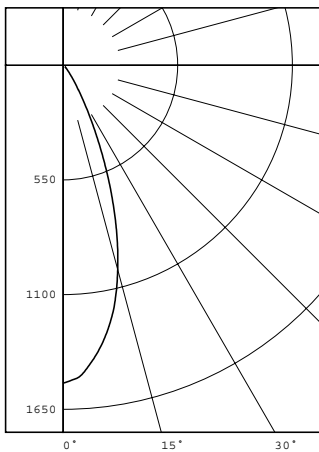
DRIVER DATA	LD4SP (Down) 6L	LD4SP (Down) 3L
Input Voltage	120V to 277V +/- 10%	120V +/- 10%
Input Frequency	50/60 Hz	50/60 Hz
Input Current	0.75A/.035A	0.034
Input Power	9W	4W
Constant Current Output	700mA	350mA
Power Factor	≥0.90/>0.75	≥0.90/>0.75
THD	<20%	<20%
EMI Filtering	FCC 47CFR Part 15, Class A	FCC 47CFR Part 15, Class A
Operating Temperature	-30°C to 30°C	-30°C to 30°C
Dimming	No	No

Over-voltage, over-current, short-circuit protected

Lumen Multiplier For Output/Color Temp Options			
3L30K	0.47	6L30K	0.95
3L35K	0.49	6L35K	0.98
3L40K	0.5	6L40K	1.0
3L50K	0.5	6L50K	1.0

LD4SP6L50KFL30BL

LED Light Engine: (1) 6- Ring Array w/ (6) LEDs w/ Optical Lens
System Wattage: 8.4
Fixture delivered lumens: 697
Fixture Efficacy: 83
Spacing Criteria: 0.6



DEG	CANDELA	LUMENS
0	1525	
5	1444	132
15	1014	276
25	398	186
35	89	61
45	26	21
55	11	10
65	6	6
75	3	3
85	0	1
90	0	

ZONAL LUMEN SUMMARY

ZONE	LUMENS	%LUMINAIRE
0-30	595	85.3
0-40	656	94.1
0-60	687	98.6
0-90	697	100.0
90-180	0	0.0
0-180	697	100.0

LUMINANCE DATA IN CANDELA/SQ. METER

Angle in Vertical	Average - 0°
45°	5158
55°	2690
65°	1992
75°	1626
85°	0

COEFFICIENTS OF UTILIZATION

Zonal Cavity Method

Room Cavity Ratio	% Effective Floor Cavity Reflectance																
	80%		70%		50%		30%		10%								
	20% Effective Floor Cavity Reflectance																
	% Wall Reflectance																
	70	50	30	10	70	50	30	10	50	30	10						
1	114	112	109	107	112	109	107	105	105	104	102	102	100	99	98	97	96
2	109	105	101	98	107	103	100	97	100	97	95	97	95	93	94	93	91
3	105	99	94	91	103	97	93	90	95	92	89	93	90	87	90	88	86
4	100	94	89	85	98	92	88	84	90	87	83	88	85	83	87	84	82
5	96	89	84	80	95	88	83	80	86	82	79	85	81	78	83	80	78
6	92	85	79	76	91	84	79	75	82	78	75	81	77	74	80	76	74
7	89	81	75	72	87	80	75	72	79	74	71	78	74	71	77	73	70
8	85	77	72	68	84	77	72	68	75	71	68	75	71	68	74	70	67
9	82	74	69	65	81	73	68	65	72	68	65	72	68	65	71	67	65
10	79	71	66	62	78	70	66	62	70	65	62	69	65	62	68	65	62

LD4SP6L50KFL30BL

Test No. 8900

Test No. 8900

Tested at 25°C Ambient in accordance to IESNA LM-79-2008



Web: www.prescolite.com • Tech Support: (888) 777-4832
701 Millennium Blvd. • Greenville, SC 29607 U.S.A. • Phone (864) 678-1000
Copyright ©2014 Prescolite, Inc., a division of Hubbell Lighting, Inc. All Rights Reserved
Specifications subject to change without notice. • Printed in U.S.A. • LFO:LED-003 • 6/12/14



Hubbell Lighting, Inc.

PHOTOMETRIC DATA

LiteForms® - LD4SP - 4" LED Pendant Mount Cylinder

LD4SP6L50KSP20BL

LED Light Engine: (1) 6- Ring Array w/
(6) LEDs w/ Optical Lens
System Wattage: 8.3
Fixture delivered lumens: 736
Fixture Efficacy: 88.7
Spacing Criteria: 0.4

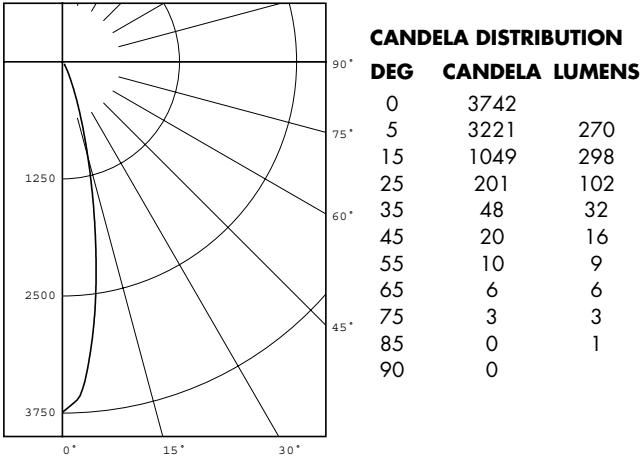
ZONAL LUMEN SUMMARY

ZONE	LUMENS	%LUMINAIRE
0-30	669	90.9
0-40	702	95.3
0-60	727	98.7
0-90	736	100.0
90-180	0	0.0
0-180	736	100.0

LUMINANCE DATA IN CANDELA/ SQ. METER

Angle in Vertical	Average - 0°
45°	4555
55°	2808
65°	2286
75°	1867
85°	0

CANDELA DISTRIBUTION



COEFFICIENTS OF UTILIZATION Zonal Cavity Method

Room Cavity Ratio	% Effective Floor Cavity Reflectance																
	80%		70%		50%		30%		10%								
	20%	10%	20%	10%	20%	10%	20%	10%	20%	10%							
1	115	113	110	109	112	110	109	107	106	105	104	103	102	101	99	99	98
2	111	107	104	101	109	105	102	100	102	100	98	99	97	96	97	95	94
3	107	102	98	95	105	101	97	94	98	95	93	96	94	92	94	92	90
4	103	98	94	90	102	97	93	90	95	91	89	93	90	88	91	89	87
5	100	94	90	87	99	93	89	86	92	88	85	90	87	85	89	86	84
6	97	91	86	83	96	90	86	83	89	85	82	87	84	82	86	84	81
7	94	88	83	80	93	87	83	80	86	82	80	85	82	79	84	81	79
8	92	85	81	78	91	84	80	78	84	80	77	83	79	77	82	79	77
9	89	82	78	75	88	82	78	75	81	78	75	80	77	75	80	77	75
10	87	80	76	73	86	80	76	73	79	76	73	78	75	73	78	75	73

LD4SP6L50KSP20BL

Test No. 8901

Test No. 8901

Tested at 25°C Ambient in accordance to IESNA LM-79-2008

NOTES: Refer to www.prescolite.com for additional photometric tests (IES Files).

1. Operation in ambient temperatures higher than those specified may shorten life and will void warranty.



Web: www.prescolite.com • Tech Support: (888) 777-4832
701 Millennium Blvd. • Greenville, SC 29607 U.S.A. • Phone (864) 678-1000
Copyright ©2014 Prescolite, Inc., a division of Hubbell Lighting, Inc. All Rights Reserved
Specifications subject to change without notice. • Printed in U.S.A. • LFO:LED-003 • 6/12/14



Hubbell Lighting, Inc.