



8" LED Cylinder

LCC8LED 30L/45L

120 - 277V
0-10V Dimming
3000 and 4500 Lumens

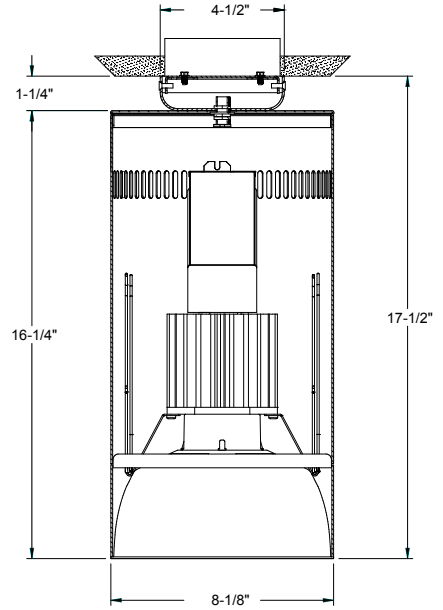
DATE: _____ TYPE: _____

FIRM NAME: _____

PROJECT: _____



For conversion to millimeters,
multiply inches by 25.4
Not to Scale



30L Surface Mount with V1 venting shown.

Pendant, wall, cord/cable and vent option line art on page 3.

APPLICATIONS:

LiteForms™ LCC8LED 30L and 45L is an 8" commercial grade LED cylinder delivering 3000 lumens or 4500 lumens. This is suitable to replace many CFL and HID cylinder applications in a variety of commercial, retail, and institutional spaces to achieve wide distribution illumination patterns on vertical walls or columns while realizing substantial energy and maintenance savings. Rated for a minimum of 50,000 hrs life (70% lumen maintenance) with ambient temperatures up to 30°C (30L) or 35°C (45L) during operation.

HOUSING:

Seamless heavy gauge rolled aluminum cylinder body with durable powder coat paint finish and die cast aluminum canopy arm (wall mount) in a variety of architectural colors including Prescolite's exclusive Zet, metallic silver. Four vent slot configurations are available. See line art on page 3. H1 and V1 have vent slots in reflector.

REFLECTOR:

High purity spun aluminum self-flanged reflector with iridescence suppressed Alzak semi-diffuse anodized (standard) or optional white or black painted finish.

LED LIGHT ENGINE:

The LCC8LED light engines apply mid or high power LEDs, specifically mixed to provide a minimum of 80 CRI or 90 CRI with 3 SDCM color consistency. The use of multiple LEDs allows for optimal thermal management by effectively spreading the heat over a larger area, eliminating hot spots on the LEDs. A diffuse yet highly transmissive lens obscures the view of the LEDs and creates a smooth, even look from below.

The light engine is available in multiple Kelvin temperatures to accommodate any design requirement. The system is designed to provide optimal life and lumen maintenance (50,000 hrs at 70% lumen maintenance). The reflector/light engine assembly features a torsion spring installation for mechanical retention to the cylinder housing.

LED DRIVER:

The LCC8LED is offered standard with a constant current LED driver with 0-10V flicker free dimming to 10% (30L), 5% (45L). 0-10V dimming to 1% (DM1) is also available. All options are Class 2 compliant, have inherent short-circuit and overload protection, and meet UL 8750 with a 50,000 hour minimum anticipated life.

INSTALLATION:

Available cylinder mounting options include wall mount, ceiling/surface mount, pendant stem mount, cord/cable mount. Each mounting has a quick connect feature that allows easy access for future technology upgrades.

CERTIFICATIONS:

CSA certified to US and Canadian safety standards. Suitable for damp locations. This product qualifies as a "designated country construction material" per FAR 52.225-11 Buy American-Construction. Materials under Trade Agreements effective 6/10/2020. See [Buy American Solutions](#).

WARRANTY:

5 Year Warranty. See [www.prescolite.com](#) for details.

CATALOG NUMBER:

EXAMPLE: LCC8LEDV1P30L35K8WFL45 WH

CYLINDER	VENTING	MOUNTING	OUTPUT	LED COLOR TEMP	CRI	VOLTAGE	OPTIONS	BEAM	REFLECTOR FINISH	REFLECTOR COLOR	CYLINDER COLOR
<input type="checkbox"/> LCC8LED 8" LED Cylinder	<input type="checkbox"/> H1 Horizontal Top Only <input type="checkbox"/> H2 Horizontal Top/Bottom <input type="checkbox"/> V1 Vertical Top Only <input type="checkbox"/> V2 Vertical Top/Bottom	<input type="checkbox"/> P Pendant (18" standard) <input type="checkbox"/> S Surface <input type="checkbox"/> CM ¹ Cord/Cable Mount <input type="checkbox"/> W Wall Mount	<input type="checkbox"/> 30L 3000 Delivered Lumens <input type="checkbox"/> 45L 4500 Delivered Lumens	<input type="checkbox"/> 27K 2700 Kelvin <input type="checkbox"/> 30K 3000 Kelvin <input type="checkbox"/> 35K 3500 Kelvin <input type="checkbox"/> 40K 4000 Kelvin <input type="checkbox"/> 50K 5000 Kelvin	<input type="checkbox"/> 8 80+ CRI <input type="checkbox"/> 9 ² 90+ CRI	<input type="checkbox"/> Blank 120-277 Volt	<input type="checkbox"/> Blank Standard 0-10V dimming to 10% (30L), 5% (45L) <input type="checkbox"/> DM1 0-10V dimming to 1% <input type="checkbox"/> 2DM ³ Hi-Lume 1% 2-wire LED Driver (120V only)	<input type="checkbox"/> WFL45 45 Degree Cutoff	<input type="checkbox"/> Blank Clear Alzak	<input type="checkbox"/> BC Painted Black Cone <input type="checkbox"/> WC Painted White Cone	<input type="checkbox"/> BA Brushed Aluminum <input type="checkbox"/> BZ Bronze <input type="checkbox"/> BL Matte Black <input type="checkbox"/> WH Matte White <input type="checkbox"/> Z Zet

NOTES:

- 1 Cord length 6 feet, clear sleeve
- 2 90 CRI not available on 30L 40K or 50K.
- 3 2DM not available on 45L



A Division of Hubbell Lighting, Inc.

In a continuing effort to offer the best product possible we reserve the right to change, without notice, specifications or materials that in our opinion will not alter the function of the product.
Web: [www.prescolite.com](#) • Tech Support: (888) 777-4832

LFO-LED-019

PHOTOMETRIC DATA

LiteForms - 8" LCC8LED Cylinder

DRIVER DATA	LCC8LEDx30L	LCC8LEDx45L
Input Voltage	120-277V	120-277V
Input Frequency	50/60Hz	50/60Hz
Input Current	0.348A (120V) 0.151A(277V)	0.426A (120V) 0.184A (277V)
Input Power	42W	51W
Constant Current Output	675mA	1350mA
Power Factor	≥0.90	≥0.90
THD	<20%	<20%
EMI Filtering	FCC 47CFR Part 15, Class A	FCC47CFR Part 15, Class A
Operating Temperature	-30°C to +30°C	-30°C to +30°C
Dimming (standard)	0-10V	0-10V
Over-voltage, over-current, short-circuit protected		
Lumen output & input wattage may vary slightly with DM1 Driver option		

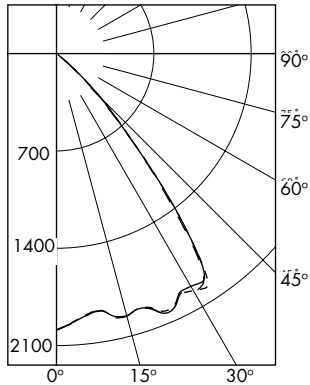
Lumen Multiplier Table

Unless specified, photometrics for the LCC8LED are published below at a nominal 3500 Kelvin temperature. This table may be used to approximate the lumen values at different Kelvin temperatures. Power consumption would stay the same.

5000 Kelvin	1.14
4000 Kelvin	1.03
3500 Kelvin	1.00
3000 Kelvin	1.00
2700 Kelvin	0.91

LCC8LEDV2530L35K8WFL45 BL

LED Light Engine: 3500K, 80+ CRI
System Wattage: 41.8W
Fixture Delivered Lumens: 3055
Fixture Efficacy: 73.1
Spacing Criteria: 1.4



CANDELA DISTRIBUTION		
DEG	CANDELA	
0	1988	
5	1910	
15	1952	
25	2000	
35	1797	
45	453	
55	13	
65	5	
75	2	
85	0	
90	0	

ZONAL LUMEN SUMMARY

ZONE	LUMENS	%LUMINAIRE
0-30	1644	53.8
0-40	2669	87.4
0-60	3047	99.7
0-90	3055	100.0
90-180	0	0.0
0-180	3055	100.0

LUMINANCE DATA IN CANDELA/SQ. METER

Angle in Vertical	Average
45°	21042
55°	744
65°	389
75°	254
85°	0

Test No. 16.02507

Tested at 25°C Ambient in accordance to IESNA LM-79-2008

COEFFICIENTS OF UTILIZATION Zonal Cavity Method

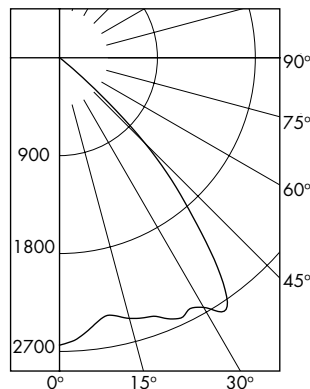
Room Cavity Ratio	% Effective Ceiling Cavity Reflectance																
	80%			70%			50%			30%			10%				
	70	50	30	10	70	50	30	10	50	30	10	50	30	10			
1	113	110	107	105	110	108	105	103	104	102	100	100	98	97	97	95	94
2	107	101	97	93	104	100	96	92	96	93	90	93	91	88	90	88	86
3	100	93	88	83	98	92	87	83	89	85	81	87	83	80	84	81	79
4	94	86	80	75	93	85	79	75	83	78	74	81	76	73	79	75	72
5	89	80	73	68	87	79	72	68	77	71	67	75	70	67	73	69	66
6	84	74	67	62	82	73	66	62	71	66	61	70	65	61	68	64	61
7	79	68	62	57	77	68	61	57	66	60	56	65	60	56	64	59	56
8	74	63	57	52	73	63	56	52	62	56	52	61	55	52	60	55	51
9	70	59	52	48	69	59	52	48	57	52	48	57	51	48	56	51	47
10	66	55	49	44	65	55	48	44	54	48	44	53	48	44	52	47	44

LCC8LEDV2530L35K8WFL45 BL

Test No. 16.02507

LCC8LEDH1545L30K8WFL45 BL

LED Light Engine: 3000K, 80+ CRI
System Wattage: 51W
Fixture Delivered Lumens: 4588
Fixture Efficacy: 89.9
Spacing Criteria: 1.27



CANDELA DISTRIBUTION		
DEG	CANDELA	
0	2643	
5	2550	
15	2481	
25	2640	
35	2679	
45	1109	
55	17	
65	6	
75	2	
85	0	
90	0	

ZONAL LUMEN SUMMARY

ZONE	LUMENS	%LUMINAIRE
0-30	2149	46.9
0-40	3720	81.1
0-60	4575	99.8
0-90	4584	100.0
90-180	0	0.0
0-180	4584	100.0

LUMINANCE DATA IN CANDELA/SQ. METER

Angle in Vertical	Average
45°	48363
55°	914
65°	438
75°	238
85°	0

Test No. 17.00706

Tested at 25°C Ambient in accordance to IESNA LM-79-2008

COEFFICIENTS OF UTILIZATION Zonal Cavity Method

Room Cavity Ratio	% Effective Ceiling Cavity Reflectance																
	80%			70%			50%			30%			10%				
	70	50	30	10	70	50	30	10	50	30	10	50	30	10			
1	113	110	107	104	110	107	105	103	103	101	99	100	98	96	96	95	94
2	106	101	96	92	104	99	95	91	95	92	89	92	90	87	90	87	85
3	100	92	86	82	97	91	85	81	88	84	80	85	82	79	83	80	77
4	93	85	78	73	91	83	77	73	81	76	72	79	75	71	77	73	70
5	87	78	71	66	86	77	70	66	75	69	65	73	68	64	71	67	64
6	82	72	65	60	80	71	64	59	69	63	59	68	62	58	66	62	58
7	77	66	59	54	75	65	59	54	65	58	54	63	57	53	61	57	53
8	72	61	54	49	71	60	54	49	59	53	49	58	53	49	57	52	48
9	68	56	50	45	66	56	49	45	55	49	45	54	48	45	53	48	44
10	64	52	46	41	63	52	46	41	51	45	41	50	45	41	49	44	41

LCC8LEDH1545L30K8WFL45 BL

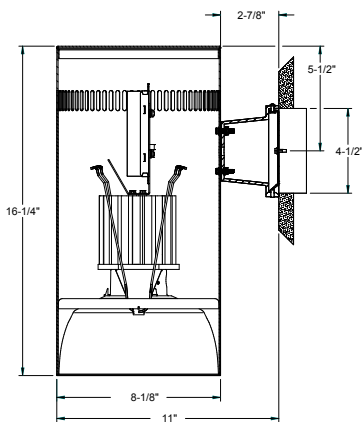
Test No. 17.00706



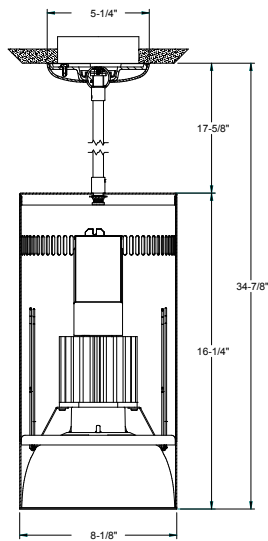
LiteForms - 8" LCC8LED Cylinder

Dimming Compatibility Table

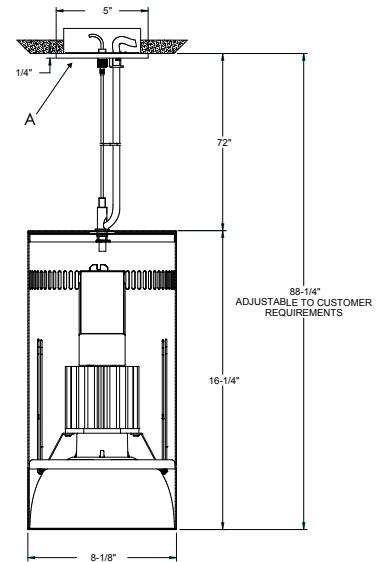
Dimming Ballast	Manufacturer	Web Link
DM/DM1	Lutron DTV	http://bit.ly/11jSvZg
DM/DM1	Leviton AWRMG-7xx, AWSMG-7xx, AWSMT-7xx	http://bit.ly/1BJn2R9



WALL MOUNT

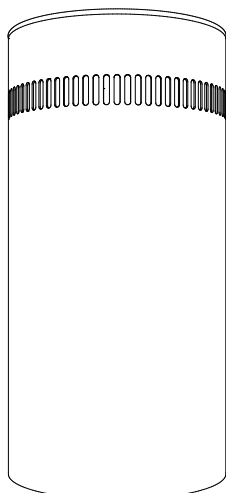


PENDANT MOUNT

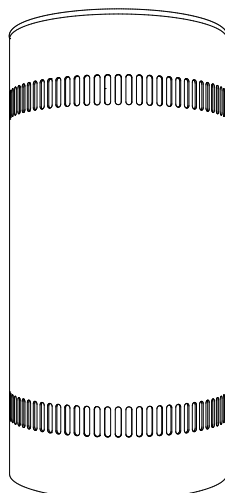


CORD/CABLE MOUNT

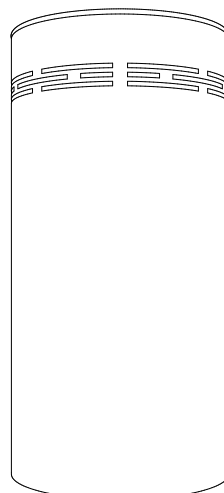
Note A: The canopy will be painted zeta on brush aluminum. All others will match cylinder color.



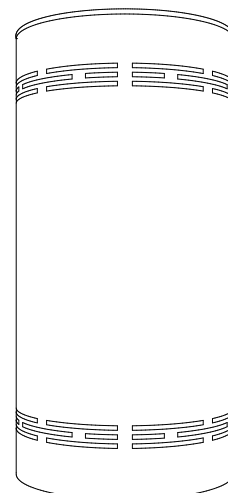
V1



V2



H1



H2