

6" Horizontal Compact Fluorescent Wall Wash Downlights

LF6CFH

26W Quad Tube
4-pin Lamps
120V, 208V, 240V, 277V, or 347V



DATE: _____ TYPE: _____

FIRM NAME: _____

PROJECT: _____

LiteFrame®

Ceiling Cutout: 6-1/4"
Maximum Ceiling Thickness: 1-1/4"
For conversion to millimeters, multiply inches by 25.4
Not to Scale

APPLICATIONS:

The LF6CFH series offers horizontally lamped compact fluorescent wall wash downlight fixtures. This luminaire is ideal for a wide variety of low to medium height ceiling applications including commercial, retail, hospitality, and design-build.

HOUSING:

One-piece 22-gauge galvanized steel platform. Prewired J-box with snap-on cover for easy access. Vented at lamp tip and socket for maximum light output. Same housing accommodates downlight, wall wash downlight, and lensed downlight reflectors.

REFLECTOR:

High purity aluminum, Alzak, iridescence suppressed, semi-diffuse reflector. Self-trim standard. Painted white self-trim (WT) available as option.

LAMPS:

Use two (2) 26W (G24Q-3 base) quad tube 4-pin compact fluorescent lamps. Lamps furnished by others or as option below.

BALLAST:

One (1) Class 'P' 120V-277V HPF compact fluorescent electronic ballast for long life and quiet operation. All ballast options are equipped with end of life protection. Contact technical support for 347V. Accessible from below ceiling.

SOCKET:

Two (2) injection molded sockets (vented).

INSTALLATION:

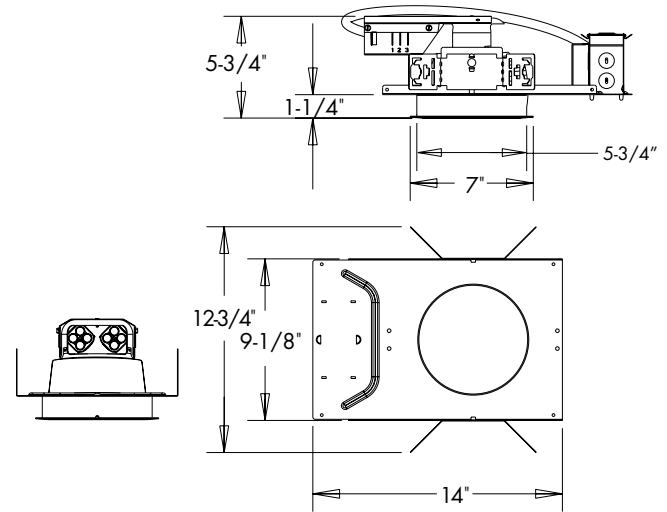
Universal adjustable mounting brackets accept 1/2" EMT conduit or 1 1/2" or 3/4" lathing channel (by others) or Prescolite 24" bar hangers (B24 or B6). Light commercial bar hangers included.

LABELS:

UL listed or UL/CSA listed with CDN option for damp locations. Approved for through wiring (4 in, 4 out). Non-IC type.

LAMP INCLUDED OPTION:

Specify lamp type Q4 (Quad 4-pin) and temperature as shown below.



Order housing, reflector and accessories separately.

CATALOG NUMBER:

EXAMPLE: LF6CFH226EB 6CFHCGWW LP26Q430K

HOUSING	VOLTAGE	HOUSING OPTIONS	REFLECTOR	REFLECTOR COLOR	WALL WASH	ACCESSORIES
<input type="checkbox"/> LF6CFH <div style="border: 1px solid black; padding: 2px; width: fit-content;">WATTAGE</div> <input type="checkbox"/> 226 (2) 26W Quad <div style="border: 1px solid black; padding: 2px; width: fit-content;">BALLAST</div> <input type="checkbox"/> EB Multi-volt	<input type="checkbox"/> BLANK 120V-277V <input type="checkbox"/> CDN Canadian Electrical code compliant ballast disconnect <input type="checkbox"/> CDN 347V¹ Canadian Electrical code compliant ballast disconnect	<input type="checkbox"/> CP³ Chicago Plenum <input type="checkbox"/> FSDFA Fuse kit installed at factory <input type="checkbox"/> RIF 1^{2,3} Radio interference filter (single circuit) <input type="checkbox"/> EMR^{2,3} Emergency battery pack with remote test switch and indicator light <input type="checkbox"/> DM Electronic Analog Dimming Ballast to 3%, 4-wire, 0-10V (120-277V) <input type="checkbox"/> SYL⁴ Osram Sylvania Ballast (available only for standard EB option) <input type="checkbox"/> ECDM Lutron EcoSystem or 3-wire line voltage dimming ballast (120V-277V). Dims to 5%. <input type="checkbox"/> 7DM Advance Mark 7™ Dimming Ballast to 5%, 4-wire, 0-10V, analog (120V thru 277V)(specify wattage) <input type="checkbox"/> XDM¹ Advance Mark 10™ Dimming Ballast to 5%, 2-wire line voltage (specify supply voltage/wattage) <input type="checkbox"/> SMT Philips Advance SmartMate® ballast	<input type="checkbox"/> 6CFH 6" Alzak Semi-Diffuse	<input type="checkbox"/> BLANK Clear Alzak <input type="checkbox"/> CG Champagne Gold Alzak <input type="checkbox"/> PW Pewter Alzak <input type="checkbox"/> WE Wheat Alzak <input type="checkbox"/> LW Light Wheat Alzak	<input type="checkbox"/> WW Wall Wash <div style="border: 1px solid black; padding: 2px; width: fit-content;">TRIM OPTIONS</div> <input type="checkbox"/> WT White flange (Alzak only) <input type="checkbox"/> TRG Trim Ring Gasket (Factory installed)	<input type="checkbox"/> B24 Set of (2) 24" bar hangers for T-bar ceilings <input type="checkbox"/> B6 Set of (2) bar hangers for ceiling joists up to 24" centers <input type="checkbox"/> FSDFI Fuse kit for field installation <div style="border: 1px solid black; padding: 2px; width: fit-content;">LAMP ACCESSORIES</div> <input type="checkbox"/> LP -wattage= 26 -type= Q4 (Quad 4-pin) -temp= 27K, 30K, 35K, 41K (Kelvin) *Example: LP26Q430K Requires two lamps.

¹ Dimming option not available for 347V

² RIF1 and EMR options not offered in combination

³ CP not offered in combination with RIF1 or EMR

⁴ Available for Osram Sylvania Quick 60+® Limited Warranty when used with Osram lamp(s). See www.prescolite.com for details.

PHOTOMETRIC DATA

LiteFrame® - 6" Horizontal Quad Tube Wall Wash Downlights - LF6CFH Series

BALLAST DATA CFLH

	26W Quad		
	120V	277V	347V
Total System Watts	51	51	57
Input Current (Amps)	0.43	0.19	0.17
Input Frequency in Hz	50/60	50/60	50/60
Power Factor <.95	<.99	<.99	<.95
Ballast Factor <.98	<1.0	<1.0	<.98
Total Harmonic Distortion	<10%	<10%	<10%

LAMP DATA CFLH

Rated Watts	26W Quad		
Rated Lumens	1710		
Efficacy (LPW)	66		
Rated Life	12,000		
CRI	82		
Min. Starting Temp.	32°F		

LUMINANCE DATA IN CANDELA/SQ. METER

Angle in Vertical	Average 0°	Average 45°	Average 90°
45°	27172	23881	27763
55°	23095	3537	5097
65°	19202	1553	1835
75°	11988	1153	1383
85°	0	0	0

COEFFICIENTS OF UTILIZATION Zonal Cavity Method

Room Cavity Ratio	% Effective Ceiling Cavity Reflectance															
	80%			70%			50%			30%			10%			0%
	70	50	30	70	50	30	70	50	30	70	50	30	70	50	30	0
0	.43	.43	.43	.42	.42	.42	.40	.40	.40	.38	.38	.38	.37	.37	.37	.35
1	.40	.39	.38	.37	.39	.38	.36	.37	.36	.35	.35	.34	.34	.34	.33	.32
2	.38	.35	.33	.32	.37	.35	.33	.31	.33	.32	.31	.30	.31	.30	.29	.29
3	.35	.32	.30	.28	.34	.31	.29	.27	.30	.28	.27	.29	.27	.26	.26	.25
4	.32	.29	.26	.24	.32	.29	.26	.24	.28	.26	.24	.25	.25	.23	.23	.23
5	.30	.26	.24	.22	.30	.26	.23	.22	.25	.23	.21	.24	.22	.21	.21	.20
6	.28	.24	.21	.19	.28	.24	.21	.19	.23	.21	.19	.22	.20	.19	.18	.18
7	.26	.22	.20	.18	.26	.22	.19	.18	.21	.19	.17	.21	.19	.17	.17	.17
8	.25	.21	.18	.16	.24	.20	.18	.16	.20	.18	.16	.19	.17	.16	.16	.15
9	.23	.19	.16	.15	.23	.19	.16	.15	.18	.16	.14	.18	.16	.14	.14	.14
10	.22	.18	.15	.13	.22	.18	.15	.13	.17	.15	.13	.17	.15	.13	.13	.13

LF6CFH226EB/6CFHWW

Test No. 539

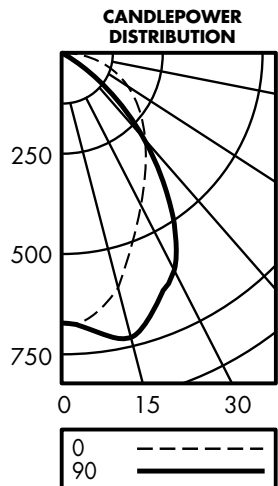
LF6CFH226EB/6CFHWW Clear Alzak Wall Wash Reflector

Lamp: 2-F26DBX/SPX27/4P-GE

Spacing Criteria:

0°=1.0
90°=1.3

Efficiency: 36.1%



Test No. 539

Angle	CANDLEPOWER SUMMARY		
	0°	90°	180°
0	684	684	684
5	670	699	698
10	634	728	724
15	597	740	740
20	548	700	703
25	498	639	655
30	454	590	622
35	418	514	545
40	368	408	450
45	322	283	329
50	271	113	176
55	222	34	49
60	185	18	21
65	136	11	13
70	89	7	9
75	0	5	6
80	0	0	0
85	0	0	0
90	0	0	0

				MULTIPLE UNITS							
				UNITS ON 2' CENTER			UNITS ON 3' CENTER				
				1'	2'	3'	4'	1'	2'	3'	4'

2' DISTANCE FIXTURE MOUNTED OUT FROM WALLS FOOTCANDLE DISTRIBUTION ON WALL SURFACE

DISTANCE FROM CEILING IN FEET	1'				2'				3'				4'			
	1'	2'	3'	4'	1'	2'	3'	4'	1'	2'	3'	4'	1'	2'	3'	4'
1	27.4	11.8	2.0	0.6	39.2	35.5	39.2		30.9	30.9	30.9					
2	27.1	16.2	4.8	1.2	47.4	46.0	47.4		34.3	34.0	34.3					
3	17.8	16.2	8.8	2.5	40.3	39.2	40.3		26.2	25.9	26.2					
4	11.0	10.9	8.0	4.3	31.4	30.9	31.4		20.9	20.5	20.9					
5	7.0	7.1	5.9	4.3	23.8	23.8	15.9		15.9	15.6	15.9					
6	4.7	4.8	4.2	3.4	18.8	18.6	18.8		12.4	12.0	12.4					
7	3.3	3.4	3.1	2.6	14.8	14.6	14.8		9.7	9.3	9.7					
8	2.3	2.4	2.3	2.0	11.6	11.8	7.9		7.9	7.6	7.9					

				MULTIPLE UNITS							
				UNITS ON 3' CENTER			UNITS ON 4' CENTER				
				1'	2'	3'	4'	1'	2'	3'	4'

3' DISTANCE FIXTURE MOUNTED OUT FROM WALLS FOOTCANDLE DISTRIBUTION ON WALL SURFACE

DISTANCE FROM CEILING IN FEET	1'				2'				3'				4'			
	1'	2'	3'	4'	1'	2'	3'	4'	1'	2'	3'	4'	1'	2'	3'	4'
1	7.5	5.0	1.9	0.6	10.2	10.2	10.2		8.5	8.5	8.5					
2	13.4	8.6	3.8	1.3	20.8	20.6	20.8		16.6	16.6	16.6					
3	12.6	9.8	4.9	1.9	21.0	20.8	21.0		17.2	17.0	17.2					
4	9.7	9.1	6.6	3.3	18.9	18.5	18.9		14.5	14.3	14.5					
5	7.0	7.1	6.0	4.2	16.4	16.0	16.4		12.6	12.4	12.6					
6	5.0	5.2	4.7	3.7	13.6	13.4	13.6		10.6	10.4	10.6					
7	3.7	3.8	3.6	3.1	11.3	10.9	11.3		8.8	8.6	8.8					
8	2.9	3.0	2.8	2.4	9.4	9.2	9.4		7.4	7.2	7.4					

For approximate calculations for gold reflector use a .9 multiplier. Actual data available upon request. Test No. 539

AVERAGE INITIAL FOOTCANDLES

Multiple Units (Square Array)
Ceiling 80% Wall 50% Floor 20%

Assumptions:

- Multiple Units (Square Array)
- Ceiling 80% Wall 50% Floor 20%
- 4 Fixtures evenly spaced in the center of the room.
- The room is square and has a width and length equal to twice the lamp spacing.
- The lumen depreciation factor is 0.8.
- The dirt depreciation factor is 0.98.

(2) 26W Quad

SPACING	RCR1	RCR3	RCR7
7.0	21	17	12
8.0	16	13	9
9.0	13	11	7
10.0	10	9	6
11.0	9	7	5
12.0	7	6	4
13.0	6	5	3
14.0	5	4	3
15.0	5	4	3

NOTES

Refer to www.prescolite.com for additional photometric tests (IES Files).

Note: Use of horizontally-lamped open downlights with amalgam-based CFL lamps in air-handling plenums is not recommended because cool air flow over the lamps will result in reduced light output. Prescolite recommends vertical lamp downlights or use of the regressed lensed trim option for horizontal downlights in these applications to reduce this effect. Refer to Prescolite White Paper WP0003 at www.prescolite.com for more information.

