

8" Horizontal Compact Fluorescent Open Downlights

LF8CFH132EB LF8CFH232EB

One 26W, 32W or 42W Triple Tube or Two 32W or 42W Triple Tube
4-pin Lamps

SOCKET:

Injection molded socket(s) suitable for 26W, 32W and 42W triple tube lamps (vented).

LAMP:

Use one (1) 26W (GX24q-3 base), 32W (GX24q-3 base), or 42W (GX24q-4 base) or two (2) 32W (GX24q-3 base), or 42W (GX24q-4 base) 4-pin triple tube compact fluorescent lamps. Lamps furnished by others or as option below. Use only GE or OSRAM Sylvania lamps.

INSTALLATION:

Universal adjustable mounting brackets accept 1/2" EMT conduit or 1 1/2" or 3/4" lathing channel (by others) or Prescolite 24" bar hangers (B24 or B6). Light commercial bar hangers included.

LABELS:

UL listed or UL/CSA listed with CDN option for damp locations. Approved for through wiring (4 in, 4 out). Non-IC type.

LAMP INCLUDED OPTION:

Specify lamp type T (Triple 4-pin) and temperature as shown below.

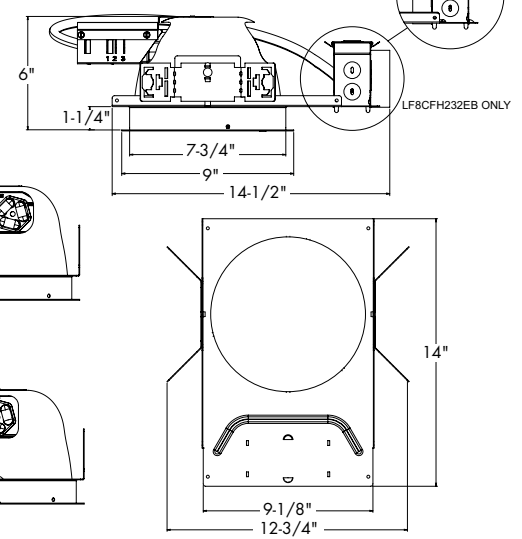
DATE: _____ TYPE: _____

FIRM NAME: _____

PROJECT: _____



Ceiling Cutout: 8-1/4"
Maximum Ceiling Thickness: 1-1/4"
For conversion to millimeters, multiply inches by 25.4
Not to Scale



APPLICATIONS:

The LF8CFH triple tube series offers horizontally lamped compact fluorescent open downlight fixtures. The multi-watt, multi-volt ballast provides the ability to change wattages by simply changing the lamp(s). This luminaire is ideal for a wide variety of medium to high ceiling applications including commercial, retail, hospitality, and design-build.

HOUSING:

One-piece 22-gauge galvalneal steel platform. Prewired J-box with snap-on cover for easy access. Vented at lamp tip and socket for maximum light output. Same housing accommodates downlight, wall wash downlight, and lensed downlight reflectors.

REFLECTOR:

High purity aluminum, Alzak, iridescence suppressed, semi-diffuse reflector. Self-trim standard. Painted white self-trim (WT) available as option. Baffled units standard with painted white self-trim.

BALLAST:

One (1) compact fluorescent Class 'P' electronic multi-volt (120V through 277V) HPF ballast suitable for operating all 26W, 32W, and 42W triple tube lamps. Two-lamp model for use with 32W or 42W lamps. All ballast options are equipped with End of Life protection. Accessible from below ceiling. Contact technical support for 347V.

Order housing, reflector and accessories separately.

CATALOG NUMBER:

EXAMPLE: LF8CFH132EB 8CFH1 LP32T30K

HOUSING	WATTAGE	BALLAST TYPE	HOUSING OPTIONS	REFLECTOR	REFLECTOR COLOR	TRIM OPTIONS	ACCESSORIES
<input type="checkbox"/> LF8CFH1 1-Lamp Fixture	<input type="checkbox"/> 32¹ 26/32/42W Triple Tube	<input type="checkbox"/> EB Electronic	<input type="checkbox"/> CP³ Chicago Plenum	<input type="checkbox"/> ECDM⁷ Lutron EcoSystem or 3-wire line voltage dimming ballast (120V-277V). Dims to 5%.	<input type="checkbox"/> 8CFH1 8" 1-Lamp Alzak Semi-Diffuse	<input type="checkbox"/> TRG Trim ring gasket (factory installed)	<input type="checkbox"/> B24 Set of (2) 24" bar hangers for T-bar ceilings
<input type="checkbox"/> LF8CFH2 2-Lamp Fixture		VOLTAGE	<input type="checkbox"/> FSDFA Fuse kit installed at factory	<input type="checkbox"/> 8CFHT 8" 2-Lamp Alzak Semi-Diffuse	<input type="checkbox"/> CG Champagne Gold Alzak	<input type="checkbox"/> B6 Set of (2) bar hangers for ceiling joists up to 24" centers	<input type="checkbox"/> B6 Set of (2) bar hangers for ceiling joists up to 24" centers
		<input type="checkbox"/> Blank 120V-277V	<input type="checkbox"/> RIF1^{2,3} Radio interference filter (single circuit)	<input type="checkbox"/> 2DM⁸ Lutron Tu-wire dimming ballast to 5%, Tu-wire line voltage (120V only)	<input type="checkbox"/> PW Pewter Alzak	<input type="checkbox"/> WT White flange (Alzak only)	<input type="checkbox"/> FSDFI Fuse kit for field installation
		<input type="checkbox"/> CDN Canadian Electrical code compliant ballast disconnect	<input type="checkbox"/> EMR^{2,3} Emergency battery pack with remote test switch and indicator light	<input type="checkbox"/> 7DM¹⁰ Advance Mark 7™ Dimming Ballast to 5%, 4-wire, 0-10V, analog (120V thru 277V)(specify wattage)	<input type="checkbox"/> WE Wheat Alzak		<input type="checkbox"/> SCABD⁹ Sloped ceiling adapter (see note on back page)
		<input type="checkbox"/> CDN 347V⁵ Canadian Electrical code compliant ballast disconnect	<input type="checkbox"/> DM Electronic Analog Dimming Ballast to 3%, 4-wire, 0-10V (120-277V) (Specify wattage on two lamp housing)	<input type="checkbox"/> XDM¹⁰ Advance Mark 10™ Dimming Ballast to 5%, 2-wire line voltage (specify supply voltage)	<input type="checkbox"/> LW Light Wheat Alzak		
			<input type="checkbox"/> MW26 Max Wattage label, 26W	<input type="checkbox"/> HDM^{8,9} Lutron Hi-Lume® Dimming Ballast to 1%, 3-wire line voltage (specify voltage)	<input type="checkbox"/> BB Black baffle (with clear Alzak upper reflector)		
			<input type="checkbox"/> MW32 Max Wattage label, 32W	<input type="checkbox"/> SMT Philips Advance SmartMate® ballast	<input type="checkbox"/> WB White baffle (with clear Alzak upper reflector)		
			<input type="checkbox"/> EM^{2,3} Emergency Battery Pack with Integral test switch and indicator light.				
			<input type="checkbox"/> SYL⁴ Osram Sylvania Ballast (available only for standard EB option)				

¹LF8CFH2 utilizes 32W or 42W lamps
²RIF1, EMR, and EM options not offered in combination
³CP not offered in combination with RIF1, EMR, or EM
⁴Available for Osram Sylvania Quick 60+® Limited Warranty when used with Osram lamp(s). See www.prescolite.com for details.
⁵Dimming option not available for 347V
⁶Osram or GE lamp only
⁷For 42W specify LF8CFH142EBECDM or LF8CFH242E-BECDM
⁸Not available for 42W
⁹Not available for 2-lamp fixture
¹⁰For 2-lamp fixture, specify wattage



In a continuing effort to offer the best product possible we reserve the right to change, without notice, specifications or materials that in our opinion will not alter the function of the product.
Web: www.prescolite.com • Tech Support: (888) 777-4832

LF8-CFL-022

PHOTOMETRIC DATA

LiteFrame® - 8" Horizontal Triple Tube Open Downlight - LF8CFH132 & LF8CFH232 Series

BALLAST DATA

	26W Triple			32W Triple			42W Triple		
	120V	277V	347V	120V	277V	347V	120V	277V	347V
Total System Watts	29	29	31	36	36	36	46	46	50
Input Current (Amps)	0.24	0.11	0.09	0.31	0.13	0.11	0.38	0.17	0.15
Input Frequency in Hz	50/60	50/60	50/60	50/60	50/60	50/60	50/60	50/60	50/60
Power Factor	<.98	<.98	<.95	<.98	<.98	<.95	<.98	<.98	<.95
Ballast Factor	<1.1	<1.1	<1.02	<.98	<.98	<.98	<.98	<.98	<1.0
Total Harmonic Distortion	<10%	<10%	<10%	<10%	<10%	<10%	<10%	<10%	<10%

LAMP DATA

Rated Watts	26W Triple	32W Triple	42W Triple
Rated Lumens	1710	2400	3200
Efficacy (LPW)	66	75	76
Rated Life	12,000	12,000	12,000
CRI	82	82	82
Min. Starting Temp.	32°F	32°F	32°F

LF8CFH132EB/8CFH1 Clear Alzak Reflector

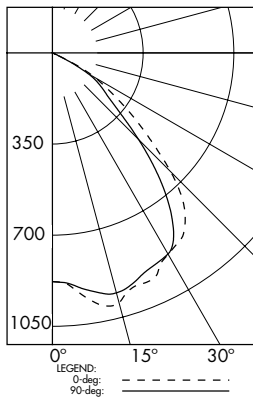
Lamp: 1-CF42DT/E/IN/827-SYLVANIA

Spacing Criteria:

0°=1.5
90°=1.4

Efficiency: 62.4%

CANDLEPOWER DISTRIBUTION



Test No. 2310

CANDLEPOWER SUMMARY

Angle	0°	45°	90°
0	878	878	878
5	906	895	894
10	976	948	931
15	993	973	954
20	950	940	934
25	946	892	907
30	893	861	892
35	869	805	812
40	795	729	657
45	646	583	470
50	456	417	312
55	303	284	233
60	191	190	158
65	29	30	25
70	7	7	7
75	4	4	3
80	2	2	2
85	1	1	1
90	0	0	0

LUMINANCE DATA IN CANDELA/SQ. METER

Angle in Vertical	Average 0°	Average 90°	Average 180°
45°	30007	21832	26198
55°	17351	13343	17065
65°	2254	1943	1865
75°	508	381	381
85°	377	377	377

Test No. 2310

AVERAGE INITIAL FOOTCANDLES ON WORKPLANE

Assumptions:

1. Ceiling 80% Wall 50% Floor 20%
2. 4 Luminaires evenly spaced in the center of the room.
3. The room is square and has a width and length equal to twice the lamp spacing (LS).
4. RCR is Room Cavity Ratio.
5. Dirt and Lumen Depreciation Factors are 1.0.
6. Ballast Factor is 1.0 for ballasted fixtures.

LS (Feet)	(Footcandles)		
	RCR1	RCR3	RCR7
7.0	44	36	24
8.0	34	28	19
9.0	27	22	15
10.0	22	18	12
11.0	18	15	10
12.0	15	12	8
13.0	13	10	7
14.0	11	9	6
15.0	10	8	5

LF8CFH232EB/8CFHT Clear Alzak Reflector

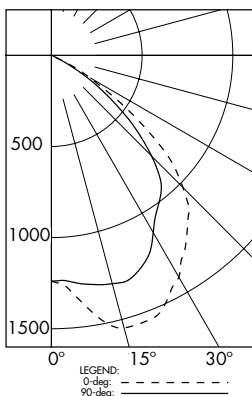
Lamp: 2-CF32DT/E/IN/827-SYLVANIA

Spacing Criteria:

0°=1.5
90°=1.3

Efficiency: 63.2%

CANDLEPOWER DISTRIBUTION



Test No. 2324

CANDLEPOWER SUMMARY

Angle	0°	45°	90°
0	1239	1239	1239
5	1305	1279	1247
10	1455	1378	1276
15	1548	1454	1297
20	1549	1423	1297
25	1495	1358	1238
30	1405	1273	1123
35	1287	1174	1021
40	1171	1088	943
45	1025	933	781
50	807	701	575
55	499	428	358
60	243	215	165
65	28	30	26
70	8	8	8
75	5	5	4
80	3	2	2
85	1	1	1
90	0	0	0

COEFFICIENTS OF UTILIZATION Zonal Cavity Method

Room Cavity Ratio	% Effective Ceiling Cavity Reflectance																			
	80%				70%				50%				30%				10%			
	% Effective Floor Cavity Reflectance																			
% Wall Reflectance																				
	70	50	30	10	70	50	30	10	50	30	10	50	30	10	50	30	10			
1	.70	.68	.66	.64	.68	.66	.64	.63	.64	.62	.61	.61	.60	.59	.59	.58	.57			
2	.65	.61	.58	.55	.63	.60	.57	.54	.58	.55	.53	.56	.54	.52	.54	.52	.51			
3	.60	.55	.51	.48	.59	.54	.50	.47	.52	.49	.46	.51	.48	.46	.49	.47	.45			
4	.56	.50	.45	.42	.55	.49	.45	.41	.47	.44	.41	.46	.43	.40	.45	.42	.40			
5	.52	.45	.40	.37	.51	.44	.40	.37	.43	.39	.36	.42	.39	.36	.41	.38	.35			
6	.48	.41	.36	.33	.47	.40	.36	.33	.39	.35	.32	.38	.35	.32	.37	.34	.32			
7	.45	.37	.33	.29	.44	.37	.32	.29	.36	.32	.29	.35	.32	.29	.34	.31	.29			
8	.42	.34	.30	.26	.41	.34	.29	.26	.33	.29	.26	.32	.29	.26	.32	.28	.26			
9	.39	.32	.27	.24	.38	.31	.27	.24	.31	.27	.24	.30	.26	.24	.29	.26	.24			
10	.37	.29	.25	.22	.36	.29	.25	.22	.28	.24	.22	.28	.24	.22	.27	.24	.22			

LF8CFH132EB/8CFH1

Test No. 2310

NOTES

Refer to www.prescolite.com for additional photometric tests (IES Files).

When ordering a sloped ceiling adapter, specify the degree of slope in 5° increments, max. of 35°. For a more precise degree or wet ceiling applications, please contact factory. Sloped ceiling adapter and housing must be installed at the same time prior to finish ceiling installation.

Note: Use of horizontally-lamped open downlights with amalgam-based CFL lamps in air-handling plenums is not recommended because cool air flow over the lamps will result in reduced light output. Prescolite recommends vertical lamp downlights or use of the regressed lensed trim option for horizontal downlights in these applications to reduce this effect. Refer to Prescolite White Paper WP0003 at www.prescolite.com for more information.



Web: www.prescolite.com • Tech Support: (888) 777-4832

701 Millennium Blvd. Greenville, SC 29607 U.S.A. • Phone (864) 678-1000

Copyright ©2015 Prescolite, Inc., a division of Hubbell Lighting, Inc. All Rights Reserved

Specifications subject to change without notice. • Printed in U.S.A. • LFR-CL022 • 4/13/15



HUBBELL
Lighting, Inc.