

6" Horizontal Compact Fluorescent Open Downlight

LF6CFH132EB

One 26W, 32W or 42W Triple Tube
4-pin Lamp
120V- 277V

DATE: _____ TYPE: _____

FIRM NAME: _____

PROJECT: _____



Ceiling Cutout: 6-1/4"
Maximum Ceiling Thickness: 1-1/4"
For conversion to millimeters,
multiply inches by 25.4
Not to Scale

APPLICATIONS:

The LF6CFH triple tube series offers a horizontally lamped compact fluorescent open downlight fixture. The multi-watt, multi-volt ballast provides the ability to change wattages by simply changing the lamp. This luminaire is ideal for a wide variety of medium to high ceiling applications including commercial, retail, hospitality, and design-build.

HOUSING:

One-piece 22-gauge galvanized steel platform. Prewired J-box with snap-on cover for easy access. Vented at lamp tip and socket for maximum light output. Same housing accommodates downlight, wall wash downlight, and lensed downlight reflectors.

REFLECTOR:

High purity aluminum, Alzak, iridescence suppressed, semi-diffuse reflector. Self-trim standard. Painted white self-trim (WT) available as option. Baffled units standard with painted white self-trim.

BALLAST:

One (1) compact fluorescent Class 'P' electronic multi-volt (120V through 277V) HPF ballast suitable for operating all 26W, 32W, and 42W triple tube lamps. All ballast options are equipped with EOL protection. Accessible from below ceiling. Contact technical support for 347V.

SOCKET:

One (1) injection molded socket suitable for 26W, 32W and 42W triple tube lamps (vented).

LAMP:

Use one (1) 26W (GX24q-3 base), 32W (GX24q-3 base), or 42W (GX24q-4 base) 4-pin triple tube compact fluorescent lamp. Lamp furnished by others or as option below. Use only GE or OSRAM Sylvania lamps.

INSTALLATION:

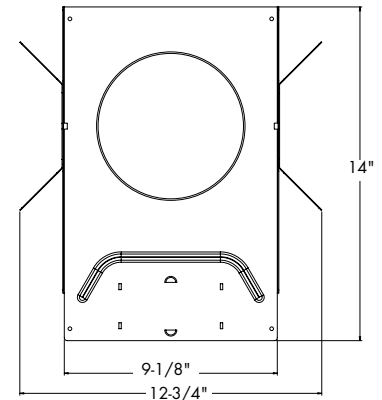
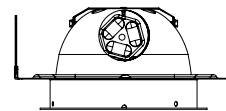
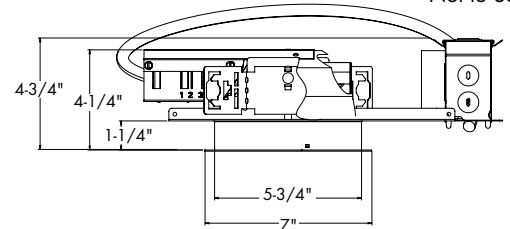
Universal adjustable mounting brackets accept 1/2" EMT conduit or 1 1/2" or 3/4" lathing channel (by others) or Prescolite 2 bar hangers (B24 or B6). Light commercial bar hangers included.

LABELS:

UL listed or UL/CSA listed with CDN option. For damp locations. Approved for through wiring (4 in, 4 out). Non-IC type.

LAMP INCLUDED OPTION:

Specify lamp type T (Triple 4-pin) and temperature as shown below.



Order housing, reflector and accessories separately.

CATALOG NUMBER:

EXAMPLE: LF6CFH132EB 6CFH1 LP32T30K

HOUSING	WATTAGE	BALLAST TYPE	VOLTAGE	HOUSING OPTIONS	REFLECTOR	REFLECTOR COLOR	TRIM OPTIONS	ACCESSORIES
<input type="checkbox"/> LF6CFH1	<input type="checkbox"/> 32 26/32/42W Triple Tube	<input type="checkbox"/> EB Electronic	<input type="checkbox"/> Blank 120V-277V	<input type="checkbox"/> CP ² Chicago Plenum	<input type="checkbox"/> 6CFH1 6" Alzak	<input type="checkbox"/> BLANK Clear Alzak	<input type="checkbox"/> TRG Trim ring gasket (factory installed)	<input type="checkbox"/> B24 Set of (2) 24" bar hangers for T-bar ceilings
		<input type="checkbox"/> CDN Canadian Electrical code compliant ballast disconnect	<input type="checkbox"/> RIF1 ^{1,2} Radio interference filter (single circuit)	<input type="checkbox"/> FSDFA Fuse kit installed at factory	<input type="checkbox"/> Semi-Diffuse	<input type="checkbox"/> CG Champagne Gold Alzak	<input type="checkbox"/> WT White flange (Alzak only)	<input type="checkbox"/> B6 Set of (2) bar hangers for ceiling joists up to 24" centers
		<input type="checkbox"/> CDN 347V ⁴ Canadian Electrical code compliant ballast disconnect	<input type="checkbox"/> EMR ^{1,2} Emergency battery pack with remote test switch and indicator light	<input type="checkbox"/> EMR ^{1,2} Emergency battery pack with remote test switch and indicator light		<input type="checkbox"/> PW Pewter Alzak		<input type="checkbox"/> FSDFI Fuse kit for field installation
			<input type="checkbox"/> DM Electronic Analog Dimming Ballast to 3%, 4-wire, 0-10V (120V-277V)	<input type="checkbox"/> DM Electronic Analog Dimming Ballast to 3%, 4-wire, 0-10V (120V-277V)		<input type="checkbox"/> WE Wheat Alzak		<input type="checkbox"/> SCA6D Sloped ceiling adapter (see note on back page)
			<input type="checkbox"/> MW26 Max Wattage label, 26W	<input type="checkbox"/> MW26 Max Wattage label, 26W		<input type="checkbox"/> LW Light Wheat Alzak		LAMP ACCESSORIES
			<input type="checkbox"/> MW32 Max Wattage label, 32W	<input type="checkbox"/> MW32 Max Wattage label, 32W		<input type="checkbox"/> BB Black baffle (with clear Alzak upper reflector)		<input type="checkbox"/> LP -wattage=26, 32, 42 -type= T (Triple 4-pin)
			<input type="checkbox"/> EM ^{1,2} Emergency Battery Pack with Integral test switch and indicator light.	<input type="checkbox"/> EM ^{1,2} Emergency Battery Pack with Integral test switch and indicator light.		<input type="checkbox"/> WB White baffle (with clear Alzak upper reflector)		-temp= 27K, 30K, 35K, 41K (Kelvin)
			<input type="checkbox"/> SYL ³ Osram Sylvania Ballast (available only for standard EB option)	<input type="checkbox"/> SYL ³ Osram Sylvania Ballast (available only for standard EB option)				*Example: LP32T30K
			<input type="checkbox"/> ECDM ⁵ Lutron EcoSystem or 3-wire line voltage dimming ballast (120V-277V). Dims to 5%.	<input type="checkbox"/> ECDM ⁵ Lutron EcoSystem or 3-wire line voltage dimming ballast (120V-277V). Dims to 5%.				
			<input type="checkbox"/> 7DM Advance Mark 7™ Dimming Ballast to 5%, 4-wire, 0-10V, analog (120V thru 277V)(specify wattage)	<input type="checkbox"/> 7DM Advance Mark 7™ Dimming Ballast to 5%, 4-wire, 0-10V, analog (120V thru 277V)(specify wattage)				
			<input type="checkbox"/> XDM Advance Mark 10™ Dimming Ballast to 5%, 2-wire line voltage (specify supply voltage/wattage)	<input type="checkbox"/> XDM Advance Mark 10™ Dimming Ballast to 5%, 2-wire line voltage (specify supply voltage/wattage)				
			<input type="checkbox"/> HDM ⁶ Lutron Hi-Lume® Dimming Ballast to 1%, 3-wire line voltage (specify voltage)	<input type="checkbox"/> HDM ⁶ Lutron Hi-Lume® Dimming Ballast to 1%, 3-wire line voltage (specify voltage)				
			<input type="checkbox"/> SMT Philips Advance SmartMate® ballast	<input type="checkbox"/> SMT Philips Advance SmartMate® ballast				

¹RIF1, EMR, and EM options not offered in combination

²CP not offered in combination with RIF1, EMR, or EM

³Available for Osram Sylvania Quick 60+® Limited Warranty when used with Osram lamp(s). See www.prescolite.com for details.

⁴Dimming option not available for 347V

⁵For 42W specify LF6CFH142EBECDM

⁶Not available for 42W



In a continuing effort to offer the best product possible we reserve the right to change, without notice, specifications or materials that in our opinion will not alter the function of the product.
Web: www.prescolite.com • Tech Support: (888) 777-4832

LF6-CFL-025

PHOTOMETRIC DATA

LiteFrame® - 6" Horizontal Triple Tube Open Downlight - LF6CFH132 Series

BALLAST DATA

	26W Triple			32W Triple			42W Triple		
	120V	277V	347V	120V	277V	347V	120V	277V	347V
Total System Watts	29	29	31	36	36	36	46	46	50
Input Current (Amps)	0.24	0.11	0.09	0.31	0.13	0.11	0.38	0.17	0.15
Input Frequency in Hz	50/60	50/60	50/60	50/60	50/60	50/60	50/60	50/60	50/60
Power Factor	<.98	<.98	<.95	<.98	<.98	<.95	<.98	<.98	<.95
Ballast Factor	<1.1	<1.1	<1.02	<.98	<.98	<.98	<.98	<.98	<1.0
Total Harmonic Distortion	<10%	<10%	<10%	<10%	<10%	<10%	<10%	<10%	<10%

LAMP DATA

Rated Watts	26W Triple	32W Triple	42W Triple
Rated Lumens	1710	2400	3200
Efficacy (LPW)	66	75	76
Rated Life	12,000	12,000	12,000
CRI	82	82	82
Min. Starting Temp.	32°F	32°F	32°F

LUMINANCE DATA IN CANDELA/SQ. METER

Angle in Vertical	Average 0°	Average 90°	Average 180°
45°	45652	40674	45315
55°	33290	23615	31105
65°	6495	3812	7342
75°	692	692	692
85°	685	0	0

Test No. 2307

AVERAGE INITIAL FOOTCANDLES ON WORKPLANE

Assumptions:

1. Ceiling 80% Wall 50% Floor 20%
2. 4 Luminaires evenly spaced in the center of the room.
3. The room is square and has a width and length equal to twice the lamp spacing (LS).
4. RCR is Room Cavity Ratio.
5. Dirt and Lumen Depreciation Factors are 1.0.
6. Ballast Factor is 1.0 for ballasted fixtures.

LS (Feet)	(Footcandles)		
	RCR1	RCR3	RCR7
7.0	37	29	20
8.0	28	23	15
9.0	22	18	12
10.0	18	14	10
11.0	15	12	8
12.0	13	10	7
13.0	11	9	6
14.0	9	7	5
15.0	8	6	4

Test No. 2307

LF6CFH132EB/6CFH1 Clear Alzak Reflector

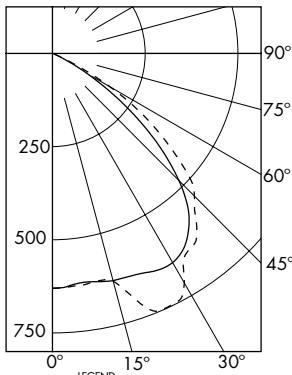
Lamp: 1-CF32DT/E/IN/SYLVANIA

Spacing Criteria:

- 0°=1.5
- 90°=1.5

Efficiency: 69.3%

CANDLEPOWER DISTRIBUTION



LEGEND:
0-deg: - - - - -
90-deg: - - - - -
Test No. 2307

CANDLEPOWER SUMMARY

Angle	0°	45°	90°
0	630	630	630
5	627	625	623
10	623	621	622
15	633	623	631
20	722	650	634
25	748	678	645
30	711	665	648
35	642	630	625
40	605	582	573
45	541	523	482
50	447	446	360
55	320	298	227
60	179	142	109
65	46	39	27
70	8	8	8
75	3	3	3
80	2	1	1
85	1	1	0
90	0	0	0

COEFFICIENTS OF UTILIZATION Zonal Cavity Method

Room Cavity Ratio	% Effective Ceiling Cavity Reflectance																
	80%			70%			50%			30%			10%				
	20% Effective Floor Cavity Reflectance																
	% Wall Reflectance																
	70	50	30	10	70	50	30	10	50	30	10	50	30	10			
1	.77	.75	.73	.71	.76	.73	.71	.69	.70	.69	.67	.68	.66	.65	.65	.64	.63
2	.72	.67	.63	.60	.70	.66	.62	.59	.63	.61	.58	.61	.59	.57	.59	.57	.56
3	.66	.60	.55	.52	.65	.59	.55	.51	.57	.53	.50	.55	.52	.50	.54	.51	.49
4	.61	.54	.49	.45	.60	.53	.48	.44	.51	.47	.44	.50	.46	.43	.49	.45	.43
5	.57	.49	.43	.39	.55	.48	.43	.39	.47	.42	.39	.45	.41	.38	.44	.41	.38
6	.52	.44	.38	.34	.51	.43	.38	.34	.42	.38	.34	.41	.37	.34	.40	.36	.33
7	.49	.40	.34	.31	.47	.39	.34	.30	.38	.34	.30	.37	.33	.30	.37	.33	.30
8	.45	.37	.31	.27	.44	.36	.31	.27	.35	.30	.27	.34	.30	.27	.34	.30	.27
9	.42	.33	.28	.25	.41	.33	.28	.24	.32	.28	.24	.32	.27	.24	.31	.27	.24
10	.40	.31	.26	.22	.39	.30	.26	.22	.30	.25	.22	.29	.25	.22	.29	.25	.22

LF6CFH132EB/6CFH1

Test No. 2307

NOTES

Refer to www.prescolite.com for additional photometric tests (IES Files).

When ordering a sloped ceiling adapter, specify the degree of slope in 5° increments, max. of 35°. For a more precise degree or wet ceiling applications, please contact factory. Sloped ceiling adapter and housing must be installed at the same time prior to finish ceiling installation.

Note: Use of horizontally-lamped open downlights with amalgam-based CFL lamps in air-handling plenums is not recommended because cool air flow over the lamps will result in reduced light output. Prescolite recommends vertical lamp downlights or use of the regressed lensed trim option for horizontal downlights in these applications to reduce this effect. Refer to Prescolite White Paper WP0003 at www.prescolite.com for more information.



Web: www.prescolite.com • Tech Support: (888) 777-4832

701 Millenium Blvd., Greenville, SC 29607 U.S.A. • Phone (864) 678-1000

Copyright ©2015 Prescolite, Inc., a division of Hubbell Lighting, Inc. All Rights Reserved

Specifications subject to change without notice. • Printed in U.S.A. • LFR-CFL-025 • 4/13/15



HUBBELL
Lighting, Inc.