

# 4" Square LED Wall Wash Downlight **LF4SQSL WW** 120V-277V 0-10V Dimming

DATE: \_\_\_\_\_ TYPE: \_\_\_\_\_

FIRM NAME: \_\_\_\_\_

PROJECT: \_\_\_\_\_



Ceiling Cutout: 5-1/4" x 5-1/4"  
Maximum Ceiling Thickness 1 1/4"  
For conversion to millimeters,  
multiply inches by 25.4  
Not to Scale

### APPLICATIONS:

LiteFrame LF4SQSL Wall Wash is a 4" specification grade LED downlight that utilizes high efficiency LEDs to obtain color consistency, energy savings, and low maintenance costs. 50,000 hours minimum life up to 35°C (95°F) in open plenum applications.

### HOUSING:

One-piece 22 gauge non-corrosive steel platform. Pre-wired j-box with snap-on cover for easy access. Snap-in connection from driver compartment allows easy installation of light engine/trim assembly without tools above or below the ceiling and can be upgraded to accommodate technology improvements. Approved for 8 (4 in/4 out) No. 12 AWG conductors rated for 90°C through wiring.

### REFLECTOR:

Wall wash comes standard with a self-trim and diffuse lens. Painted white self-trim (WT) available as option. Reflector is made from anodized Alano Miro 4 aluminum

### LED LIGHT ENGINE:

The LF4SQSL uses the Philips Fortimo DLM LED Module. This module provides controlled color consistency (3 SDCM) from fixture to fixture. The system is designed for optional life and lumen maintenance (>50,000 hours at 70% lumen maintenance). Both reflector and light engine assembly are mechanically retained to housing.

### LED DRIVER:

The LF4SQSL utilizes the Philips Fortimo LED Driver specifically designed to optimize efficiency of the Fortimo DLM Module. Driver is designed to match the 50,000 hour minimum life expectancy of the system. Meets UL Class 2, inherent short circuit protection, self limited, overload protected. If critical temperatures are reached on driver or LED module, integrated thermal feedback loop will gradually reduce current to protect system life. Driver is universal 120V-277V. Optional Lutron Series A driver is also available.

### DIMMING:

Comes standard with 0-10V dimming capability. Flicker-free dimming to 10%. 0-10V control may consume up to 1mA. 0-10V, Lutron 2 wire and EcoSystem dimming available to 1% and DMX with RDM (remote device management) dimming to less than 0.1%.

### INSTALLATION:

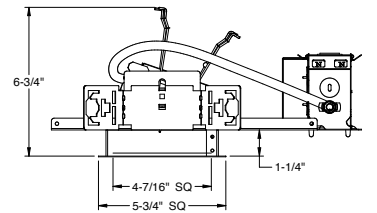
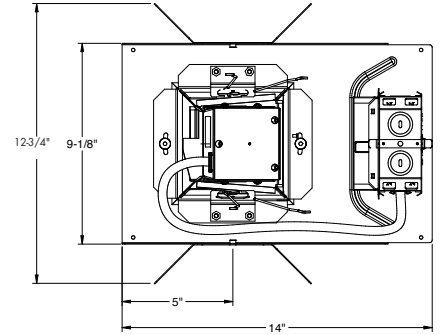
Adjustable Bar hangers included(not with CP option). Universal adjustable mounting brackets also accept 1/2" EMT conduit or 1 1/2" or 3/4" lathing channel (by others) or Prescolite 24" bar hangers (B24 or B6). Housing provides up to 6° rotational adjustment of the square trim.

### CERTIFICATIONS:

CSA certified to US and Canadian safety standards. Suitable for wet locations. Approved for through wiring. Non-IC rated. EMR is damp rated and for US use only.

### WARRANTY:

5 year warranty. See www.prescolite.com for details.



See page 3 for WW EMR, CP and NX(W)E lineart.

CATALOG NUMBER:

EXAMPLE: LF4SQSLWW-4SQSL15L30K8WW

Order housing, reflector, and accessories separately

HOUSING	DRIVER OPTIONS	VOLTAGE OPTION	HOUSING OPTIONS	TRIM APERTURE	KELVIN	CRI	REF. COLOR OPTIONS	REFLECTOR OPTIONS	ACCESSORIES																														
<input type="checkbox"/> <b>LF4SQSL</b> Standard Lumen 0-10V 10% dimming 120-277V	<i>Standard 0-10V 10% Dimming</i> <input type="checkbox"/> <b>DM1</b> 0-10V dimming at 1% <input type="checkbox"/> <b>DMT<sup>8,9</sup></b> SpectraSync™ Tunable White <input type="checkbox"/> <b>DMTW<sup>10</sup></b> SpectraSync™ Tunable Dim to Warm	<i>Standard 120V-277V</i> <input type="checkbox"/> <b>347</b> 347V	<input type="checkbox"/> <b>EMR<sup>3</sup></b> Emergency Battery Pack with remote test switch and indicator light <input type="checkbox"/> <b>CP<sup>3,6,11,13</sup></b> Chicago Plenum <input type="checkbox"/> <b>WW<sup>2</sup></b> Wall Wash <input type="checkbox"/> <b>LV<sup>7</sup></b> Lutron Vive Enabled, 0-10V, 120-277V <input type="checkbox"/> <b>NXWE<sup>6,12,13</sup></b> NX Wireless Enabled <input type="checkbox"/> <b>NXE<sup>6,12,13</sup></b> NX Enabled, Dual SmartPorts	<input type="checkbox"/> <b>4SQSL</b> Semi-Diffuse Clear Alzak  <b>OUTPUT</b> <input type="checkbox"/> <b>11L</b> 1100 Lumen Module <input type="checkbox"/> <b>15L</b> 1500 Lumen Module <input type="checkbox"/> <b>20L<sup>11</sup></b> 2000 Lumen Module	<input type="checkbox"/> <b>27K</b> 2700 Kelvin <input type="checkbox"/> <b>30K</b> 3000 Kelvin <input type="checkbox"/> <b>35K</b> 3500 Kelvin <input type="checkbox"/> <b>40K</b> 4000 Kelvin <input type="checkbox"/> <b>50K</b> 5000 Kelvin <input type="checkbox"/> <b>2230TD<sup>14</sup></b> 2200K-3000K SpectraSync™ Dim to Warm <input type="checkbox"/> <b>2750T<sup>14</sup></b> 2700K-5000K SpectraSync™ Tunable White <input type="checkbox"/> <b>2765T<sup>14</sup></b> 2700K-6500K SpectraSync™ Tunable White	<input type="checkbox"/> <b>8</b> 80+ CRI <input type="checkbox"/> <b>9</b> 90+ CRI	<i>Standard Clear Alzak</i> <input type="checkbox"/> <b>CG</b> Champagne Gold Alzak <input type="checkbox"/> <b>BL</b> Black Alzak <input type="checkbox"/> <b>WE</b> Wheat Alzak <input type="checkbox"/> <b>LW</b> Light Wheat Alzak <input type="checkbox"/> <b>PW</b> Pewter Alzak <input type="checkbox"/> <b>WH</b> Painted Matte White Reflector and Flange <input type="checkbox"/> <b>BC</b> Painted Black Reflector and Flange	<input type="checkbox"/> <b>WW<sup>2</sup></b> Wall Wash  <b>TRIM OPTIONS</b> <input type="checkbox"/> <b>WT</b> Painted White Flange Only	<input type="checkbox"/> <b>B24<sup>5</sup></b> Set of two 24" bar hangers for T-bar ceilings <input type="checkbox"/> <b>B6<sup>5</sup></b> Set of two (2) bar hangers for ceiling joist up to 24" centers <input type="checkbox"/> <b>LiteGear<sup>4</sup></b> Inverter, single phase central lighting, 125VA-250VA <input type="checkbox"/> <b>LPS Series<sup>4</sup></b> LitePower micro-inverter, 20VA-55VA																														
<p><b>Use with EDM/2DM/DMX dimming option: Match Housing to Trim Output</b></p> <table border="0"> <tr> <td><input type="checkbox"/> <b>LF4SQSL11L</b></td> <td><input type="checkbox"/> <b>EDM<sup>1</sup></b> Hi-Lume 1% EcoSystem LED Driver</td> <td><input type="checkbox"/> <b>120</b> 120V</td> <td><input type="checkbox"/> <b>LVE (EDM Only)</b> Lutron Vive Enabled, EcoSystem</td> <td colspan="6"></td> </tr> <tr> <td><input type="checkbox"/> <b>LF4SQSL15L</b></td> <td><input type="checkbox"/> <b>2DM<sup>1</sup></b> Hi-Lume 1% 2-wire LED Driver (120V only)</td> <td><input type="checkbox"/> <b>277</b> 277V</td> <td><i>*EDM, 2DM &amp; DMX also available with EMR and WW</i></td> <td colspan="6"></td> </tr> <tr> <td><input type="checkbox"/> <b>LF4SQSL20L</b></td> <td><input type="checkbox"/> <b>DMX<sup>1</sup></b> DMX with RDM dimming to &lt;0.1%</td> <td colspan="8"></td> </tr> </table>										<input type="checkbox"/> <b>LF4SQSL11L</b>	<input type="checkbox"/> <b>EDM<sup>1</sup></b> Hi-Lume 1% EcoSystem LED Driver	<input type="checkbox"/> <b>120</b> 120V	<input type="checkbox"/> <b>LVE (EDM Only)</b> Lutron Vive Enabled, EcoSystem							<input type="checkbox"/> <b>LF4SQSL15L</b>	<input type="checkbox"/> <b>2DM<sup>1</sup></b> Hi-Lume 1% 2-wire LED Driver (120V only)	<input type="checkbox"/> <b>277</b> 277V	<i>*EDM, 2DM &amp; DMX also available with EMR and WW</i>							<input type="checkbox"/> <b>LF4SQSL20L</b>	<input type="checkbox"/> <b>DMX<sup>1</sup></b> DMX with RDM dimming to <0.1%								
<input type="checkbox"/> <b>LF4SQSL11L</b>	<input type="checkbox"/> <b>EDM<sup>1</sup></b> Hi-Lume 1% EcoSystem LED Driver	<input type="checkbox"/> <b>120</b> 120V	<input type="checkbox"/> <b>LVE (EDM Only)</b> Lutron Vive Enabled, EcoSystem																																				
<input type="checkbox"/> <b>LF4SQSL15L</b>	<input type="checkbox"/> <b>2DM<sup>1</sup></b> Hi-Lume 1% 2-wire LED Driver (120V only)	<input type="checkbox"/> <b>277</b> 277V	<i>*EDM, 2DM &amp; DMX also available with EMR and WW</i>																																				
<input type="checkbox"/> <b>LF4SQSL20L</b>	<input type="checkbox"/> <b>DMX<sup>1</sup></b> DMX with RDM dimming to <0.1%																																						

- Notes:**
- 1 For EDM, 2DM and DMX options, housing output must match trim output
  - 2 WW option required on both housing and trim.
  - 3 Not available with 347V
  - 4 See Central Inverter compatibility note and web links on page 3
  - 5 Accessories should be selected with CP housing if required.
  - 6 Not available with EMR, DMX, LV and LVE
  - 7 LV requires standard dimming or DM1
  - 8 Must select either 2750T or 2765T Kelvin with DMT driver option
  - 9 Not available with LV or LVE
  - 10 Must select 2230TD with DMTW driver option
  - 11 Not compatible with DMT or DMTW
  - 12 Not available with CP option
  - 13 Not available with EDM, 2DM or DMX
  - 14 Only available in 90+ CRI



In a continuing effort to offer the best product possible we reserve the right to change, without notice, specifications or materials that in our opinion will not alter the function of the product.  
Web: [www.prescolite.com](http://www.prescolite.com) • Tech Support: (888) 777-4832

LFR-LED-014

STANDARD 0-10V DIMMING

ALTERNATIVE DIMMING TO 1% & 0.1%

# PHOTOMETRIC DATA

## LiteFrame - 4" LF4SQSL WW Wall Wash

DRIVER DATA	4SQSL20L	4SQSL15L	4SQSL11L	
Input Voltage	120-277V	120-277V	120-277V	
Input Frequency	50/60 Hz	50/60 Hz	50/60 Hz	
Input Current	0.180A (120V) 0.078A (277V)	0.133A (120V) 0.058A (277V)	0.104A (120V) 0.045A (277V)	
Input Power	21.6W	16.0W	12.5W	
Power Factor	≥0.90	≥0.90	≥0.90	
THD	<20%	<20%	<20%	
EMI Filtering	FCC 47CFR Part 15, Class A	FCC 47CFR Part 15, Class A	FCC 47CFR Part 15, Class A	
Operating Temperature	-20°C to 35°C	-20°C to 35°C	-20°C to 35°C	
Dimming	0-10V	0-10V	0-10V	
Over-voltage, over-current, short-circuit protected				
*Power consumption and photometric output may vary slightly with various driver and CRI options.				
When operating in EM mode, the fixture will deliver approximately 30% of the published full lumen output.				
				<b>Lumen Multiplier Table</b>
				Photometrics published below are for the 3000K, 80 CRI. This table may be used to approximate the lumen values at different Kelvin temperatures and CRI.
				4000 Kelvin 1.07
				3500 Kelvin 1.00
				3000 Kelvin 1.00
				2700 Kelvin 0.95
				80 CRI.....1.00
				90 CRI.....0.91

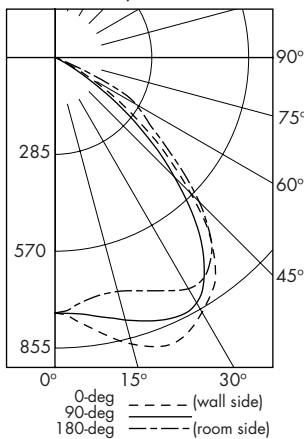
### Delivered Lumens

The table below shows the delivered lumens for the various lumen outputs.

Output	CRI	Distribution	Delivered Lumens	Input Watts	Lumens Per Watt	Full Catalog String
11L	80	WW	1132	12.5	91	LF4SQSL-4SQSL11L30K8 WW
15L	80	WW	1477	16.0	92	LF4SQSL-4SQSL15L30K8 WW
20L	80	WW	2031	21.6	94	LF4SQSL-4SQSL20L30K8 WW

### LF4SQSL-4SQSL20L30K8WW

LED Light Engine: 3000K, 80 CRI  
System Wattage: 21.6W  
Fixture Delivered Lumens: 2031  
Fixture Efficacy: 94



CANDELA DISTRIBUTION			
DEG	0	90	180
0	757	757	757
5	786	763	736
15	879	806	718
25	910	849	763
35	824	772	782
45	569	501	605
55	249	183	341
65	27	18	136
75	4	4	5
85	0	0	2
90	0	0	0

### LUMINANCE DATA IN CANDELA/SQ. METER

Angle in Vertical	0 DEG	90 DEG	180 DEG
45°	61517	83057	54143
55°	33254	50958	24402
65°	4870	12338	3247
75°	1060	1060	1060
85°	0	1574	0

DISTANCE FROM CEILING IN FEET	MULTIPLE UNITS										
	UNITS ON 3" CENTER			UNITS ON 4" CENTER							
1	2	1	1	1	1	3	3	3	3	2	3
2	21	13	2	1	1	24	27	24	22	16	23
3	33	27	9	2	1	43	54	43	37	41	37
4	24	22	12	4	2	37	45	37	31	39	31
5	16	15	11	5	3	27	30	27	23	28	23
6	11	10	9	5	3	19	21	19	17	20	17
7	7	7	6	5	3	14	15	14	13	14	13
8	5	5	5	4	3	10	11	11	10	11	10
9	4	4	4	4	3	8	9	8	8	8	8

LF4SQSL-4SQSL20L30K8WW

Test No. 18.00412-02

Test No. 18.00412-02

Tested at 25°C Ambient in accordance to IESNA LM-79-2008



Web: [www.prescolite.com](http://www.prescolite.com) • Tech Support: (888) 777-4832  
701 Millennium Boulevard • Greenville, SC 29607 U.S.A. • Phone (864) 678-1000  
Copyright ©2018 Prescolite, Inc., a division of Hubbell Lighting, Inc. All Rights Reserved  
Specifications subject to change without notice. • Printed in U.S.A. • LFR-LED-014 • 01/25/19

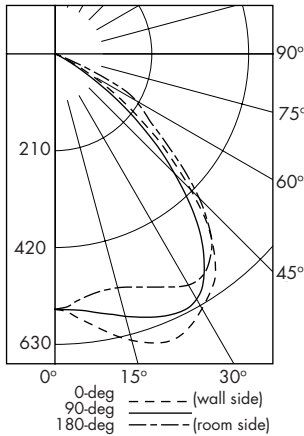


# PHOTOMETRIC DATA

## LiteFrame - 4" LF4SQSL WW Wall Wash

### LF4SQSL-4SQSL15L30K8WW

LED Light Engine: 3000K, 80 CRI  
System Wattage: 16.0W  
Fixture Delivered Lumens: 1477  
Fixture Efficacy: 92



CANDELA DISTRIBUTION			
DEG	0	90	180
0	551	551	551
5	571	554	535
15	639	586	522
25	661	617	554
35	599	561	569
45	414	364	440
55	181	133	248
65	20	13	99
75	3	3	4
85	0	0	1
90	0	0	0

### LUMINANCE DATA IN CANDELA/SQ. METER

Angle in Vertical	0 DEG	90 DEG	180 DEG
45°	44725	60386	39364
55°	24177	37048	17741
65°	3541	8970	2361
75°	771	771	771
85°	0	1145	0

				MULTIPLE UNITS			
				UNITS ON 3" CENTER		UNITS ON 4" CENTER	
1'	2'	3'	4'	1'	2'	3'	4'

### 2.5' DISTANCE FIXTURE MOUNTED OUT FROM WALLS FOOTCANDLE DISTRIBUTION ON WALL SURFACE (Direct Only)

DISTANCE FROM CEILING IN FEET	1'				2'				3'				4'			
	1	1	1	1	1	2	2	2	2	2	2	2	2	2	2	2
2	16	10	2	1	17	20	17	16	12	16	16	12	16	16	12	
3	24	19	7	2	31	39	31	27	30	27	27	30	27	27	30	
4	18	16	9	3	27	32	27	22	29	23	22	29	23	22	29	
5	11	11	8	4	19	22	20	17	21	17	17	21	17	17	21	
6	8	7	6	4	14	15	14	12	14	13	12	14	13	12	14	
7	5	5	5	4	10	11	10	9	10	10	9	10	10	9	10	
8	4	4	4	3	8	8	8	7	8	7	7	8	7	7	8	
9	3	3	3	3	6	6	6	6	6	6	6	6	6	6	6	

LF4SQSL-4SQSL15L30K8WW

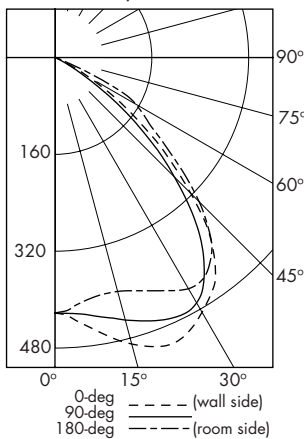
Test No. 18.00412-01

Test No. 18.00412-01

Tested at 25°C Ambient in accordance to IESNA LM-79-2008

### LF4SQSL-4SQSL11L30K8WW

LED Light Engine: 3000K, 80 CRI  
System Wattage: 12.5W  
Fixture Delivered Lumens: 1132  
Fixture Efficacy: 91



CANDELA DISTRIBUTION			
DEG	0	90	180
0	757	757	757
5	786	763	736
15	879	806	718
25	910	849	763
35	824	772	782
45	569	501	605
55	249	183	341
65	27	18	136
75	4	4	5
85	0	0	2
90	0	0	0

### LUMINANCE DATA IN CANDELA/SQ. METER

Angle in Vertical	0 DEG	90 DEG	180 DEG
45°	34315	30201	36480
55°	18549	13612	25355
65°	2717	1811	13765
75°	591	591	887
85°	0	0	878

				MULTIPLE UNITS			
				UNITS ON 3" CENTER		UNITS ON 4" CENTER	
1'	2'	3'	4'	1'	2'	3'	4'

### 2.5' DISTANCE FIXTURE MOUNTED OUT FROM WALLS FOOTCANDLE DISTRIBUTION ON WALL SURFACE (Direct Only)

DISTANCE FROM CEILING IN FEET	1'				2'				3'				4'			
	1	1	1	1	0	1	1	2	1	1	2	1	1	2	1	1
2	12	7	1	1	13	15	13	12	9	13	12	9	13	12	9	13
3	19	15	5	1	24	30	24	21	23	21	21	23	21	21	23	21
4	14	12	7	2	20	25	21	17	22	17	17	22	17	17	22	17
5	9	8	6	3	15	17	15	13	16	13	13	16	13	13	16	13
6	6	6	5	3	11	11	11	9	11	10	9	11	10	9	11	10
7	4	4	4	3	8	8	8	7	8	7	7	8	7	7	8	7
8	3	3	3	2	6	6	6	5	6	6	5	6	6	5	6	6
9	2	2	2	2	5	5	5	4	5	5	4	5	5	4	5	5

LF4SQSL-4SQSL11L30K8WW

Test No. 18.00412

Test No. 18.00412

Tested at 25°C Ambient in accordance to IESNA LM-79-2008



Web: [www.prescolite.com](http://www.prescolite.com) • Tech Support: (888) 777-4832  
701 Millennium Boulevard • Greenville, SC 29607 U.S.A. • Phone (864) 678-1000  
Copyright ©2018 Prescolite, Inc., a division of Hubbell Lighting, Inc. All Rights Reserved  
Specifications subject to change without notice. • Printed in U.S.A. • LFR-LED-014 • 01/25/19



# LiteFrame - 4" LF4SQSL WW Wall Wash

## DMX

See instruction sheet on [www.prescolite.com](http://www.prescolite.com) for connection & installation information.  
Other useful links: <http://www.eldoled.com/led-drivers/powerdrive/50-watt/ac-561s/>

## Central Inverters

For full fixture output in back-up mode, we recommend you visit [www.dual-lite.com](http://www.dual-lite.com) for your Central Lighting Inverter options. Please contact your local Hubbell representative for any assistance with proper sizing and loading of your inverter selection. Central lighting inverters must be ordered separately.

**LiteGear:** [www.dual-lite.com/products/litegear\\_lg\\_series](http://www.dual-lite.com/products/litegear_lg_series)

**LPS Series:** [www.dual-lite.com/products/lps](http://www.dual-lite.com/products/lps)

## SpectraSync™ Color Tuning Technology:

Control your space based on the needs of the application, specific activities throughout the day and preferences of the occupants with two distinct SpectraSync™ Color Tuning Technology.

**Dim to Warm:** Dim to Warm mimics the familiar warming effect that occurs with traditional incandescent sources as they are dimmed. (Available with 2200K-3000K).

**Tunable White:** Tunable White offers users the ability to tailor CCT to their personal preference, enhancing task visibility, material and colors or the aesthetics of the space. (Available with 2700K-5000K or 2700K-6500K).

See separate [SpectraSync™ Tech Sheet](#) for additional details.

## NX Distributed Intelligence:

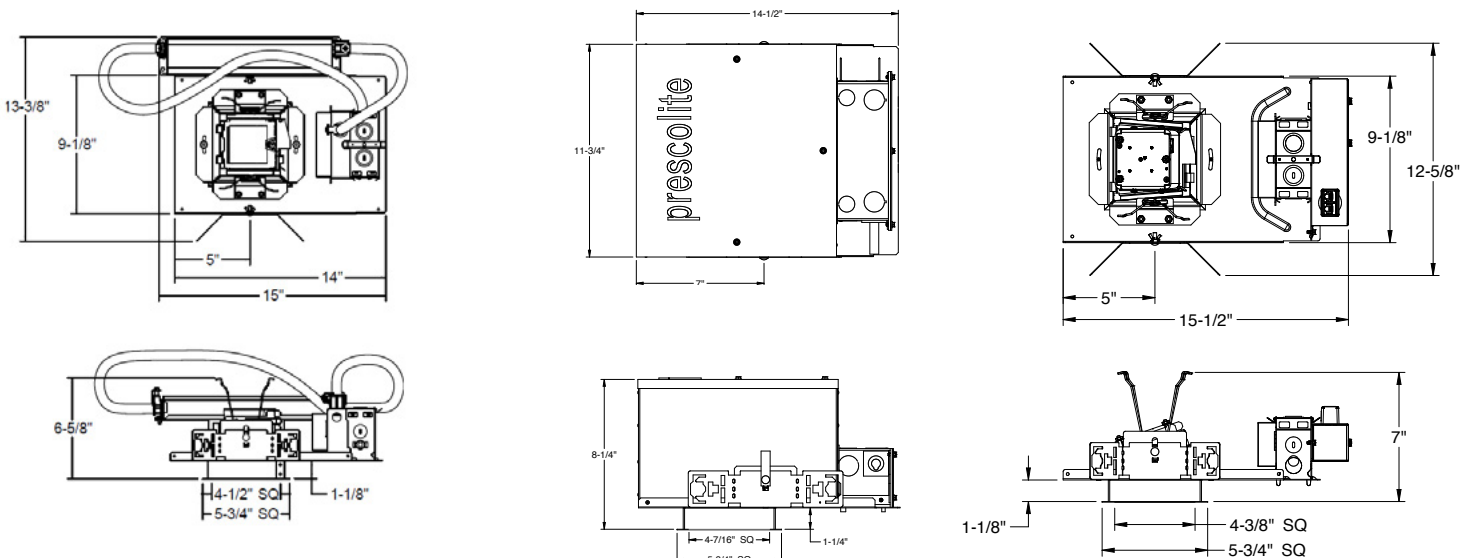
Supports indoor and outdoor applications, wired, wireless and hybrid networked NX lighting control deployments and enables emerging applications such as Hubbell Lighting's SpectraSync™ color tuning technology.

See separate [NX™ Solutions Guide](#) for additional details.

See Hubbell Controls Solution [NX Brochure](#).

## Dimming Compatibility Table

Dimming Ballast	Manufacturer	Web Link
DM/DM1	Lutron DDTV	<a href="http://bit.ly/11jSvZg">http://bit.ly/11jSvZg</a>
DM/DM1	Leviton AWRMG-7xx, AWSMG-7xx, AWSMT-7xx	<a href="http://bit.ly/1BIn2R9">http://bit.ly/1BIn2R9</a>
EDM	Lutron	<a href="http://bit.ly/1vtjHAL">http://bit.ly/1vtjHAL</a>
2DM	Lutron	<a href="http://bit.ly/1S4WjXK">http://bit.ly/1S4WjXK</a>



LF4SQSLWW EMR

LF4SQSL CP

LF4SQSLWW NX(W)E



Web: [www.prescolite.com](http://www.prescolite.com) • Tech Support: (888) 777-4832  
701 Millennium Boulevard • Greenville, SC 29607 U.S.A. • Phone (864) 678-1000  
Copyright ©2018 Prescolite, Inc., a division of Hubbell Lighting, Inc. All Rights Reserved  
Specifications subject to change without notice. • Printed in U.S.A. • LFR-LED-014 • 01/25/19

