

# 6" Square LED Wall Wash Downlight

## LF6SQSL WW

120V-277V  
0-10V Dimming

DATE: \_\_\_\_\_ TYPE: \_\_\_\_\_

FIRM NAME: \_\_\_\_\_

PROJECT: \_\_\_\_\_

# LiteFrame<sup>®</sup>

Ceiling Cutout: 6-3/4" x 6-3/4"  
Maximum Ceiling Thickness 1 1/4"  
For conversion to millimeters,  
multiply inches by 25.4  
Not to Scale

### APPLICATIONS:

LiteFrame LF6SQSL wall wash is a 6" specification grade LED downlight that utilizes high efficiency LEDs to obtain color consistency, energy savings, and low maintenance costs. 50,000 hours minimum life up to 35°C (95°F) in open plenum applications

### HOUSING:

One-piece 22 gauge non-corrosive steel platform. Pre-wired j-box with snap-on cover for easy access. Snap-in connection from driver compartment allows easy installation of light engine/trim assembly without tools above or below the ceiling and can be upgraded to accommodate technology improvements. Approve for 8 (4 in/4 out) No. 12 AWG conductors rated for 90°C through wiring.

### REFLECTOR:

High purity aluminum, Alzak, iridescence suppressed, semi-diffuse upper reflector. Wall wash comes standard with a self-trim and diffuse lens. Painted white self-trim (WT) available as option. Reflector is made from anodized Alano Miro 4 aluminum

### LED LIGHT ENGINE:

The LF6SQSL uses the Philips Fortimo DLM LED Module. This module provides controlled color consistency (3 SDCM) from fixture to fixture. The system is designed for optional life and lumen maintenance (>50,000 hours at 70% lumen maintenance). Both reflector and light engine assembly are mechanically retained to housing.

### LED DRIVER:

The LF6SQSL utilizes the Philips Fortimo LED Driver

specifically designed to optimize efficiency of the Fortimo DLM Module. Driver is designed to match the 50,000 hour minimum life expectancy of the system. Meets UL Class 2, inherent short circuit protection, self limited, overload protected. If critical temperatures are reached on driver or LED module, integrated thermal feedback loop will gradually reduce current to protect system life. Driver is universal 120V-277V. Optional Lutron Series A driver is also available.

### DIMMING:

Comes standard with 0-10V dimming capability. Flicker-free dimming to 10%. 0-10V control may consume up to 1mA. 0-10V, Lutron 2 wire and EcoSystem dimming available to 1% and DMX with RDM (remote device management) dimming to less than 0.1%.

### INSTALLATION:

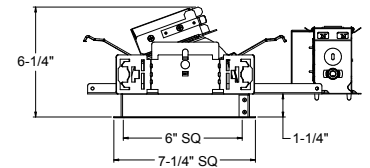
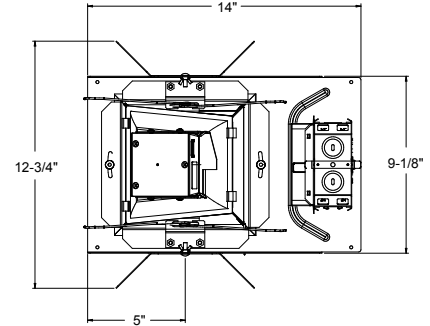
Adjustable Bar hangers included (not with CP option). Universal adjustable mounting brackets also accept 1/2" EMT conduit or 1 1/2" or 3/4" lathing channel (by others) or Prescolite 24" bar hangers (B24 or B6). Housing provides up to 6° rotational adjustment of the square trim.

### CERTIFICATIONS:

CSA certified to US and Canadian safety standards. Suitable for wet locations. Approved for through wiring. Non-IC rated. EMR is damp rated and for US use only.

### WARRANTY:

5 year warranty. See www.prescolite.com for details.



See page 4 for WW EMR, NX(W)E and CP linear

CATALOG NUMBER:

EXAMPLE: LF6SQSLWW-6SQSL15L30K8BLWW

Order housing, reflector, and accessories separately

HOUSING	DRIVER OPTIONS	VOLTAGE OPTION	HOUSING OPTIONS	TRIM APERTURE	KELVIN	CRI	REF. COLOR OPTIONS	REFLECTOR OPTIONS	ACCESSORIES
<input type="checkbox"/> <b>LF6SQSL</b> Standard Lumen 0-10V 10% dimming 120-277V	Standard 0-10V 10% Dimming <input type="checkbox"/> <b>DM1</b> 0-10V dimming at 1% <input type="checkbox"/> <b>DMT<sup>8,9</sup></b> SpectraSync™ Tunable White <input type="checkbox"/> <b>DMTW<sup>10</sup></b> SpectraSync™ Tunable Dim to Warm	Standard 120V:277V <input type="checkbox"/> <b>347</b> 347V	<input type="checkbox"/> <b>EMR<sup>3</sup></b> Emergency Battery Pack with remote test switch and indicator light <input type="checkbox"/> <b>CP<sup>3,4,5</sup></b> Chicago Plenum <input type="checkbox"/> <b>WW<sup>2</sup></b> Wall Wash <input type="checkbox"/> <b>LV<sup>7</sup></b> Lutron Vive Enabled, 0-10V, 120-277V <input type="checkbox"/> <b>NXWE<sup>4,12,13</sup></b> NX Wireless Enabled <input type="checkbox"/> <b>NXE<sup>4,12,13</sup></b> NX Enabled, Dual SmartPorts	<input type="checkbox"/> <b>6SQSL</b> Semi-Diffuse Clear Alzak  <b>OUTPUT</b> <input type="checkbox"/> <b>11L</b> 1100 Lumen Module <input type="checkbox"/> <b>15L</b> 1500 Lumen Module <input type="checkbox"/> <b>20L<sup>11</sup></b> 2000 Lumen Module	<input type="checkbox"/> <b>27K</b> 2700 Kelvin <input type="checkbox"/> <b>30K</b> 3000 Kelvin <input type="checkbox"/> <b>35K</b> 3500 Kelvin <input type="checkbox"/> <b>40K</b> 4000 Kelvin <input type="checkbox"/> <b>50K</b> 5000 Kelvin <input type="checkbox"/> <b>2230TD<sup>14</sup></b> 2200K-3000K SpectraSync™ Dim to Warm <input type="checkbox"/> <b>2750T<sup>14</sup></b> 2700K-5000K SpectraSync™ Tunable White <input type="checkbox"/> <b>2765T<sup>14</sup></b> 2700K-6500K SpectraSync™ Tunable White	<input type="checkbox"/> <b>8</b> 80+ CRI <input type="checkbox"/> <b>9</b> 90+ CRI	Standard Clear Alzak <input type="checkbox"/> <b>CG</b> Champagne Gold Alzak <input type="checkbox"/> <b>GD</b> Gold Alzak <input type="checkbox"/> <b>BL</b> Black Alzak <input type="checkbox"/> <b>WE</b> Wheat Alzak <input type="checkbox"/> <b>LW</b> Light Wheat Alzak <input type="checkbox"/> <b>PW</b> Pewter Alzak <input type="checkbox"/> <b>WH</b> Painted Matte White Reflector and Flange <input type="checkbox"/> <b>BC</b> Painted Black Reflector and Flange	<input type="checkbox"/> <b>WW<sup>2</sup></b> Wall Wash  <b>TRIM OPTIONS</b> <input type="checkbox"/> <b>WT</b> Painted White Flange Only  <b>Notes:</b> 1 For EDM, 2DM and DMX options, housing output must match trim output 2 WW option required on both housing and trim. 3 Not available with 347V 4 Not available with EM, EMR, DMX, LV or LVE 5 Bar hanger accessory should be selected with CP housing, not included as standard 6 See Central Inverter compatibility note and web links on page 2 7 LV requires standard dimming or DM1 8 Must select either 2750T or 2765T Kelvin with DMT driver option 9 Not available with LV or LVE 10 Must select 2230TD with DMTW driver option 11 Not compatible with DMT or DMTW 12 Not available with CP option 13 Not available with EDM, 2DM or DMX 14 Only available in 90+ CRI	<input type="checkbox"/> <b>B24<sup>5</sup></b> Set of two 24" bar hangers for T-bar ceilings <input type="checkbox"/> <b>B6<sup>5</sup></b> Set of two (2) bar hangers for ceiling joist up to 24" centers <input type="checkbox"/> <b>LiteGear<sup>6</sup></b> Inverter, single phase central lighting, 125VA-250VA <input type="checkbox"/> <b>LPS Series<sup>6</sup></b> LitePower micro- inverter, 20VA-55VA
<b>Use with EDM/2DM/DMX dimming option: Match Housing to Trim Output</b>									
<input type="checkbox"/> <b>LF6SQSL11L</b> <input type="checkbox"/> <b>LF6SQSL15L</b> <input type="checkbox"/> <b>LF6SQSL20L</b>	<input type="checkbox"/> <b>EDM<sup>1</sup></b> Hi-Lume 1% EcoSystem LED Driver <input type="checkbox"/> <b>2DM<sup>1</sup></b> Hi-Lume 1% 2-wire LED Driver (120V only) <input type="checkbox"/> <b>DMX<sup>1</sup></b> DMX with RDM dimming to <0.1%	<input type="checkbox"/> <b>120</b> 120V <input type="checkbox"/> <b>277</b> 277V	<input type="checkbox"/> <b>LVE (EDM Only)</b> Lutron Vive Enabled, EcoSystem  * EDM, 2DM & DMX also available with EMR and WWV						

STANDARD 0-10V DIMMING  
ALTERNATIVE DIMMING TO 1% & 0.1%

# PHOTOMETRIC DATA

## LiteFrame - 6" LF6SQSL WW Wall Wash

DRIVER DATA	6SQSL20L	6SQSL15L	6SQSL11L	
Input Voltage	120-277V	120-277V	120-277V	
Input Frequency	50/60 Hz	50/60 Hz	50/60Hz	
Input Current	0.180A (120V) 0.078A (277V)	0.133A (120V) 0.058A (277V)	0.105A (120V) 0.045A (277V)	
Input Power	21.6W	16.0W	12.6W	
Power Factor	≥0.90	≥0.90	≥0.90	
THD	<20%	<20%	<20%	
EMI Filtering	FCC 47CFR Part 15, Class A	FCC 47CFR Part 15, Class A	FCC 47CFR Part 15, Class A	
Operating Temperature	-20°C to 35°C	-20°C to 35°C	-20°C to 35°C	
Dimming	0-10V	0-10V	0-10V	
Over-voltage, over-current, short-circuit protected				
*Power consumption and photometric output may vary slightly with various driver and CRI options.				
When operating in EM mode, the fixture will deliver approximately 30% of the published full lumen output.				

### Lumen Multiplier Table

Photometrics published below are for the 3000K, 80 CRI. This table may be used to approximate the lumen values at different Kelvin temperatures and CRI.

4000 Kelvin	1.07
3500 Kelvin	1.00
3000 Kelvin	1.00
2700 Kelvin	0.95
80 CRI.....	1.00
90 CRI.....	0.91

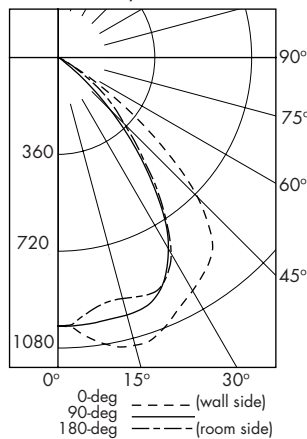
### Delivered Lumens

The table below shows the delivered lumens for the various lumen outputs.

Output	CRI	Distribution	Delivered Lumens	Input Watts	Lumens Per Watt	Full Catalog String
11L	80	WW	1082	12.6	86	LF6SQSLWW-6SQSL11L30K8WW
15L	80	WW	1453	16.0	91	LF6SQSLWW-6SQSL15L30K8WW
20L	80	WW	1859	21.6	86	LF6SQSLWW-6SQSL20L30K8WW

### LF6SQSLWW-6SQSL20L30K8WW

LED Light Engine: 3000K, 80 CRI  
System Wattage: 21.6W  
Fixture Delivered Lumens: 1859  
Fixture Efficacy: 86



CANDELA DISTRIBUTION				
DEG	0	90	180	
0	1000	1000	1000	
5	1034	1000	972	
15	1110	993	929	
25	1045	928	928	
35	962	663	680	
45	735	277	349	
55	244	29	141	
65	12	10	27	
75	7	2	3	
85	0	0	0	
90	0	0	0	

### LUMINANCE DATA IN CANDELA/SQ. METER

Angle in Vertical	0 DEG	90 DEG	180 DEG
45°	44734	47660	16827
55°	18297	21905	2190
65°	1224	1224	1049
75°	1142	571	286
85°	0	0	0

MULTIPLE UNITS											
UNITS ON 3" CENTER				UNITS ON 4" CENTER							
1'	2'	3'	4'	1'	2'	3'	4'	1'	2'	3'	4'

### 2.5' DISTANCE FIXTURE MOUNTED OUT FROM WALLS FOOTCANDLE DISTRIBUTION ON WALL SURFACE (Direct Only)

DISTANCE FROM CEILING IN FEET	UNITS ON 3" CENTER				UNITS ON 4" CENTER					
	1'	2'	3'	4'	1'	2'	3'	4'		
1	2	1	1	1	3	3	3	3	2	3
2	20	11	1	1	21	21	21	21	9	21
3	42	31	6	1	47	63	48	42	94	43
4	28	25	11	2	39	50	39	32	42	32
5	18	17	11	4	28	33	29	24	30	24
6	12	11	9	5	21	23	21	18	21	18
7	9	8	7	4	15	16	15	14	16	14
8	6	6	5	4	12	12	12	11	12	11
9	5	5	4	4	10	10	10	9	10	9

LF6SQSL-6SQSL20L30K8WW

Test No. 18.00416-02

Test No. 18.00416-02

Tested at 25°C Ambient in accordance to IESNA LM-79-2008



Web: [www.prescolite.com](http://www.prescolite.com) • Tech Support: (888) 777-4832  
701 Millennium Boulevard • Greenville, SC 29607 U.S.A. • Phone (864) 678-1000  
Copyright ©2018 Prescolite, Inc., a division of Hubbell Lighting, Inc. All Rights Reserved  
Specifications subject to change without notice. • Printed in U.S.A. • LFR-LED-017 • 01/07/19

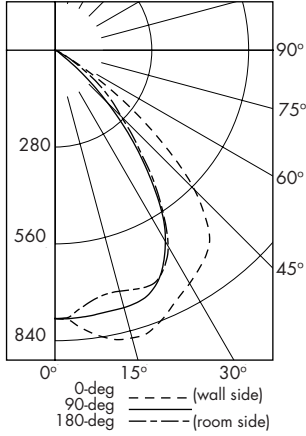


# PHOTOMETRIC DATA

## LiteFrame - 6" LF6SQSL WW Wall Wash

### LF6SQSL-6SQSL15L30K8WW

LED Light Engine: 3000K, 80 CRI  
 System Wattage: 16.0W  
 Fixture Delivered Lumens: 1453  
 Fixture Efficacy: 91



#### CANDELA DISTRIBUTION

DEG	0	45	90
0	782	782	782
5	808	782	760
15	868	776	727
25	817	725	725
35	752	518	532
45	575	216	273
55	191	23	110
65	9	8	21
75	5	1	3
85	0	0	0
90	0	0	0

#### LUMINANCE DATA IN CANDELA/SQ. METER

Angle in Vertical	0 DEG	90 DEG	180 DEG
45°	34967	37255	13153
55°	14302	17122	1712
65°	957	957	820
75°	893	446	223
85°	0	0	0

MULTIPLE UNITS	
UNITS ON 3" CENTER	UNITS ON 4" CENTER
1' 2' 3' 4'	1' 2' 3' 4'

#### 2.5' DISTANCE FIXTURE MOUNTED OUT FROM WALLS FOOTCANDLE DISTRIBUTION ON WALL SURFACE (Direct Only)

DISTANCE FROM CEILING IN FEET	1'				2'			3'			4'		
	1	2	1	1	1	2	2	2	2	2	2	2	2
2	16	8	1	1	1	16	17	16	16	7	16	16	
3	33	25	5	1	1	37	49	37	33	34	33	33	
4	22	20	9	2	1	31	39	31	25	33	25	25	
5	14	13	8	3	1	22	26	22	18	24	19	19	
6	9	9	7	4	1	16	18	16	14	17	14	14	
7	7	6	5	3	2	12	13	12	11	12	11	11	
8	5	5	4	3	2	9	10	9	9	9	9	9	
9	4	4	3	3	2	7	8	8	7	8	7	7	

LF6SQSL-6SQSL15L30K8WW

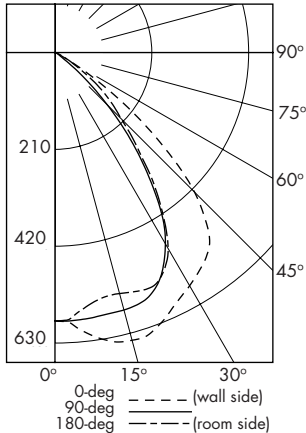
Test No. 18.00416-01

Test No. 18.00416-01

Tested at 25°C Ambient in accordance to IESNA LM-79-2008

### LF6SQSL-6SQSL11L30K8WW

LED Light Engine: 3000K, 80 CRI  
 System Wattage: 12.6W  
 Fixture Delivered Lumens: 1082  
 Fixture Efficacy: 86



#### CANDELA DISTRIBUTION

DEG	0	90	180
0	582	582	582
5	602	582	566
15	646	578	541
25	608	540	540
35	560	386	396
45	428	161	203
55	142	17	82
65	7	6	16
75	4	1	2
85	0	0	0
90	0	0	0

#### LUMINANCE DATA IN CANDELA/SQ. METER

Angle in Vertical	0 DEG	90 DEG	180 DEG
45°	26061	9803	12361
55°	10659	1276	6155
65°	713	611	1630
75°	665	166	333
85°	0	0	0

MULTIPLE UNITS	
UNITS ON 3" CENTER	UNITS ON 4" CENTER
1' 2' 3' 4'	1' 2' 3' 4'

#### 2.5' DISTANCE FIXTURE MOUNTED OUT FROM WALLS FOOTCANDLE DISTRIBUTION ON WALL SURFACE (Direct Only)

DISTANCE FROM CEILING IN FEET	1'				2'			3'			4'		
	1	1	1	1	0	0	2	2	2	2	1	2	2
2	12	6	1	1	0	12	12	12	12	5	12	12	
3	24	18	3	1	0	28	37	28	25	26	25	25	
4	16	15	6	1	1	23	29	23	19	25	19	19	
5	10	10	10	6	2	12	19	17	14	18	14	14	
6	7	7	7	5	3	12	13	12	10	12	10	10	
7	5	5	5	4	3	9	9	9	8	9	8	8	
8	4	4	3	2	1	7	7	7	6	7	6	6	
9	3	3	3	3	2	6	6	6	5	6	5	5	

LF6SQSL-6SQSL11L30K8-WW

Test No. 18.00416

Test No. 18.00416

Tested at 25°C Ambient in accordance to IESNA LM-79-2008



Web: [www.prescolite.com](http://www.prescolite.com) • Tech Support: (888) 777-4832  
 701 Millennium Boulevard • Greenville, SC 29607 U.S.A. • Phone (864) 678-1000  
 Copyright ©2018 Prescolite, Inc., a division of Hubbell Lighting, Inc. All Rights Reserved  
 Specifications subject to change without notice. • Printed in U.S.A. • LFR-LED-017 • 01/07/19



# LiteFrame - 6" LF6SQSL WW Wall Wash

## Dimming Compatibility Table

Dimming Ballast	Manufacturer	Web Link
DM/DM1	Lutron DDTV	<a href="http://bit.ly/11jSvZg">http://bit.ly/11jSvZg</a>
DM/DM1	Leviton AWRMG-7xx, AWSMG-7xx, AWSMT-7xx	<a href="http://bit.ly/1Bjn2R9">http://bit.ly/1Bjn2R9</a>
EDM	Lutron	<a href="http://bit.ly/1vtjHAL">http://bit.ly/1vtjHAL</a>
2DM	Lutron	<a href="http://bit.ly/1S4WjXK">http://bit.ly/1S4WjXK</a>

### DMX

See instruction sheet on [www.prescolite.com](http://www.prescolite.com) for connection & installation information.  
Other useful links: <http://www.eldoled.com/led-drivers/powerdrive/50-watt/ac-561s/>

### Central Inverters

For full fixture output in back-up mode, we recommend you visit [www.dual-lite.com](http://www.dual-lite.com) for your Central Lighting Inverter options. Please contact your local Hubbell representative for any assistance with proper sizing and loading of your inverter selection. Central lighting inverters must be ordered separately.

**LiteGear:** [www.dual-lite.com/products/litegear\\_lg\\_series](http://www.dual-lite.com/products/litegear_lg_series)

**LPS Series:** [www.dual-lite.com/products/lps](http://www.dual-lite.com/products/lps)

### SpectraSync™ Color Tuning Technology:

Control your space based on the needs of the application, specific activities throughout the day and preferences of the occupants with two distinct SpectraSync™ Color Tuning Technology.

**Dim to Warm:** Dim to Warm mimics the familiar warming effect that occurs with traditional incandescent sources as they are dimmed. (Available with 2200K-3000K).

**Tunable White:** Tunable White offers users the ability to tailor CCT to their personal preference, enhancing task visibility, material and colors or the aesthetics of the space. (Available with 2700K-5000K or 2700K-6500K).

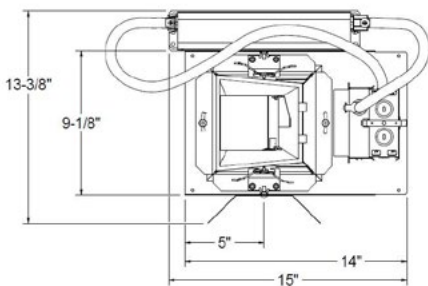
See separate [SpectraSync™ Tech Sheet](#) for additional details.

### NX Distributed Intelligence:

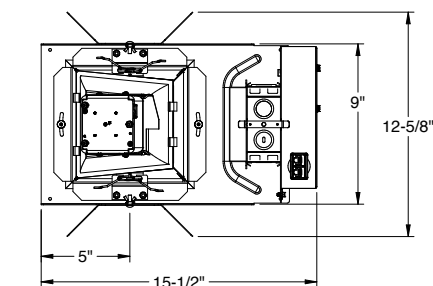
Supports indoor and outdoor applications, wired, wireless and hybrid networked NX lighting control deployments and enables emerging applications such as Hubbell Lighting's SpectraSync™ color tuning technology.

See separate [NX™ Solutions Guide](#) for additional details.

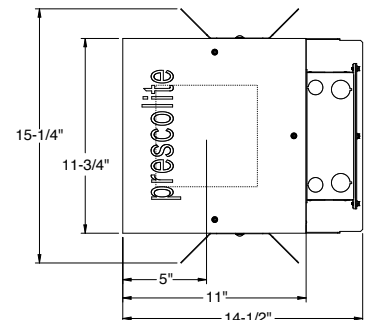
See Hubbell Controls Solution [NX Brochure](#).



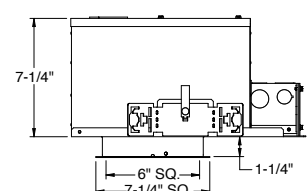
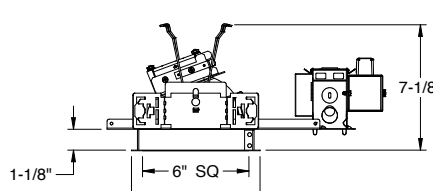
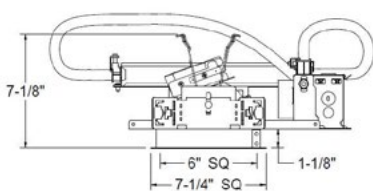
**LF6SQSLWW EMR**



**LF6SQSLWW NX(W)E**



**LF6SQSL CP**



Web: [www.prescolite.com](http://www.prescolite.com) • Tech Support: (888) 777-4832  
701 Millennium Boulevard • Greenville, SC 29607 U.S.A. • Phone (864) 678-1000  
Copyright ©2018 Prescolite, Inc., a division of Hubbell Lighting, Inc. All Rights Reserved  
Specifications subject to change without notice. • Printed in U.S.A. • LFR-LED-017 • 01/07/19

