

4" LED Wall Wash Downlight

LF4SL WW

120V-277V
0-10V Dimming

DATE: _____ TYPE: _____

FIRM NAME: _____

PROJECT: _____



Ceiling Cutout: 5"
Maximum Ceiling Thickness ⁵/₈"
For conversion to millimeters,
multiply inches by 25.4
Not to Scale

APPLICATIONS:

LiteFrame LF4SL is a 4" specification grade LED wall wash downlight that utilizes high efficiency LEDs to obtain color consistency, energy savings, and low maintenance costs. 50,000 hours minimum life up to 35°C (95°F) in open plenum applications.

HOUSING:

One-piece 22 gauge non-corrosive steel platform. Pre-wired j-box with snap-on cover for easy access. Snap-in connection from driver compartment allows easy installation of light engine/trim assembly without tools above or below the ceiling and can be upgraded to accommodate technology improvements. Approve for 8 (4 in/4 out) No. 12 AWG conductors rated for 90°C through wiring.

REFLECTOR:

High purity aluminum, Alzak, iridescence suppressed, semi-diffuse reflector. Self-trim standard. Painted white self-trim (WT) available as option.

LED LIGHT ENGINE:

The LF4SL uses the Philips Fortimo DLM LED Module. This module provides controlled color consistency (3 SDCM) from fixture to fixture. The system is designed for optional life and lumen maintenance (>50,000 hours at 70% lumen maintenance). Both reflector and light engine assembly are mechanically retained to housing.

LED DRIVER:

The LF4SL utilizes the Philips Fortimo LED Driver specifically designed to optimize efficiency of the Fortimo DLM Module. Driver is designed to match the 50,000 hours minimum life expectancy of the system. Meets UL Class 2, inherent short circuit protection, self limited, overload protected. If critical temperatures are reached on driver or LED module, integrated thermal feedback loop will gradually reduce current to protect system life. Driver is universal 120V-277V. Optional Lutron Series A driver is also available.

DIMMING:

Comes standard with 0-10V dimming capability. Flicker-free dimming to 10%. 0-10V control may consume up to 1mA. 0-10V, Lutron 2 wire and EcoSystem dimming available to 1% and DMX with RDM (remote device management) dimming to less than 0.1%.

INSTALLATION:

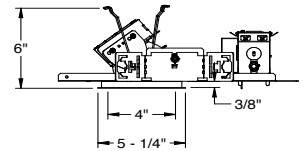
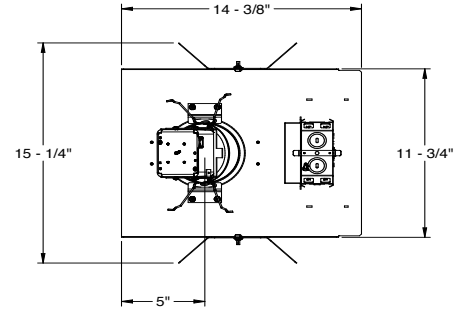
Adjustable Bar hangers included (not with CP option). Universal adjustable mounting brackets also accept 1/2" EMT conduit or 1 1/2" or 3/4" lathing channel (by others) or Prescolite 24" bar hangers (B24 or B6).

CERTIFICATIONS:

CSA certified to US and Canadian safety standards. Suitable for wet locations. Approved for through wiring. Non-IC rated.

WARRANTY:

5 year warranty. See www.prescolite.com for details.



See page 4 for CP, EMR, LV(E) and NX(W/E) line art

CATALOG NUMBER:

EXAMPLE: LF4SLDM1-4LFLS15L35K8WWWWT

Order housing, reflector, and accessories separately

HOUSING	DRIVER OPTION	VOLTAGE OPTION	HOUSING OPTIONS	TRIM APERTURE	KELVIN	CRI	REF. COLOR OPTIONS	REFLECTOR OPTIONS	ACCESSORIES
<input type="checkbox"/> LF4SL Standard Lumen 0-10V 10% dimming 120-277V	Standard 0-10V 10% Dimming <input type="checkbox"/> DM1 0-10V dimming at 1% <input type="checkbox"/> DMT^{8,9} SpectraSync™ Tunable White <input type="checkbox"/> DMTW¹⁰ SpectraSync™ Tunable Dim to Warm	Standard 120V-277V <input type="checkbox"/> 347 347V	<input type="checkbox"/> EMR² Emergency Battery Pack with remote test switch and indicator light <input type="checkbox"/> CP^{2,4,5,11,13} Chicago Plenum <input type="checkbox"/> LV⁷ Lutron Vive Enabled, 0-10V, 120-277V <input type="checkbox"/> NXWE^{4,12,13} NX Wireless Enabled <input type="checkbox"/> NXE^{5,12,13} NX Enabled, Dual SmartPorts	<input type="checkbox"/> 4LFLS Semi-Diffuse Clear Alzak OUTPUT <input type="checkbox"/> 11L 1100 Lumen Module <input type="checkbox"/> 15L 1500 Lumen Module <input type="checkbox"/> 20L¹¹ 2000 Lumen Module	<input type="checkbox"/> 27K 2700 Kelvin <input type="checkbox"/> 30K 3000 Kelvin <input type="checkbox"/> 35K 3500 Kelvin <input type="checkbox"/> 40K 4000 Kelvin <input type="checkbox"/> 50K 5000 Kelvin <input type="checkbox"/> 2230TD¹⁴ 2200K-3000K SpectraSync™ Dim to Warm <input type="checkbox"/> 2750T¹⁴ 2700K-5000K SpectraSync™ Tunable White <input type="checkbox"/> 2765T¹⁴ 2700K-6500K SpectraSync™ Tunable White	<input type="checkbox"/> 8 80+ CRI <input type="checkbox"/> 9 90+ CRI REF. FINISH OPTIONS Standard Semi-Diffuse <input type="checkbox"/> SP Specular <input type="checkbox"/> SS Semi-Specular <input type="checkbox"/> MFC American Matte™ <input type="checkbox"/> V Kurt Versen Specular <input type="checkbox"/> VS Kurt Versen Softglow® <input type="checkbox"/> VSS Kurt Versen SoftSheen™	Standard Clear Alzak <input type="checkbox"/> CG Champagne Gold Alzak <input type="checkbox"/> GD Gold Alzak <input type="checkbox"/> BL Black Alzak <input type="checkbox"/> WE Wheat Alzak <input type="checkbox"/> LW Light Wheat Alzak <input type="checkbox"/> PW Pewter Alzak <input type="checkbox"/> WH Painted Matte White Reflector and Flange <input type="checkbox"/> BC Painted Black Reflector and Flange	<input type="checkbox"/> AM³ Antimicrobial coating on clear Alzak reflector only <input type="checkbox"/> WW Wall Wash TRIM OPTIONS <input type="checkbox"/> WT Painted White Flange Only <input type="checkbox"/> TRG Trim Ring Gasket	<input type="checkbox"/> B24⁵ Set of two 24" bar hangers for T-bar ceilings <input type="checkbox"/> B6⁶ Set of two (2) bar hangers for ceiling joist up to 24" centers <input type="checkbox"/> LiteGear⁶ Inverter, single phase central lighting, 125VA-250VA <input type="checkbox"/> LPS Series⁶ LitePower micro-inverter, 20VA-55VA
Use with EDM/2DM/DMX dimming option: Match Housing to Trim Output									
<input type="checkbox"/> LF4SL11L <input type="checkbox"/> LF4SL15L <input type="checkbox"/> LF4SL20L	<input type="checkbox"/> EDM¹ Hi-Lume 1% EcoSystem LED Driver <input type="checkbox"/> 2DM¹ Hi-Lume 1% 2-wire LED Driver (120V only) <input type="checkbox"/> DMX¹ DMX with RDM dimming to <0.1%	<input type="checkbox"/> 120 120V <input type="checkbox"/> 277 277V	<input type="checkbox"/> LVE (EDM Only) Lutron Vive Enabled, EcoSystem	<i>*EDM, 2DM & DMX also available with EMR and WW</i>					

STANDARD 0-10V DIMMING
ALTERNATIVE DIMMING TO 1% & 0.1%

Notes:
¹ For EDM, 2DM, and DMX options, housing output must match trim output
² Not available with 347V
³ Clear Alzak standard. Consult factory for other colors
⁴ Not available with EMR, DMX, LV, or LVE
⁵ Bar hanger accessory should be selected with CP housing, not included as standard
⁶ See Central Inverter compatibility note and web links on page 2
⁷ LV requires standard dimming or DM1
⁸ Must select either 2750T or 2765T Kelvin with DMT driver option
⁹ Not available with LV or LVE
¹⁰ Must select 2230TD with DMTW driver option
¹¹ Not compatible with DMT or DMTW
¹² Not available with CP option
¹³ Not available with EDM, 2DM or DMX
¹⁴ Only available in 90+ CRI



In a continuing effort to offer the best product possible we reserve the right to change, without notice, specifications or materials that in our opinion will not alter the function of the product.
 Web: www.prescolite.com • Tech Support: (888) 777-4832

LFR-LED-030

PHOTOMETRIC DATA

LiteFrame - 4" LF4SL WW Wall Wash

DRIVER DATA	4LFSL20L	4LFSL15L	4LFSL11L
Input Voltage	120-277V	120-277V	120-277V
Input Frequency	50/60 Hz	50/60 Hz	50/60 Hz
Input Current	0.180A (120V) 0.078A (277V)	0.133A (120V) 0.058A (277V)	0.105A (120V) 0.045A (277V)
Input Power	21.6W	16.0W	12.6W
Power Factor	≥0.90	≥0.90	≥0.90
THD	<20%	<20%	<20%
EMI Filtering	FCC 47CFR Part 15, Class A	FCC 47CFR Part 15, Class A	FCC 47CFR Part 15, Class A
Operating Temperature	-20°C to 35°C	-20°C to 35°C	-20°C to 35°C
Dimming	0-10V	0-10V	0-10V

Over-voltage, over-current, short-circuit protected

*Power consumption and photometric output may vary slightly with various driver and CRI options.

Lumen Multiplier Table

Photometrics published below are for the 3000K, 80 CRI. This table may be used to approximate the lumen values at different Kelvin temperatures and CRI.

4000 Kelvin	1.07
3500 Kelvin	1.00
3000 Kelvin	1.00
2700 Kelvin	0.95
80 CRI.....	1.00
90 CRI.....	0.91

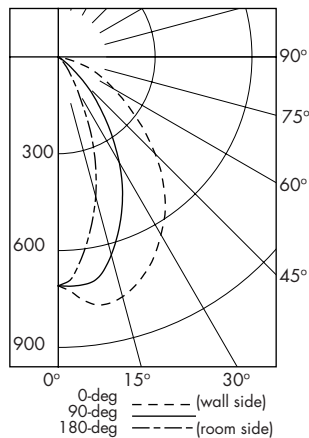
Delivered Lumens

The table below shows the delivered lumens for the various lumen outputs.

Output	CRI	Distribution	Delivered Lumens	Input Watts	Lumens Per Watt	Full Catalog String
11L	80	WW	886	12.6	70	LF4SL-4LFSL11L30K8WW
15L	80	WW	1168	16.0	73	LF4SL-4LFSL15L30K8WW
20L	80	WW	1590	21.6	74	LF4SL-4LFSL20L30K8WW

LF4SL-4LFSL20L30K8WW

LED Light Engine: 3000K, 80 CRI
System Wattage: 21.6W
Fixture Delivered Lumens: 1590
Fixture Efficacy: 74



CANDELA DISTRIBUTION

DEG	0	90	180
0	709	709	709
5	749	711	659
15	769	635	448
25	693	471	209
35	578	282	65
45	424	121	15
55	264	20	1
65	148	2	0
75	48	0	0
85	1	0	0
90	0	0	0

LUMINANCE DATA IN CANDELA/SQ. METER

Angle in Vertical	0 DEG	90 DEG	180 DEG
45°	73961	21107	2617
55°	56772	4301	215
65°	43195	584	0
75°	22875	0	0
85°	1415	0	0



2.5' DISTANCE FIXTURE MOUNTED OUT FROM WALLS FOOTCANDLE DISTRIBUTION ON WALL SURFACE (Direct Only)

DISTANCE FROM CEILING IN FEET	MULTIPLE UNITS												
	UNITS ON 3' CENTER				UNITS ON 4' CENTER								
1	8	2	0	0	0	9	3	9	14	3	14		
2	23	10	2	0	0	25	19	25	25	13	25		
3	24	14	4	1	0	27	28	27	24	20	24		
4	17	12	5	1	1	22	24	22	18	18	18		
5	11	9	5	2	1	16	18	16	13	15	13		
6	8	7	4	2	1	12	13	12	10	11	10		
7	6	5	3	2	1	9	10	9	8	9	8		
8	4	4	3	2	1	7	8	7	6	7	6		
9	3	3	3	2	1	6	6	6	5	6	5		

LF4SL-4LFSL20L30K8WW

Test No. 18.00408

Test No. 18.00408

Tested at 25°C Ambient in accordance to IESNA LM-79-2008



Web: www.prescolite.com • Tech Support: (888) 777-4832
701 Millennium Boulevard • Greenville, SC 29607 U.S.A. • Phone (864) 678-1000
Copyright ©2018 Prescolite, Inc., a division of Hubbell Lighting, Inc. All Rights Reserved
Specifications subject to change without notice. • Printed in U.S.A. • LFR-LED-030 • 01/16/19

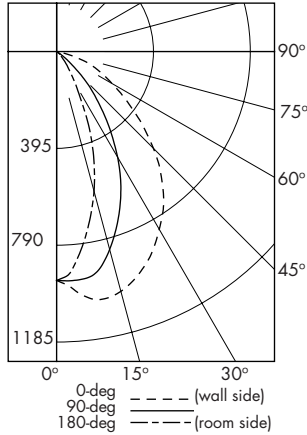


PHOTOMETRIC DATA

LiteFrame - 4" LF4SL WW Wall Wash

LF4SL-4LFSL15L30K8WW

LED Light Engine: 3000K, 80 CRI
System Wattage: 16.0W
Fixture Delivered Lumens: 1186
Fixture Efficacy: 73



CANDELA DISTRIBUTION

DEG	0	90	180
0	934	934	934
5	987	937	868
15	1013	837	590
25	913	621	275
35	762	372	86
45	559	159	20
55	348	26	1
65	195	3	0
75	63	0	0
85	1	0	0
90	0	0	0

Test No. 18.00408-01

Tested at 25°C Ambient in accordance to IESNA LM-79-2008

LUMINANCE DATA IN CANDELA/SQ. METER

Angle in Vertical	0 DEG	90 DEG	180 DEG
45°	97353	73933	27782
55°	74727	42742	5661
65°	56857	19977	768
75°	30110	2509	0
85°	1862	0	0



2.5' DISTANCE FIXTURE MOUNTED OUT FROM WALLS FOOTCANDLE DISTRIBUTION ON WALL SURFACE (Direct Only)

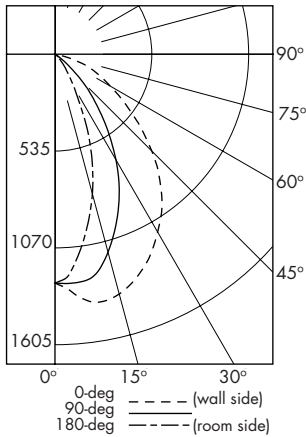
DISTANCE FROM CEILING IN FEET	1'				2'				3'				4'			
	1	2	3	4	1	2	3	4	1	2	3	4	1	2	3	4
1	18	4	1	0	0	11	4	11	11	2	11	11	2	11	11	
2	32	15	2	1	0	33	26	33	31	14	31	31	14	31	31	
3	30	18	5	1	1	36	37	36	33	25	33	33	25	33	33	
4	21	15	6	2	1	29	32	29	25	25	25	25	25	25	25	
5	14	11	6	3	1	21	24	21	18	20	19	18	20	19	19	
6	10	8	5	3	1	16	17	16	14	15	14	14	15	14	14	
7	7	6	4	3	2	12	13	12	11	12	11	11	12	11	11	
8	5	5	4	2	2	9	10	9	8	9	8	8	9	8	8	
9	4	4	3	2	2	8	8	8	7	8	7	7	8	7	7	

LF4SL-4LFSL15L30K8WW

Test No. 18.00408-01

LF4SL-4LFSL11L30K8WW

LED Light Engine: 3000K, 80 CRI
System Wattage: 12.6W
Fixture Delivered Lumens: 886
Fixture Efficacy: 70



CANDELA DISTRIBUTION

DEG	0	90	180
0	1272	1272	1272
5	1344	1276	1182
15	1380	1139	804
25	1243	845	375
35	1037	506	117
45	761	217	27
55	474	36	2
65	266	4	0
75	86	0	0
85	2	0	0
90	0	0	0

Test No. 18.00408-02

Tested at 25°C Ambient in accordance to IESNA LM-79-2008

LUMINANCE DATA IN CANDELA/SQ. METER

Angle in Vertical	0 DEG	90 DEG	180 DEG
45°	132584	100689	37837
55°	101771	58210	7710
65°	77433	27206	1047
75°	41007	3417	0
85°	2537	0	0



2.5' DISTANCE FIXTURE MOUNTED OUT FROM WALLS FOOTCANDLE DISTRIBUTION ON WALL SURFACE (Direct Only)

DISTANCE FROM CEILING IN FEET	1'				2'				3'				4'			
	1	2	3	4	1	2	3	4	1	2	3	4	1	2	3	4
1	25	6	1	1	1	15	6	15	15	3	15	15	3	15	15	
2	44	20	3	1	1	45	34	45	43	19	43	43	19	43	43	
3	40	25	7	2	1	49	51	49	45	34	45	45	34	45	45	
4	28	21	9	3	1	39	44	39	34	34	35	34	34	35	35	
5	19	15	8	4	2	29	33	29	25	28	25	25	28	25	25	
6	13	11	7	4	2	21	24	22	19	21	19	19	21	19	19	
7	9	8	6	4	2	16	18	16	14	16	15	14	16	15	15	
8	7	7	5	3	2	13	14	13	11	13	12	11	13	12	12	
9	6	5	4	3	2	11	11	11	10	11	10	10	11	10	10	

LF4SL-4LFSL11L30K8WW

Test No. 18.00408-02



Web: www.prescolite.com • Tech Support: (888) 777-4832
701 Millennium Boulevard • Greenville, SC 29607 U.S.A. • Phone (864) 678-1000
Copyright ©2018 Prescolite, Inc., a division of Hubbell Lighting, Inc. All Rights Reserved
Specifications subject to change without notice. • Printed in U.S.A. • LFR-LED-030 • 01/16/19



Dimming Compatibility Table

Dimming Ballast	Manufacturer	Web Link
DM/DM1	Lutron DTV	http://bit.ly/11jSvZg
DM/DM1	Leviton AWRMG-7xx, AWSMG-7xx, AWSMT-7xx	http://bit.ly/1BJn2R9
EDM	Lutron	http://bit.ly/1vtjHAL
2DM	Lutron	http://bit.ly/1S4WjXK

Central Inverters

For full fixture output in back-up mode, we recommend you visit www.dual-lite.com for your Central Lighting Inverter options. Please contact your local Hubbell representative for any assistance with proper sizing and loading of your inverter selection. Central lighting inverters must be ordered separately.

LiteGear: www.dual-lite.com/products/litegear_lg_series

LPS Series: www.dual-lite.com/products/lps

DMX

See instruction sheet on www.prescolite.com for connection & installation information.

Other useful links: <http://www.eldoled.com/led-drivers/powerdrive/50-watt/ac-561s/>

SpectraSync™ Color Tuning Technology:

Control your space based on the needs of the application, specific activities throughout the day and preferences of the occupants with two distinct SpectraSync™ Color Tuning Technology.

Dim to Warm: Dim to Warm mimics the familiar warming effect that occurs with traditional incandescent sources as they are dimmed. (Available with 2200K-3000K).

Tunable White: Tunable White offers users the ability to tailor CCT to their personal preference, enhancing task visibility, material and colors or the aesthetics of the space. (Available with 2700K-5000K or 2700K-6500K).

See separate [SpectraSync™ Tech Sheet](#) for additional details.

NX Distributed Intelligence:

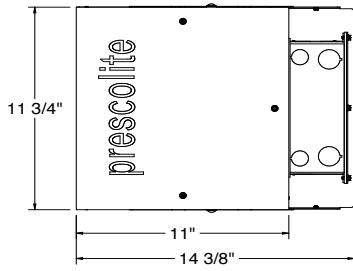
Supports indoor and outdoor applications, wired, wireless and hybrid networked NX lighting control deployments and enables emerging applications such as Hubbell Lighting's SpectraSync™ color tuning technology.

See separate [NX™ Solutions Guide](#) for additional details.

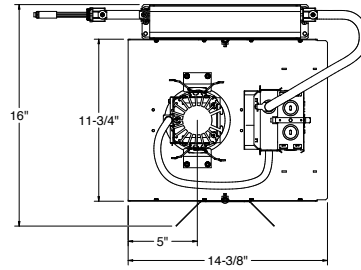
See Hubbell Controls Solution [NX Brochure](#).



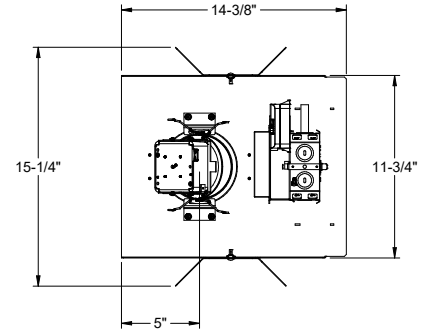
LiteFrame - 4" LF4SL WW Wall Wash



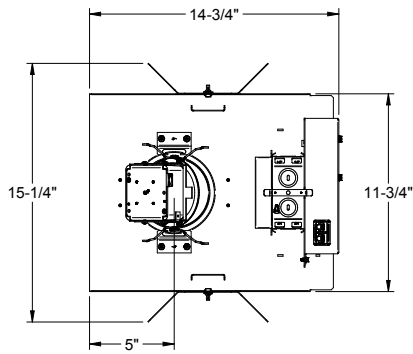
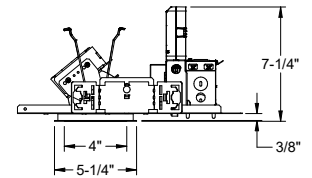
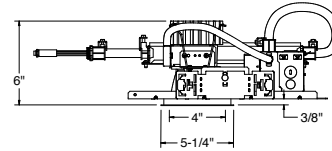
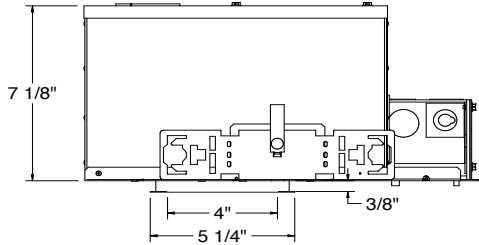
LF4SLWW CP



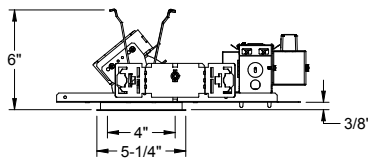
LF4SLWW EMR



LF4SLWW LV(E)



LF4SLWW NX(W)E



Web: www.prescolite.com • Tech Support: (888) 777-4832
 701 Millennium Boulevard • Greenville, SC 29607 U.S.A. • Phone (864) 678-1000
 Copyright ©2018 Prescolite, Inc., a division of Hubbell Lighting, Inc. All Rights Reserved
 Specifications subject to change without notice. • Printed in U.S.A. • LFR-LED-030 • 01/16/19

