



4" LED Downlight

LC4SL

1000/1400/1800 Lumens
120V-277V, 347V
0-10V Dimming w

APPLICATIONS:

LiteFrame Commercial LC4SL is a 4" commercial grade LED downlight with available outputs between 1000-1800 lumens. This is suitable to replace most CFL downlighting applications, while realizing substantial energy and maintenance savings. Rated for a minimum of 50,000 hours life (70% lumen maintenance) with ambient plenum temperatures up to 35°C. Free Air Flow around the fixture is required for optimal life performance. This product is not recommended for use with 3rd party "FIREHAT" or insulation barriers.

HOUSING:

One-piece 22 gauge non-corrosive steel platform. Pre-wired J-box with snap-on cover for easy access. Snap-in connection from driver compartment allows easy installation of light engine/trim assembly and can be upgraded to accommodate technology improvements. Approved for 8 (4 in/4 out) No. 12 AWG conductors rated for 90°C through wiring.

REFLECTOR:

High purity aluminum, Alzak, iridescence suppressed, semi-diffuse reflector. Self-trim standard. Painted white self-trim (WT) available as option.

LED LIGHT ENGINE:

The LC4SL uses mid power LEDs, specifically mixed to provide a minimum of 80 CRI with 3 SDCM color consistency. The use of multiple mid power LEDs allows for optimal thermal management by effectively spreading the heat over a larger area and eliminating hot spots on the LEDs. A diffuse, yet highly transmissive lens obscures the view of the LEDs and creates a smooth, even look from below. The light engine is available in multiple Kelvin temperatures and the system is designed to provide optimal life and lumen maintenance (50,000 hours at 70% lumen maintenance). The reflector/light engine assembly is mechanically retained to the housing.

LED DRIVER:

The LC4SL utilizes a constant current LED driver. This same driver is capable of running all three different lumen outputs, resulting in a reduction of housing sku's and simplified specification. The driver is UL8750, Class II compliant and universal 120V-277V.

DIMMING:

Comes standard with flicker-free 0-10V dimming to 10%. 0-10V to 1% dimming option is also available. See list of compatible dimmers on page (4). For the sizing of the control circuit, the dimming circuit may require up to 2mA of sink current.

INSTALLATION:

Light commercial bar hangers included. Universal adjustable mounting brackets also accept 1/2" EMT conduit or 1 1/2" or 3/4" lathing channel (by others) or Prescolite 24" bar hangers (B24 or B6). Wall wash orientation may be field adjusted in 90° increments to housing.

CERTIFICATIONS:

CSA certified to US and Canadian safety standards. Suitable for wet locations (EM, EMR and WW damp location). Standard model is ENERGY STAR qualified. This product qualifies as a "designated country construction material" per FAR 52.225-11 Buy American-Construction. Materials under Trade Agreements effective 6/10/2020. See [Buy American Solutions](#).

WARRANTY:

5 year warranty. See www.prescolite.com for details.

DATE: _____ TYPE: _____

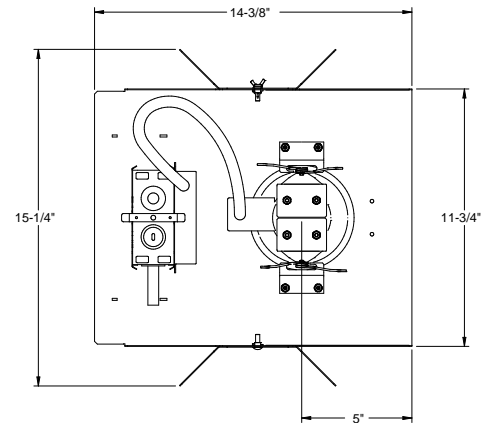
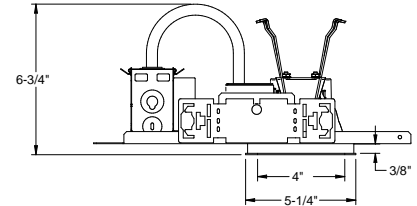
FIRM NAME: _____

PROJECT: _____

LiteFrame®



Ceiling Cutout: 5"
Maximum Ceiling Thickness ⁵/₈"
For conversion to millimeters,
multiply inches by 25.4
Not to Scale



LC4SL 10L, 14L, & 18L

See page 4 for LC4SL CP lineart
See page 4 for LC4SL EM/EMR lineart

Order housing, reflector, and accessories separately

CATALOG NUMBER:

EXAMPLE: LC4SL4LCSL14L35K9WT

HOUSING	DRIVER OPTIONS	VOLTAGE	HOUSING OPTIONS	TRIM APERTURE	OUTPUT	KELVIN	CRI	REF. FINISH/ COLOR OPTION	REFLECTOR OPTIONS	ACCESSORIES
<input type="checkbox"/> LC4SL Standard Lumen 0-10V 10% dimming 120V-277V	<input type="checkbox"/> Standard 0-10V 10% Dimming <input type="checkbox"/> DM1 0-10V 1% Dimming	<input type="checkbox"/> Standard 120V-277V <input type="checkbox"/> 347² 347V	<input type="checkbox"/> EM^{3,4,5} Integral Battery Pack <input type="checkbox"/> EMR^{3,4} Remote Battery Pack <input type="checkbox"/> CP² Chicago Plenum	<input type="checkbox"/> 4LCSL Standard Clear Alzak Reflector	<input type="checkbox"/> 10L 1000 Lumen <input type="checkbox"/> 14L 1400 Lumen <input type="checkbox"/> 18L 1800 Lumen	<input type="checkbox"/> 27K 2700 Kelvin <input type="checkbox"/> 30K 3000 Kelvin <input type="checkbox"/> 35K 3500 Kelvin <input type="checkbox"/> 40K 4000 Kelvin <input type="checkbox"/> 50K 5000 Kelvin	<input type="checkbox"/> 8 80+ CRI <input type="checkbox"/> 9 90+ CRI	<input type="checkbox"/> Standard, Semi-Diffuse Clear Alzak <input type="checkbox"/> WH Painted Matte White Reflector and Flange	<input type="checkbox"/> WT Painted White Flange Only <input type="checkbox"/> WF Wide Flange <input type="checkbox"/> WW³ Wall Wash <input type="checkbox"/> EM^{3,4,5} Pre-punched reflector to accept integral test switch <input type="checkbox"/> IP65⁶ Flush Lens, IP65/66 rated <input type="checkbox"/> VR⁶ Vandal Resistant Flush Lens, IP65/66 rated	<input type="checkbox"/> B24 Set of two(2) 24" bar hangers for T-bar ceilings <input type="checkbox"/> B6 Set of two (2) bar hangers for ceiling joist up to 24" centers <input type="checkbox"/> LiteGear¹ Inverter, single phase central lighting, 125VA- 250VA <input type="checkbox"/> LPS Series¹ LitePower micro-inverter, 20VA-55VA

¹ See Central Inverter compatibility note and web links on page 4.

² Not compatible with EM or EMR

³ Damp location only

⁴ Not compatible with CP

⁵ EM must be selected on both the housing and the trim, not compatible with WW trim

⁶ IP65 and VR cannot be chosen together, not compatible with WT, WF, or EM.



A Division of Hubbell Lighting, Inc.

In a continuing effort to offer the best product possible we reserve the right to change, without notice, specifications or materials that in our opinion will not alter the function of the product.
Web: www.prescolite.com • Tech Support: (888) 777-4832

LFR-LED-057

PHOTOMETRIC DATA

LiteFrame - 4" LC4SL Downlight

DRIVER DATA	4LC4SL10Lxxx	4LC4SL14Lxxx	4LC4SL18Lxxx
Input Voltage	120-277V	120-277V	120-277V
Input Frequency	50/60 Hz	50/60 Hz	50/60 Hz
Input Current	0.111 (120v) 0.048 (277v)	0.148 (120v) 0.064 (277v)	0.185 (120v) 0.080 (277v)
Input Power	13.4W	17.8W	22.2W
Constant Current Output	700mA	700mA	700mA
Power Factor	≥0.90	≥0.90	≥0.90
THD	<25%	<20%	<20%
EMI Filtering	FCC 47CFR Part 15, Class A	FCC 47CFR Part 15, Class A	FCC 47CFR Part 15, Class A
Operating Temperature	-30°C to +35°C	-30°C to +28°C	-30°C to +25°C
Dimming	0-10V	0-10V	0-10V

Lumen Multiplier Table

Photometrics for the LC4SL are published below at a nominal 3500 Kelvin temperature. This table may be used to approximate the lumen values at different Kelvin temperatures. Power consumption would stay the same.

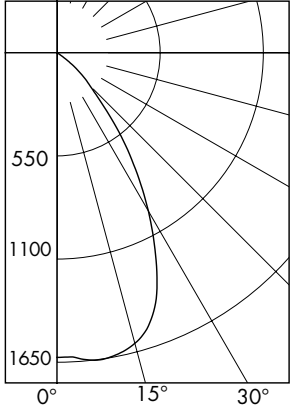
5000 Kelvin	1.09
4000 Kelvin	1.00
3500 Kelvin	1.00
3000 Kelvin	0.99
2700 Kelvin	0.96

Over-voltage, over-current, short-circuit protected

When operating in EM mode, the fixture will deliver approximately 30% of the published full lumen output.

LC4SL 4LC4SL18L35K8

LED Light Engine: 3500K, 80+ CRI
System Wattage: 22.3W
Fixture Delivered Lumens: 1865
Fixture Efficacy: 83.6
Spacing Criteria: 1.0



CANDELA DISTRIBUTION

DEG	CANDELA
0	1624
5	1641
15	1604
25	1256
35	694
45	249
55	46
65	2
75	1
85	0
90	0

ZONAL LUMEN SUMMARY

ZONE	LUMENS	%LUMINAIRE
0-60	1860	99.8
0-90	1865	100.0
90-180	0	0.0
0-180	1865	100.0

LUMINANCE DATA IN CANDELA/SQ. METER

Angle in Vertical	Average
45°	43435
55°	9892
65°	584
75°	477
85°	0

COEFFICIENTS OF UTILIZATION Zonal Cavity Method

Room Cavity Ratio	% Effective Ceiling Cavity Reflectance																
	80%		70%		50%		30%		10%								
	70	50	30	10	70	50	30	10	50	30	10	50	30	10			
1	113	110	108	105	111	108	106	104	104	102	100	100	99	97	97	96	95
2	107	102	98	94	105	100	96	93	97	94	91	94	91	89	91	89	87
3	101	94	89	85	99	93	88	84	90	86	83	88	84	82	86	83	80
4	96	88	82	77	94	86	81	77	84	80	76	82	78	75	80	77	74
5	90	81	75	71	89	80	75	70	79	74	70	77	73	69	75	72	68
6	85	76	70	65	84	75	69	65	74	68	64	72	67	64	71	67	63
7	81	71	64	60	79	70	64	60	69	63	59	68	63	59	66	62	59
8	76	66	60	56	75	66	60	56	65	59	55	64	59	55	63	58	55
9	73	62	56	52	71	62	56	52	61	55	51	60	55	51	59	54	51
10	69	59	52	48	68	58	52	48	57	52	48	56	51	48	56	51	48

LC4SL 4LC4SL18L35K8

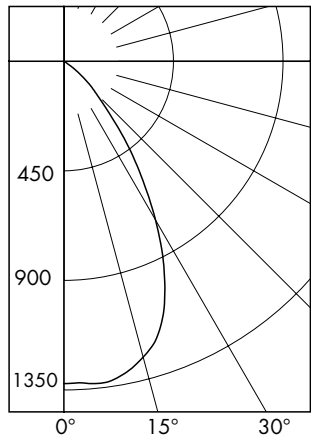
Test No. 17.01300

Test No. 17.01300

Tested at 25°C Ambient in accordance to IESNA LM-79-2008

LC4SL 4LC4SL14L35K8

LED Light Engine: 3500K, 80+ CRI
System Wattage: 17.9W
Fixture Delivered Lumens: 1443
Fixture Efficacy: 81.5
Spacing Criteria: 1.0



CANDELA DISTRIBUTION

DEG	CANDELA
0	1324
5	1329
15	1258
25	978
35	525
45	188
55	34
65	2
75	1
85	0
90	0

ZONAL LUMEN SUMMARY

ZONE	LUMENS	%LUMINAIRE
0-60	1439	99.7
0-90	1443	100.0
90-180	0	0.0
0-180	1443	100.0

LUMINANCE DATA IN CANDELA/SQ. METER

Angle in Vertical	Average
45°	32794
55°	7312
65°	584
75°	477
85°	0

COEFFICIENTS OF UTILIZATION Zonal Cavity Method

Room Cavity Ratio	% Effective Ceiling Cavity Reflectance																
	80%		70%		50%		30%		10%								
	70	50	30	10	70	50	30	10	50	30	10	50	30	10			
1	113	110	108	105	111	108	106	104	104	102	101	100	99	98	97	96	95
2	107	102	98	94	105	100	97	93	97	94	91	94	92	89	91	89	87
3	101	95	89	85	99	93	88	84	91	86	83	88	85	82	86	83	81
4	96	88	82	78	94	87	81	77	84	80	76	82	78	75	81	77	74
5	91	82	76	71	89	81	75	71	79	74	70	77	73	69	76	72	69
6	86	76	70	65	84	75	69	65	74	69	65	72	68	64	71	67	64
7	81	71	65	60	80	71	65	60	69	64	60	68	63	60	67	63	59
8	77	67	60	56	76	66	60	56	65	60	56	64	59	55	63	59	55
9	73	63	56	52	72	62	56	52	61	56	52	60	55	52	59	55	52
10	69	59	53	49	68	59	53	49	58	52	49	57	52	48	56	52	48

LC4SL 4LC4SL14L35K8

Test No. 17.01301

Test No. 17.01301

Tested at 25°C Ambient in accordance to IESNA LM-79-2008



Web: www.prescolite.com • Tech Support: (888) 777-4832
701 Millennium Boulevard • Greenville, SC 29607 U.S.A. • Phone (864) 678-1000
Copyright ©2017 Prescolite, Inc., a division of Hubbell Lighting, Inc. All Rights Reserved
Specifications subject to change without notice. • Printed in U.S.A. • IFRLED-057 • 01/11/21

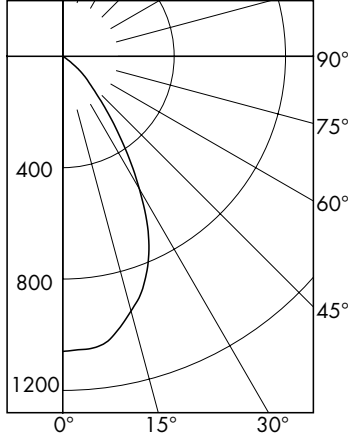


PHOTOMETRIC DATA

LiteFrame - 4" LC4SL Downlight

LC4SL 4LCSL10L35K8

LED Light Engine: 3500K, 80+ CRI
 System Wattage: 13.5W
 Fixture Delivered Lumens: 1062
 Fixture Efficacy: 79.8
 Spacing Criteria: 0.9



CANDELA DISTRIBUTION

DEG	CANDELA
0	1060
5	1055
15	947
25	731
35	367
45	133
55	24
65	1
75	0
85	0
90	0

ZONAL LUMEN SUMMARY

ZONE	LUMENS	%LUMINAIRE
0-60	1060	99.8
0-90	1062	100.0
90-180	0	0.0
0-180	1062	100.0

LUMINANCE DATA IN CANDELA/SQ. METER

Angle in Vertical	Average
45°	23200
55°	5161
65°	292
75°	0
85°	0

COEFFICIENTS OF UTILIZATION Zonal Cavity Method

Room Cavity Ratio	% Effective Ceiling Cavity Reflectance																
	80%			70%			50%			30%			10%				
	20% Effective Floor Cavity Reflectance																
	% Wall Reflectance																
	70	50	30	10	70	50	30	10	50	30	10	50	30	10			
1	113	110	108	106	111	108	106	104	104	102	101	100	99	98	97	96	95
2	107	102	98	95	105	101	97	94	97	94	91	94	92	90	92	89	88
3	102	95	90	86	100	94	89	85	91	87	84	88	85	82	86	83	81
4	96	88	82	78	94	87	82	78	85	80	77	83	79	76	81	78	75
5	91	82	76	72	89	81	76	71	79	74	71	78	73	70	76	72	69
6	86	77	70	66	85	76	70	66	74	69	65	73	68	65	72	68	64
7	82	72	66	61	80	71	65	61	70	65	61	69	64	60	67	63	60
8	77	67	61	57	76	67	61	57	66	60	56	65	60	56	64	59	56
9	73	63	57	53	72	63	57	53	62	57	53	61	56	53	60	56	52
10	70	60	54	50	69	59	53	50	58	53	49	58	53	49	57	52	49

LC4SL 4LCSL10L35K8

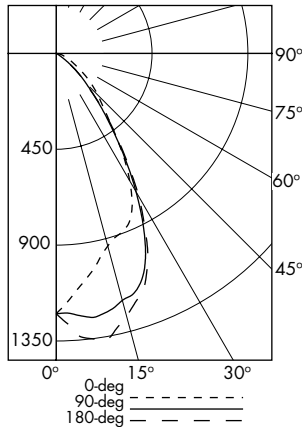
Test No. 17.01302

Test No. 17.01302

Tested at 25°C Ambient in accordance to IESNA LM-79-2008

LC4SL 4LCSL14L35K8 WW

LED Light Engine: 3500K, 80+ CRI
 System Wattage: 17.6W
 Fixture Delivered Lumens: 1477
 Fixture Efficacy: 84.0



CANDELA DISTRIBUTION

DEG	0	90	180
0	1222	1222	1222
5	1115	1235	1336
15	936	1200	1276
25	834	990	1016
35	510	509	526
45	277	198	193
55	143	43	41
65	65	7	4
75	29	4	3
85	6	0	0
90	0	0	0

LUMINANCE DATA IN CANDELA/SQ. METER

Angle in Vertical	0 DEG	90 DEG	180 DEG
45°	48301	34526	33654
55°	30740	9244	8814
65°	18964	2042	1167
75°	13916	1906	1429
85°	8488	0	0

MULTIPLE UNITS									
1'	2'	3'	4'	UNITS ON 3' CENTER		UNITS ON 4' CENTER			

2' DISTANCE FIXTURE MOUNTED OUT FROM WALLS FOOTCANDLE DISTRIBUTION ON WALL SURFACE (DIRECT ONLY)

DISTANCE FROM CEILING IN FEET	1	2	3	4	5	6	7	8	9	1	2	3	4	5	6	7	8	9	1	2	3	4	5	6	7	8	9
1	15	8	2	1	0					14	9	14						14	4	14							
2	24	17	6	1	0					27	22	27						25	11	25							
3	24	17	8	3	1					30	25	30						26	16	26							
4	18	15	9	4	2					26	26	26						21	18	21							
5	11	10	8	4	2					20	21	20						15	16	15							
6	7	7	6	4	2					16	17	16						12	13	12							
7	5	5	4	3	2					13	13	13						9	10	9							
8	3	3	3	3	2					11	10	10						8	8	8							
9	2	2	2	2	2					9	9	9						7	7	7							

LC4SL 4LCSL14L35K8WW

Test No. 17.02507

Test No. 17.02507

Tested at 25°C Ambient in accordance to IESNA LM-79-2008



Dimming Compatibility Table

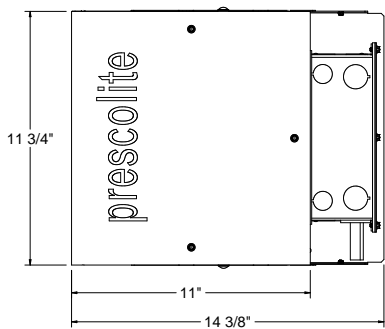
Dimming Ballast	Manufacturer	Web Link
DM/DM1	Lutron DTV	http://bit.ly/11jSvZg
DM/DM1	Leviton AWRMG-7xx, AWSMG-7xx, AWSMT-7xx	http://bit.ly/1BJn2R9

Central Inverters

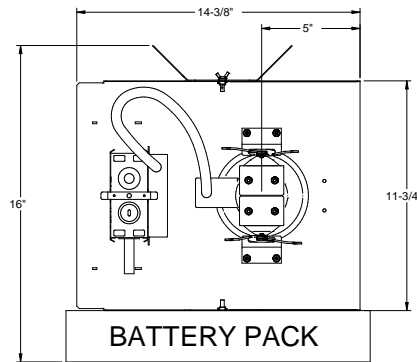
For full fixture output in back-up mode, we recommend you visit www.dual-lite.com for your Central Lighting Inverter options. Please contact your local Hubbell representative for any assistance with proper sizing and loading of your inverter selection. Central lighting inverters must be ordered separately.

LiteGear: www.dual-lite.com/products/litegear_lg_series

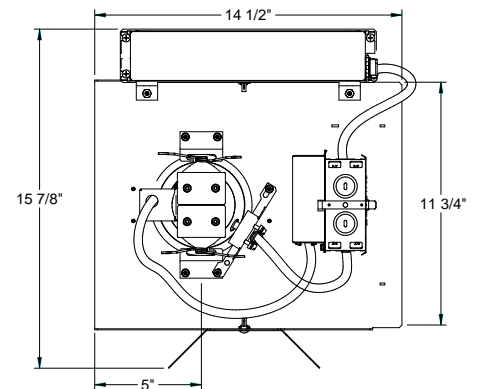
LPS Series: www.dual-lite.com/products/lps



LC4SL CP



LC4SL EMR



LC4SL EM

