



8" LED Downlight

LC8SLPH

POWERHUBB™
PoE LIGHTING & CONTROL Enabled
1000/1400/1800 Lumens

APPLICATIONS:

LiteFrame Commercial LC8SL is a 8" commercial grade LED downlight with available outputs between 1000-1800 lumens. PowerHUBB™ enables Hubbell Lighting's portfolio of commercial, industrial and architectural luminaires to further reduce energy consumption and total cost of ownership for simple to complex Power over Ethernet environments. Rated for a minimum of 50,000 hours life (70% lumen maintenance) with ambient plenum temperatures up to 35°C (10L), 28°C (14L), 25°C (18L). Free Air Flow around the fixture is required for optimal life performance. This product is not recommended for use with 3rd party "FIREHAT" or insulation barriers.

HOUSING:

One-piece 22 gauge non-corrosive steel platform. Pre-wired J-box with snap-on cover for easy access. Snap-in connection from driver compartment allows easy installation of light engine/trim assembly and can be upgraded to accommodate technology improvements. Approved for 8 (4 in/4 out) No. 12 AWG conductors rated for 90°C through wiring.

REFLECTOR:

High purity aluminum, Alzak, iridescence suppressed, semi-diffuse reflector. Self-trim standard. Painted white self-trim (WT) available as option.

LED LIGHT ENGINE:

The LC8SL uses mid power Nichia LEDs, specifically mixed to provide a minimum of 80 CRI with 3 SDCM color consistency. The use of multiple mid power LEDs allows for optimal thermal management by effectively spreading the heat over a larger area and eliminating hot spots on the LEDs. A diffuse, yet highly transmissive lens obscures the view of the LEDs and creates a smooth, even look from below. The light engine is available in multiple Kelvin temperatures and the system is designed to provide optimal life

and lumen maintenance (50,000 hours at 70% lumen maintenance). The reflector/light engine assembly is mechanically retained to the housing.

POWERHUBB™:

Hubbell Control Solutions' PowerHUBB™ is an enterprise-level Power over Ethernet (PoE) lighting and control platform that seamlessly integrates luminaires, sensors, user interfaces and software for a scalable intelligent building control solution. PowerHUBB™ PoE Lighting and Control options provide low-voltage wired connectivity for Power over Ethernet network system deployment.

DIMMING:

Dimming to 1% standard. See the PowerHUBB technical sheet for more details.

INSTALLATION:

Light commercial bar hangers included. Universal adjustable mounting brackets also accept 1/2" EMT conduit or 1/2" or 3/4" lathing channel (by others) or Prescolite 24" bar hangers (B24 or B6).

CERTIFICATIONS:

CSA certified to US and Canadian safety standards. Suitable for wet locations. This product qualifies as a "designated country construction material" per FAR 52.225-11 Buy American-Construction. Materials under Trade Agreements effective 6/10/2020. See [Buy American Solutions](#).

WARRANTY:

5 year warranty. See [www.prescolite.com](#) for details.

DATE: _____ TYPE: _____

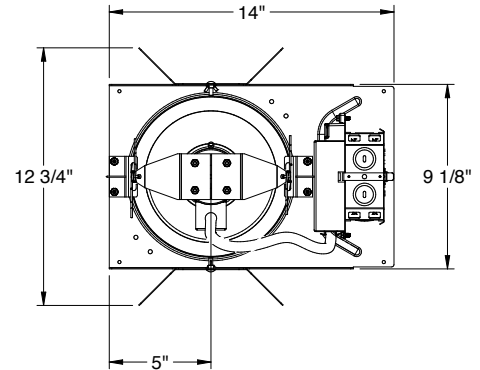
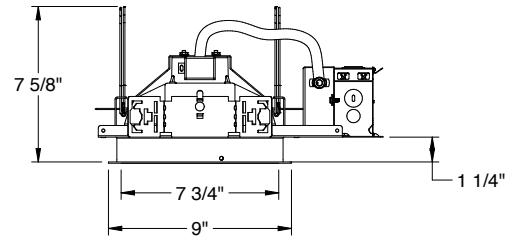
FIRM NAME: _____

PROJECT: _____

LiteFrame®



Ceiling Cutout: 8 1/4"
Maximum Ceiling Thickness 1 1/4"
For conversion to millimeters,
multiply inches by 25.4
Not to Scale



Order housing, reflector, and accessories separately

CATALOG NUMBER:

EXAMPLE: LC8SLPHPM-8LCSL14L35K9WT

HOUSING		POWERHUBB™ NODE	TRIM APERTURE	OUTPUT	KELVIN	CRI	REF. FINISH/COLOR OPTION	REFLECTOR OPTIONS	ACCESSORIES
<input type="checkbox"/>	LC8SLPH	<input type="checkbox"/>	8LCSL	<input type="checkbox"/>	<input type="checkbox"/>	<input type="checkbox"/>	<input type="checkbox"/>	<input type="checkbox"/>	<input type="checkbox"/>
	Standard Lumen PowerHUBB™ Enabled	PM PowerHUBB™, On/Off/1% Dim, Master	Standard Lumen Clear Alzak Reflector	10L 1000 Lumen 14L 1400 Lumen 18L 1800 Lumen	27K 2700 Kelvin 30K 3000 Kelvin 35K 3500 Kelvin 40K 4000 Kelvin 50K 5000 Kelvin	8 80+ CRI 9 90+ CRI	WH Painted Matte White Reflector and Flange	WT Painted White Flange only WF Wide Flange	B24 Set of two(2) 24" bar hangers for T-bar ceilings B6 Set of two (2) bar hangers for ceiling joist up to 24" centers SCA8D Sloped ceiling adapter (see note on page 4)
		PMC PowerHUBB™, On/Off/1% Dim, Control Inputs, Master							
		PS PowerHUBB™, On/Off/1% Dim, Satellite							
		PSC PowerHUBB™, On/Off/1% Dim, Control Inputs, Satellite							



In a continuing effort to offer the best product possible we reserve the right to change, without notice, specifications or materials that in our opinion will not alter the function of the product. Web: [www.prescolite.com](#) • Tech Support: (888) 777-4832

LFR-LED-060

PHOTOMETRIC DATA

LiteFrame - 8" LC8SLPH Downlight

ELECTRICAL DATA	8LCSL10Lxxx	8LCSL14Lxxx	8LCSL18Lxxx
Input Power	14W	19W	23W
Constant Current Output	700mA	700mA	700mA
EMI Filtering	FCC 47CFR Part 15, Class A	FCC 47CFR Part 15, Class A	FCC 47CFR Part 15, Class A
Operating Temperature	0°C to +35°C	0°C to +28°C	0°C to +25°C
Dimming	1%	1%	1%
Over-voltage, over-current, short-circuit protected			

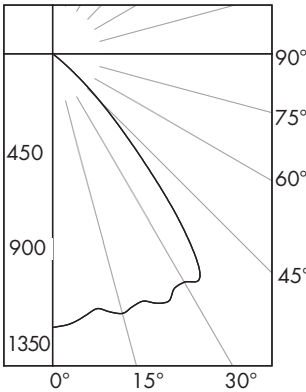
Lumen Multiplier Table

Photometrics for the LC8 are published below at a nominal 3500 Kelvin temperature. This table may be used to approximate the lumen values at different Kelvin temperatures. Power consumption would stay the same.

5000 Kelvin	1.09
4000 Kelvin	1.00
3500 Kelvin	1.00
3000 Kelvin	0.99
2700 Kelvin	0.96

LC8SLPHPM-8LCSL18L35K8

LED Light Engine: 3500K, 80+ CRI
System Wattage: 23W
Fixture Delivered Lumens: 1973
Fixture Efficacy: 85.8
Spacing Criteria: 1.2



CANDELA DISTRIBUTION

DEG	CANDELA
0	1263
5	1239
15	1241
25	1262
35	1158
45	309
55	8
65	3
75	1
85	0
90	0

ZONAL LUMEN SUMMARY

ZONE	LUMENS	%LUMINAIRE
0-30	1035	52.5
0-40	1702	86.3
0-60	1968	99.7
0-90	1973	100.0
90-180	0	0.0
0-180	1973	100.0

LUMINANCE DATA IN CANDELA/SQ. METER

Angle in Vertical	Average
45°	13470
55°	430
65°	219
75°	119
85°	0

COEFFICIENTS OF UTILIZATION Zonal Cavity Method

Room Cavity Ratio	% Effective Ceiling Cavity Reflectance																
	80%		70%		50%		30%		10%								
	70	50	30	10	70	50	30	10	50	30	10	50	30	10			
1	113	110	107	105	110	108	105	103	104	102	100	100	98	97	96	95	94
2	107	101	97	93	104	99	95	92	96	93	90	93	90	88	90	88	86
3	100	93	88	83	98	92	87	82	89	85	81	87	83	80	84	81	79
4	94	86	80	75	92	85	79	74	82	77	74	80	76	73	78	75	72
5	89	79	73	68	87	78	72	68	76	71	67	75	70	66	73	69	66
6	83	73	67	62	82	72	66	61	71	65	61	69	64	61	68	64	60
7	78	68	61	56	77	67	61	56	66	60	56	65	59	56	63	59	55
8	74	63	56	52	72	62	56	52	61	55	51	60	55	51	59	54	51
9	69	59	52	47	68	58	52	47	57	51	47	56	51	47	55	50	47
10	66	55	48	44	64	54	48	44	53	48	44	52	47	43	52	47	43

LC8SLPHPM-8LCSL18L35K8

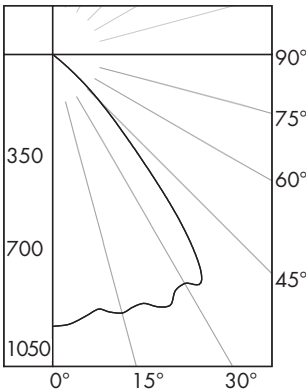
Test No. R16.03295-01

Test No. R16.03295-01

Tested at 25°C Ambient in accordance to IESNA LM-79-2008

LC8SLPHPM-8LCSL14L35K8

LED Light Engine: 3500K, 80+ CRI
System Wattage: 19W
Fixture Delivered Lumens: 1547
Fixture Efficacy: 81.4
Spacing Criteria: 1.2



CANDELA DISTRIBUTION

DEG	CANDELA
0	976
5	962
15	961
25	995
35	914
45	245
55	6
65	2
75	1
85	0
90	0

ZONAL LUMEN SUMMARY

ZONE	LUMENS	%LUMINAIRE
0-30	809	52.3
0-40	1333	86.2
0-60	1544	99.8
0-90	1547	100.0
90-180	0	0.0
0-180	1547	100.0

LUMINANCE DATA IN CANDELA/SQ. METER

Angle in Vertical	Average
45°	10680
55°	322
65°	146
75°	119
85°	0

COEFFICIENTS OF UTILIZATION Zonal Cavity Method

Room Cavity Ratio	% Effective Ceiling Cavity Reflectance																
	80%		70%		50%		30%		10%								
	70	50	30	10	70	50	30	10	50	30	10	50	30	10			
1	113	110	107	105	110	108	105	103	104	102	100	100	98	97	96	95	94
2	107	101	97	93	104	99	95	92	96	93	90	93	90	88	90	88	86
3	100	93	88	83	98	92	87	82	89	85	81	87	83	80	84	81	79
4	94	86	80	75	92	85	79	74	82	77	74	80	76	73	78	75	72
5	89	79	73	68	87	78	72	67	76	71	67	75	70	66	73	69	66
6	83	73	67	62	82	72	66	61	71	65	61	69	64	61	68	64	60
7	78	68	61	56	77	67	61	56	66	60	56	64	59	55	63	59	55
8	74	63	56	52	72	62	56	51	61	55	51	60	55	51	59	54	51
9	69	59	52	47	68	58	52	47	57	51	47	56	51	47	55	50	47
10	66	55	48	44	64	54	48	44	53	47	43	52	47	43	52	47	43

LC8SLPHPM-8LCSL14L35K8

Test No. R16.03296-01

Test No. R16.03296-01

Tested at 25°C Ambient in accordance to IESNA LM-79-2008



Web: www.prescolite.com • Tech Support: (888) 777-4832
701 Millennium Boulevard • Greenville, SC 29607 U.S.A. • Phone (864) 678-1000
Copyright ©2018 Prescolite, Inc., a division of Hubbell Lighting, Inc. All Rights Reserved
Specifications subject to change without notice. • Printed in U.S.A. • LFR-LED060 • 1/31/18

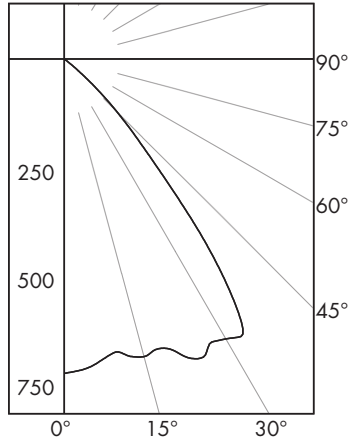


PHOTOMETRIC DATA

LiteFrame - 8" LC8SLPH Downlight

LC8SLPHPM-8LC5L10L35K8

LED Light Engine: 3500K, 80+ CRI
 System Wattage: 14W
 Fixture Delivered Lumens: 1126
 Fixture Efficacy: 80.4
 Spacing Criteria: 1.2



CANDELA DISTRIBUTION

DEG	CANDELA
0	709
5	696
15	695
25	742
35	669
45	166
55	4
65	2
75	1
85	0
90	0

ZONAL LUMEN SUMMARY

ZONE	LUMENS	%LUMINAIRE
0-30	597	53.0
0-40	982	87.2
0-60	1124	99.8
0-90	1126	100.0
90-180	0	0.0
0-180	1126	100.0

LUMINANCE DATA IN CANDELA/ SQ. METER

Angle in Vertical	Average
45°	7236
55°	215
65°	146
75°	119
85°	0

COEFFICIENTS OF UTILIZATION Zonal Cavity Method

Room Cavity Ratio	% Effective Ceiling Cavity Reflectance																
	80%			70%			50%			30%			10%				
	20% Effective Floor Cavity Reflectance																
	% Wall Reflectance																
	70	50	30	10	70	50	30	10	50	30	10	50	30	10			
1	113	110	107	105	110	108	105	103	104	102	100	100	98	97	96	95	94
2	107	101	97	93	104	99	95	92	96	93	90	93	90	88	90	88	86
3	100	93	88	83	98	92	87	83	89	85	81	87	83	80	84	81	79
4	94	86	80	75	92	85	79	75	83	78	74	80	76	73	79	75	72
5	89	79	73	68	87	78	72	68	77	71	67	75	70	66	73	69	66
6	83	73	67	62	82	73	66	62	71	65	61	70	65	61	68	64	60
7	78	68	61	57	77	67	61	56	66	60	56	65	60	56	63	59	55
8	74	63	56	52	72	63	56	51	61	56	51	60	55	51	59	54	51
9	70	59	52	48	68	58	52	48	57	51	47	56	51	47	55	51	47
10	66	55	48	44	65	54	48	44	53	48	44	53	47	44	52	47	43

LC8SLPHPM-8LC5L10L35K8

Test No. R16.03297-01

Test No. R16.03297-01

Tested at 25°C Ambient in accordance to IESNA LM-79-2008

PowerHUBB™: POWERHUBB™ PoE LIGHTING & CONTROL

Hubbell Control Solutions' PowerHUBB™ is an enterprise-level Power over Ethernet (PoE) lighting and control platform that seamlessly integrates luminaires, sensors, user interfaces and software for a scalable intelligent building control solution.

See separate [PowerHUBB™ In-Fixture Solutions Guide](#) and [Hubbell Control Solutions PowerHUBB Brochure](#) for more details.

SCA8D

When ordering a sloped ceiling adapter, specify the degree of slope in 1° increments, maximum of 35°. For a more precise degree or wet ceiling applications, please contact factory. Sloped ceiling adapter and housing must be installed at the same time.

