



**FEATURES**

createchange

- Optical design provides one-for-one replacement of metal halide and fluorescent high bays with substantial energy savings
- Three LED color choices and 84 CRI
- High efficacy LEDs provide up to 158 Lumens Per Watt
- Available in narrow or wide distribution
- Long-Life LEDs 60,000 hours at L80 for reduced life cycle maintenance costs
- Easy center driver cover allows tool-less access to electrical components for modular replaceability
- Drivers include 6kV surge protection
- Extremely low profile—only 2" overall height
- Quick and simple hanging systems include chain, tong or aircraft cable mounting
- Access cover in channel for easy wiring access
- "Plug and play" occupancy sensor, daylight sensor, cord and plug
- Wire guard and/or lens option
- ControlScope® compatible
- CSA listed and suitable for damp locations
- -20°C up to +65°C ambient operation; see table provided for details
- DLC® (DesignLights Consortium) Qualified - see [www.designlights.org](http://www.designlights.org)
- 5 Year Warranty

**PROJECT INFORMATION**

Project Name \_\_\_\_\_

Type \_\_\_\_\_

Catalog No. \_\_\_\_\_

Date \_\_\_\_\_

**CONSTRUCTION**

Code gauge steel construction for durability to withstand shipping and job site handling. End caps include hemmed edges for ease of handling. Fixture provides easy access to electrical components via removal of channel cover. Tool-less access with one quarter-turn fastener. Oversized access plate conveniently mounted on back of channel for easy access to wiring compartment.

**REFLECTOR**

Narrow version features multi-faceted specular aluminum reflector for aisle lighting and areas where tighter lighting beam spread is desired. Wide distribution model provides maximum light distribution for open areas. Reflector removal is not required to gain access to electrical components.

**PERFORMANCE**

VersaBay® LED provides high efficacy, reduced input wattage compared to HID or fluorescent, and the excellent lighting quality needed for task visibility, material characteristic and color differentiation.

**FINISH**

All metal parts processed with a phosphate bonding treatment. Pre-painted with high gloss baked white enamel, 86% reflective. Polyester powder coat paint after fabrication (PAF) option available for product housing and ends, reflectance 90%.

**SHIELDING**

Optional lens shielding is virgin acrylic or polycarbonate.

**MOUNTING**

Fixture to be suspended a minimum of 28" from solid surface. Mounting options include aircraft cable, tong hanger, pipe hanger, or chain.

**CERTIFICATION**

All luminaires are built to UL1598 and 2108 standard, and bear appropriate CSA labels. Damp location labeling is standard. Emergency equipped fixtures built to UL942. Adheres to LM79, LM80 and TM21 industry standards. DLC® (DesignLights Consortium) Qualified. Please refer to the DLC website for specific product qualifications at [www.designlights.org](http://www.designlights.org).

**WARRANTY**

5 Year Warranty (Terms and Conditions apply).

**ORDERING INFORMATION**

**EXAMPLE LLHV4-50H-WST-EU**

| MODEL                       | COLOR TEMP   | REFLECTOR                                    | DRIVER  | OPTIONS  |
|-----------------------------|--|--|---|--|
| LLHV VersaBay® LED High Bay | 35 3500<br>40 4000<br>50 5000  | N Narrow Distribution<br>W Wide Distribution | E Fixed Output<br>ED 0-10V Dimming                            | C6TL15_ 6' Cord and Twist-Lock™ Plug 15A (Add Voltage: 1=120, 2=277)<br>C6TL20_ 6' Cord and Twist-Lock™ Plug 20A (Add Voltage 1=120, 2=277)<br>C6P151 6' Cord and Straight Blade Plug 15A, 120V<br>CA Clear Acrylic Lens <sup>1,2</sup><br>CP Clear Polycarbonate Lens <sup>1,2</sup><br>SFA Smooth Frosted Acrylic Lens <sup>1,2</sup><br>CAWG Clear Acrylic Lens and Flat Wire Guard <sup>1,2,3</sup><br>CPWG Clear Polycarbonate Lens and Flat Wire Guard <sup>1,2,3</sup><br>SFAWG Smooth Frosted Acrylic Lens with Flat Wire Guard <sup>1,2,3</sup><br>WG Flat Wire Guard <sup>1,3</sup><br>SP Side Panels Installed <sup>1,4</sup><br>ELL14 Emergency Battery Pack, 1400 Lumens <sup>5,6</sup><br>F4C5 4-Conductor Cord<br>GLR Fast Blow Fuse <sup>6</sup><br>OS1360 Factory Installed Occupancy/Daylight, Sensor, 1-relay, 360° lens 120/277<br>OS2360 Factory Installed Occupancy/Daylight, Sensor, 2-relay, 360° lens 120/277 <sup>11</sup><br>OS1A Factory Installed Occupancy/Daylight Sensor, 1-relay, Aisle lens, 120/277<br>OS2A Factory Installed Occupancy/Daylight Sensor, 2-relay, Aisle lens, 120/277 <sup>11</sup><br>ODS1360 Factory Installed Dimming Occupancy/Daylight Sensor, 1-relay, 360° lens 120/277<br>ODS1A Factory Installed Dimming Occupancy/Daylight Sensor, 1-relay, Aisle lens 120/277<br>ZRE ControlScope® compatible <sup>8</sup> |
| SIZE                        | LUMEN OUTPUT   | UPLIGHT                                      | VOLTAGE   |  |
| 4 4'                        | L Low Watt<br>M Medium Lumen<br>H High Lumen<br>V Very High Lumen<br>X Extra High Lumen<br>U Ultra High Lumen<br>Lumen output varies fixture width, see cross section drawings | ST Solid Top (no uplight)                    | U 120V-277V<br>347 347V <sup>9</sup><br>480 480V <sup>9</sup> |  |

**ACCESSORIES (ORDER SEPARATELY)**

|           |   |
|-----------|---|
| LHVTH     | Tong Hanger (Pair) for L, M, and H lumen outputs <sup>10</sup>          |
| LHVWTH    | Wide Tong Hanger (pair) for V, X, and U lumen outputs <sup>10</sup>     |
| LHVWG4-4  | Wireguard, White for L, M, and H lumen outputs <sup>3</sup>             |
| LHVWG4-6  | Wireguard, White for V, X, and U lumen outputs <sup>3</sup>             |
| LHVQMS    | Aircraft Cable, 5' (Pair)   |
| LHVQM10   | Aircraft Cable, 10' (Pair)  |
| LHVSPMS   | Single Point Mounting, Includes Pair of 5' Aircraft Cables <sup>7</sup> |
| LHVSP     | Side Panels (Pair)  |
| LHVOS1360 | Occupancy/Daylight Sensor, with a 360° lens, 120/277/347V               |
| LHVOS2360 | Occupancy/Daylight Sensor, with a 360° lens, 120/277/347V               |

<sup>1</sup> Side panels increase height to 27 1/8".  
<sup>2</sup> Lens reduces max ambient operating temperature (see table).  
<sup>3</sup> Using a Wire Guard may cause shadowing.  
<sup>4</sup> Side panels only; does not include lens or wire guard options.  
<sup>5</sup> ELL14 reduces max ambient temperature (see table).  
<sup>6</sup> Not available with 347V or 480V.  
<sup>7</sup> For use only with L, M, H Lumen packages.  
<sup>8</sup> Registered trademark of Daintree Networks, used by permission.  
<sup>9</sup> Consult factory for V, X, U Lumen packages.  
<sup>10</sup> Not available with ELL14.  
<sup>11</sup> Consult manufacturer for compatibility.

**PHOTOMETRIC DATA**

**LUMINAIRE DATA**

|                             |   |
|-----------------------------|---|
| Luminaire                   | LLHV4-50M-WST-EU<br>LLHV VersaBay LED High Bay,<br>Industrial 16" x 48" LED with white<br>reflector |
| Ballast Driver              | XI190C275V054BSG1   |
| Ballast Factor              | 1.00  |
| Lamp                        | LED   |
| Fixture Lumens              | 20341   |
| Watts                       | 138.40  |
| Mounting                    | Pendant   |
| Shielding Angle             | 0° = 90 90° = 90  |
| Spacing Criterion           | 0° = 1.29 90° = 1.30  |
| Luminous Opening<br>in Feet | Length: 3.92<br>Width: 1.25<br>Height: 0.00   |

**ENERGY DATA**

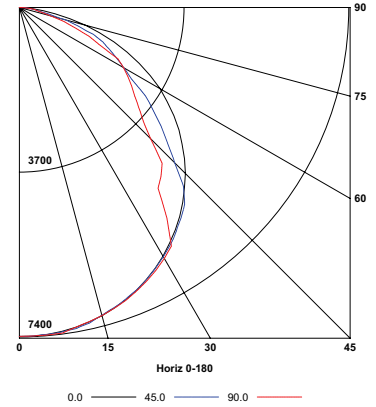
|  |  |
|--|--|
| Total Luminaire Efficiency                                 | 100.0%   |
| Total Lumens per Watt                                      | 147  |
| ANSI/IESNA RP-1-2004<br>Compliance                         | Noncompliant                                       |
| Comparative Yearly Lighting<br>Energy Cost per 1000 Lumens | \$1.63 based on<br>3000 hrs. and<br>\$0.08 per KWH |

**ZONAL LUMEN SUMMARY**

| Zone  | Lumens | % Lamp | % Fixt. |
|-------|--------|--------|---------|
| 0-30  | 5845   | 28.7   | 28.7    |
| 0-40  | 9617   | 47.3   | 47.3    |
| 0-60  | 16570  | 81.5   | 81.5    |
| 0-90  | 20341  | 100.0  | 100.0   |
| 0-180 | 20341  | 100.0  | 100.0   |

Test #16765 Test Date 8/5/2016

**INDOOR CANDELA PLOT**



**LUMINAIRE DATA**

|                             |  |
|-----------------------------|--|
| Luminaire                   | LLHV4-50H-NST-EU<br>LLHV VersaBay LED High Bay,<br>Industrial 16" x 48" LED with<br>specular reflector |
| Ballast Driver              | XI095C275V054DNF1  |
| Ballast Factor              | 1.00   |
| Lamp                        | LED  |
| Fixture Lumens              | 25952  |
| Watts                       | 194.50   |
| Mounting                    | Pendant  |
| Shielding Angle             | 0° = 90 90° = 90   |
| Spacing Criterion           | 0° = 1.30 90° = 1.20   |
| Luminous Opening<br>in Feet | Length: 3.92<br>Width: 1.25<br>Height: 0.00  |

**ENERGY DATA**

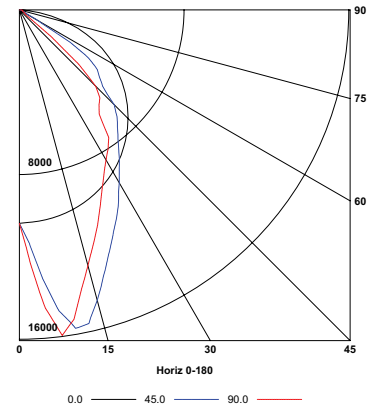
|  |  |
|--|--|
| Total Luminaire Efficiency                                 | 100.0%   |
| Total Lumens per Watt                                      | 133  |
| ANSI/IESNA RP-1-2004<br>Compliance                         | Noncompliant                                       |
| Comparative Yearly Lighting<br>Energy Cost per 1000 Lumens | \$1.79 based on<br>3000 hrs. and<br>\$0.08 per KWH |

**ZONAL LUMEN SUMMARY**

| Zone  | Lumens | % Lamp | % Fixt. |
|-------|--------|--------|---------|
| 0-30  | 10178  | 39.2   | 39.2    |
| 0-40  | 15640  | 60.3   | 60.3    |
| 0-60  | 23677  | 91.2   | 91.2    |
| 0-90  | 25952  | 100.0  | 100.0   |
| 0-180 | 25952  | 100.0  | 100.0   |

Test #16767 Test Date 8/15/2016

**INDOOR CANDELA PLOT**



**LUMINAIRE DATA**

|                             |  |
|-----------------------------|--|
| Luminaire                   | LLHV4-50H-WST-EDU<br>LLHV VersaBay LED High Bay,<br>Industrial 16" x 48" LED with white<br>reflector |
| Ballast Driver              | XI095C275V054DNF1  |
| Ballast Factor              | 1.00   |
| Lamp                        | LED  |
| Fixture Lumens              | 26838  |
| Watts                       | 194.80   |
| Mounting                    | Pendant  |
| Shielding Angle             | 0° = 90 90° = 90   |
| Spacing Criterion           | 0° = 1.29 90° = 1.30   |
| Luminous Opening<br>in Feet | Length: 3.92<br>Width: 1.25<br>Height: 0.00  |

**ENERGY DATA**

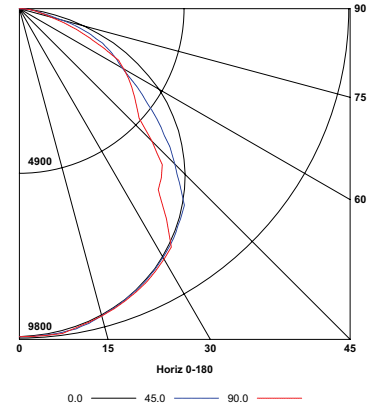
|  |  |
|--|--|
| Total Luminaire Efficiency                                 | 100.0%   |
| Total Lumens per Watt                                      | 138  |
| ANSI/IESNA RP-1-2004<br>Compliance                         | Noncompliant                                       |
| Comparative Yearly Lighting<br>Energy Cost per 1000 Lumens | \$1.74 based on<br>3000 hrs. and<br>\$0.08 per KWH |

**ZONAL LUMEN SUMMARY**

| Zone  | Lumens | % Lamp | % Fixt. |
|-------|--------|--------|---------|
| 0-30  | 7721   | 28.8   | 28.8    |
| 0-40  | 12705  | 47.3   | 47.3    |
| 0-60  | 21865  | 81.5   | 81.5    |
| 0-90  | 26838  | 100.0  | 100.0   |
| 0-180 | 26838  | 100.0  | 100.0   |

Test #16769 Test Date 8/5/2016

**INDOOR CANDELA PLOT**



## PHOTOMETRIC DATA

### LUMINAIRE DATA

|                             |   |
|-----------------------------|---|
| Luminaire                   | LLHV4-50V-WST-EU<br>LLHV VersaBay LED High Bay,<br>Industrial 16" x 48" LED with white<br>reflector |
| Ballast Driver              | XI190C275V054BSG1   |
| Ballast Factor              | 1.00  |
| Lamp                        | LED   |
| Fixture Lumens              | 34964   |
| Watts                       | 244.50  |
| Mounting                    | Pendant   |
| Shielding Angle             | 0° = 90 90° = 90  |
| Spacing Criterion           | 0° = 1.29 90° = 1.29  |
| Luminous Opening<br>in Feet | Length: 3.92<br>Width: 1.25<br>Height: 0.00   |

### ENERGY DATA

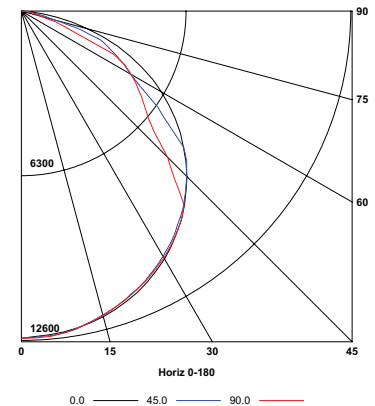
|  |  |
|--|--|
| Total Luminaire Efficiency                                 | 100.0%   |
| Total Lumens per Watt                                      | 143  |
| ANSI/IESNA RP-1-2004<br>Compliance                         | Noncompliant                                       |
| Comparative Yearly Lighting<br>Energy Cost per 1000 Lumens | \$1.68 based on<br>3000 hrs. and<br>\$0.08 per KWH |

### ZONAL LUMEN SUMMARY

| Zone  | Lumens | % Lamp | % Fixt. |
|-------|--------|--------|---------|
| 0-30  | 9846   | 28.2   | 28.2    |
| 0-40  | 16304  | 46.6   | 46.6    |
| 0-60  | 28646  | 81.9   | 81.9    |
| 0-90  | 34964  | 100.0  | 100.0   |
| 0-180 | 34964  | 100.0  | 100.0   |

Test #16773 Test Date 8/12/2016

### INDOOR CANDELA PLOT



### LUMINAIRE DATA

|                             |   |
|-----------------------------|---|
| Luminaire                   | LLHV4-50U-WST-EU<br>LLHV VersaBay LED High Bay,<br>Industrial 16" x 48" LED with white<br>reflector |
| Ballast Driver              | XI190C275V054BSG1   |
| Ballast Factor              | 1.00  |
| Lamp                        | LED   |
| Fixture Lumens              | 52435   |
| Watts                       | 368.20  |
| Mounting                    | Pendant   |
| Shielding Angle             | 0° = 90 90° = 90  |
| Spacing Criterion           | 0° = 1.29 90° = 1.29  |
| Luminous Opening<br>in Feet | Length: 3.92<br>Width: 1.25<br>Height: 0.00   |

### ENERGY DATA

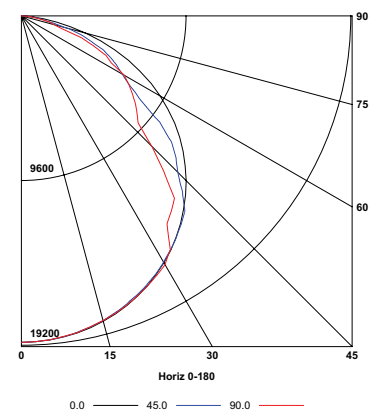
|  |  |
|--|--|
| Total Luminaire Efficiency                                 | 100.0%   |
| Total Lumens per Watt                                      | 142  |
| ANSI/IESNA RP-1-2004<br>Compliance                         | Noncompliant                                       |
| Comparative Yearly Lighting<br>Energy Cost per 1000 Lumens | \$1.69 based on<br>3000 hrs. and<br>\$0.08 per KWH |

### ZONAL LUMEN SUMMARY

| Zone  | Lumens | % Lamp | % Fixt. |
|-------|--------|--------|---------|
| 0-30  | 14998  | 28.6   | 28.6    |
| 0-40  | 24736  | 47.2   | 47.2    |
| 0-60  | 42692  | 81.4   | 81.4    |
| 0-90  | 52435  | 100.0  | 100.0   |
| 0-180 | 52435  | 100.0  | 100.0   |

Test #17156 Test Date 8/9/2016

### INDOOR CANDELA PLOT



| DRIVER GENERATION COMPARISON |                     |                    |
|------------------------------|---------------------|--------------------|
| OUTPUT                       | PREVIOUS DRIVER QTY | CURRENT DRIVER QTY |
| L                            | 2                   | 1                  |
| M                            | 2                   | 1                  |
| H                            | 3                   | 2                  |
| V                            | 2                   | 2                  |
| X                            | 3                   | 2                  |
| U                            | 3                   | 2                  |

| MAX. AMBIENT OPERATING TEMP. |          |       |          |       |
|------------------------------|----------|-------|----------|-------|
| LUMEN PACKAGE                | NO LENS  |       | LENS     |       |
|                              | No ELL14 | ELL14 | No ELL14 | ELL14 |
| L                            | 65       | 45    | 60       | 45    |
| M                            | 55       | 45    | 50       | 45    |
| H                            | 55       | 45    | 50       | 45    |
| V                            | 55       | 45    | 50       | 45    |
| X                            | 55       | 45    | 50       | 45    |
| U                            | 55       | 45    | 50       | 45    |

ELL14: Factory installed emergency battery pack, 1400 lumens

| MAX. AMBIENT OPERATING TEMP. (347V/480V) |          |       |          |       |
|--|----------|-------|----------|-------|
| LUMEN PACKAGE                            | NO LENS  |       | LENS     |       |
|  | No ELL14 | ELL14 | No ELL14 | ELL14 |
| L  | 55       | NA    | 40       | NA    |
| M  | 45       | NA    | 35       | NA    |
| H  | 45       | NA    | 35       | NA    |
| V  | C.F.*    | NA    | C.F.*    | NA    |
| X  | C.F.*    | NA    | C.F.*    | NA    |
| U  | C.F.*    | NA    | C.F.*    | NA    |

ELL14: Factory installed emergency battery pack, 1400 lumens  
\*Consult Factory

| Lumen Package          | Output                 | Color      | Distribution           | Lens                   | Wire Guard | Lumens              | Watts                  | LPW                 | Typically Replaces                    |            |                        |            |        |      |       |
|------------------------|------------------------|------------|------------------------|------------------------|------------|---------------------|------------------------|---------------------|---------------------------------------|------------|------------------------|------------|--------|------|-------|
| LLHV4-35L-NST-EU-CAWG  | Low                    | 35K        | Narrow                 | Clear Acrylic          | Wire Guard | 10,898              | 88.6                   | 123.0               | 150W - 250W Metal Halide, 2T5 HO, 4T8 |            |                        |            |        |      |       |
| LLHV4-35L-NST-EU-CA    |                        |            |                        | Clear Acrylic          |            | 11,433              | 88.6                   | 129.0               |                                       |            |                        |            |        |      |       |
| LLHV4-35L-NST-EU-CPWG  |                        |            |                        | Clear Polycarbonate    | Wire Guard | 10,570              | 88.7                   | 119.2               |                                       |            |                        |            |        |      |       |
| LLHV4-35L-NST-EU-CP    |                        |            |                        | Clear Polycarbonate    |            | 11,089              | 88.7                   | 125.0               |                                       |            |                        |            |        |      |       |
| LLHV4-35L-NST-EU-SFAWG |                        |            |                        | Smooth Frosted Acrylic | Wire Guard | 10,494              | 88.8                   | 118.2               |                                       |            |                        |            |        |      |       |
| LLHV4-35L-NST-EU-SFA   |                        |            |                        | Smooth Frosted Acrylic |            | 11,009              | 88.8                   | 124.0               |                                       |            |                        |            |        |      |       |
| LLHV4-35L-NST-EU-WG    |                        |            |                        |                        | Wire Guard | 11,172              | 89.2                   | 125.2               |                                       |            |                        |            |        |      |       |
| LLHV4-35L-NST-EU       |                        |            |                        |                        |            | 11,837              | 89                     | 133.0               |                                       |            |                        |            |        |      |       |
| LLHV4-35L-WST-EU-CAWG  |                        |            |                        | Wide                   | Wide       | Clear Acrylic       | Wire Guard             | 11325               |                                       | 88.6       | 127.8                  |            |        |      |       |
| LLHV4-35L-WST-EU-CA    |                        |            |                        |                        |            | Clear Acrylic       |                        | 11891               |                                       | 88.6       | 134.2                  |            |        |      |       |
| LLHV4-35L-WST-EU-CPWG  |                        |            |                        |                        |            | Clear Polycarbonate | Wire Guard             | 10983               |                                       | 88.7       | 123.8                  |            |        |      |       |
| LLHV4-35L-WST-EU-CP    |                        |            |                        |                        |            | Clear Polycarbonate |                        | 11532               |                                       | 88.7       | 130.0                  |            |        |      |       |
| LLHV4-35L-WST-EU-SFAWG |                        |            | Smooth Frosted Acrylic |                        |            | Wire Guard          | 10904                  | 88.8                |                                       | 122.8      |                        |            |        |      |       |
| LLHV4-35L-WST-EU-SFA   |                        |            | Smooth Frosted Acrylic |                        |            |                     | 11449                  | 88.8                |                                       | 128.9      |                        |            |        |      |       |
| LLHV4-35L-WST-EU-WG    |                        |            |                        |                        |            | Wire Guard          | 11638                  | 89.2                |                                       | 130.5      |                        |            |        |      |       |
| LLHV4-35L-WST-EU       |                        |            |                        |                        |            |                     | 12257                  | 89.2                |                                       | 137.4      |                        |            |        |      |       |
| LLHV4-40L-NST-EU-CAWG  |                        |            | Low                    |                        |            | 40K                 | Narrow                 | Clear Acrylic       |                                       | Wire Guard | 11,063                 | 88.6       | 124.9  |      |       |
| LLHV4-40L-NST-EU-CA    |                        |            |                        |                        |            |                     |                        | Clear Acrylic       |                                       |            | 11,616                 | 88.6       | 131.1  |      |       |
| LLHV4-40L-NST-EU-CPWG  |                        |            |                        |                        |            |                     |                        | Clear Polycarbonate |                                       | Wire Guard | 10,730                 | 88.7       | 121.0  |      |       |
| LLHV4-40L-NST-EU-CP    |                        |            |                        |                        |            |                     |                        | Clear Polycarbonate |                                       |            | 12,264                 | 88.7       | 138.3  |      |       |
| LLHV4-40L-NST-EU-SFAWG |                        |            |                        | Smooth Frosted Acrylic | Wire Guard |                     |                        | 10,653              |                                       | 88.8       | 120.0                  |            |        |      |       |
| LLHV4-40L-NST-EU-SFA   |                        |            |                        | Smooth Frosted Acrylic |            |                     |                        | 11,185              |                                       | 88.8       | 126.0                  |            |        |      |       |
| LLHV4-40L-NST-EU-WG    |                        |            |                        |                        | Wire Guard |                     |                        | 11,351              |                                       | 89.2       | 127.3                  |            |        |      |       |
| LLHV4-40L-NST-EU       |                        |            |                        |                        |            |                     |                        | 12,026              |                                       | 89         | 135.1                  |            |        |      |       |
| LLHV4-40L-WST-EU-CAWG  |                        |            |                        | Wide                   | Wide       |                     |                        | Clear Acrylic       |                                       | Wire Guard | 11,506                 | 88.6       | 129.9  |      |       |
| LLHV4-40L-WST-EU-CA    |                        |            |                        |                        |            |                     |                        | Clear Acrylic       |                                       |            | 12,082                 | 88.6       | 136.4  |      |       |
| LLHV4-40L-WST-EU-CPWG  |                        |            |                        |                        |            |                     |                        | Clear Polycarbonate |                                       | Wire Guard | 11,159                 | 88.7       | 125.8  |      |       |
| LLHV4-40L-WST-EU-CP    |                        |            |                        |                        |            |                     |                        | Clear Polycarbonate |                                       |            | 11,717                 | 88.7       | 132.1  |      |       |
| LLHV4-40L-WST-EU-SFAWG |                        |            |                        |                        |            |                     | Smooth Frosted Acrylic | Wire Guard          |                                       | 11,079     | 88.8                   | 124.8      |        |      |       |
| LLHV4-40L-WST-EU-SFA   |                        |            |                        |                        |            |                     | Smooth Frosted Acrylic |                     |                                       | 11,632     | 88.8                   | 131.0      |        |      |       |
| LLHV4-40L-WST-EU-WG    |                        |            |                        |                        |            |                     |                        | Wire Guard          |                                       | 11,824     | 89.2                   | 132.6      |        |      |       |
| LLHV4-40L-WST-EU       |                        |            |                        |                        |            |                     |                        |                     |                                       | 12,453     | 89.2                   | 139.6      |        |      |       |
| LLHV4-50L-NST-EU-CAWG  |                        |            |                        |                        |            |                     | Low                    | 50K                 |                                       | Narrow     | Clear Acrylic          | Wire Guard | 12,043 | 88.6 | 135.9 |
| LLHV4-50L-NST-EU-CA    |                        |            |                        |                        |            |                     |                        |                     |                                       |            | Clear Acrylic          |            | 12,645 | 88.6 | 142.7 |
| LLHV4-50L-NST-EU-CPWG  |                        |            |                        |                        |            |                     |                        |                     |                                       |            | Clear Polycarbonate    | Wire Guard | 11,680 | 88.7 | 131.7 |
| LLHV4-50L-NST-EU-SFAWG |                        |            |                        |                        |            |                     |                        |                     |                                       |            | Smooth Frosted Acrylic | Wire Guard | 11,596 | 88.8 | 130.6 |
| LLHV4-50L-NST-EU-SFA   | Smooth Frosted Acrylic |            |                        | 12,176                 | 88.8       |                     |                        |                     | 137.1                                 |            |                        |            |        |      |       |
| LLHV4-50L-NST-EU-WG    |                        | Wire Guard |                        | 12,357                 | 89.2       |                     |                        |                     | 138.5                                 |            |                        |            |        |      |       |
| LLHV4-50L-NST-EU       |                        |            |                        | 13,091                 | 89         |                     |                        |                     | 147.1                                 |            |                        |            |        |      |       |
| LLHV4-50L-WST-EU-CAWG  | Wide                   | Wide       |                        | Clear Acrylic          | Wire Guard |                     |                        |                     | 12,525                                |            | 88.6                   | 141.4      |        |      |       |
| LLHV4-50L-WST-EU-CA    |                        |            |                        | Clear Acrylic          |            |                     |                        |                     | 13,152                                |            | 88.6                   | 148.4      |        |      |       |
| LLHV4-50L-WST-EU-CPWG  |                        |            |                        | Clear Polycarbonate    | Wire Guard |                     |                        |                     | 12,148                                |            | 88.7                   | 137.0      |        |      |       |
| LLHV4-50L-WST-EU-CP    |                        |            |                        | Clear Polycarbonate    |            |                     |                        |                     | 12,755                                |            | 88.7                   | 143.8      |        |      |       |
| LLHV4-50L-WST-EU-SFAWG |                        |            |                        | Smooth Frosted Acrylic | Wire Guard |                     |                        |                     | 12,060                                |            | 88.8                   | 135.8      |        |      |       |
| LLHV4-50L-WST-EU-SFA   |                        |            |                        | Smooth Frosted Acrylic |            |                     |                        |                     | 12,663                                | 88.8       | 142.6                  |            |        |      |       |
| LLHV4-50L-WST-EU-WG    |                        |            |                        |                        | Wire Guard |                     |                        |                     | 12,871                                | 89.2       | 144.3                  |            |        |      |       |
| LLHV4-50L-WST-EU       |                        |            |                        |                        |            |                     |                        |                     | 13,557                                | 89.2       | 152.0                  |            |        |      |       |

| Lumen Package          | Output                 | Color                  | Distribution           | Lens                   | Wire Guard    | Lumens     | Watts  | LPW   | Typically Replaces                   |       |
|------------------------|------------------------|------------------------|------------------------|------------------------|---------------|------------|--------|-------|--------------------------------------|-------|
| LLHV4-35M-NST-EU-CAWG  | Medium                 | 35K                    | Narrow                 | Clear Acrylic          | Wire Guard    | 15,254     | 138.4  | 110.2 | 250W - 400W Metal Halide, 4T5HO, 6T8 |       |
| LLHV4-35M-NST-EU-CA    |                        |                        |                        | Clear Acrylic          |               | 16,057     | 138.4  | 116.0 |                                      |       |
| LLHV4-35M-NST-EU-CPWG  |                        |                        |                        | Clear Polycarbonate    | Wire Guard    | 14,583     | 138.4  | 105.4 |                                      |       |
| LLHV4-35M-NST-EU-CP    |                        |                        |                        | Clear Polycarbonate    |               | 15,351     | 138.4  | 110.9 |                                      |       |
| LLHV4-35M-NST-EU-SFAWG |                        |                        |                        | Smooth Frosted Acrylic | Wire Guard    | 14,416     | 138.4  | 104.2 |                                      |       |
| LLHV4-35M-NST-EU-SFA   |                        |                        |                        | Smooth Frosted Acrylic |               | 15,175     | 138.4  | 109.6 |                                      |       |
| LLHV4-35M-NST-EU-WG    |                        |                        |                        |                        | Wire Guard    | 16,763     | 138.4  | 121.1 |                                      |       |
| LLHV4-35M-NST-EU       |                        |                        |                        |                        |               | 17,769     | 138.4  | 128.4 |                                      |       |
| LLHV4-35M-WST-EU-CAWG  |                        |                        |                        | Clear Acrylic          | Wire Guard    | 15,890     | 138.4  | 114.8 |                                      |       |
| LLHV4-35M-WST-EU-CA    |                        |                        | Clear Acrylic          |                        | 16,726        | 138.4      | 120.9  |       |                                      |       |
| LLHV4-35M-WST-EU-CPWG  |                        |                        | Clear Polycarbonate    | Wire Guard             | 15,191        | 138.4      | 109.8  |       |                                      |       |
| LLHV4-35M-WST-EU-CP    |                        |                        | Clear Polycarbonate    |                        | 15,991        | 138.4      | 115.5  |       |                                      |       |
| LLHV4-35M-WST-EU-SFAWG |                        |                        | Smooth Frosted Acrylic | Wire Guard             | 15,017        | 138.4      | 108.5  |       |                                      |       |
| LLHV4-35M-WST-EU-SFA   |                        |                        | Smooth Frosted Acrylic |                        | 15,807        | 138.4      | 114.2  |       |                                      |       |
| LLHV4-35M-WST-EU-WG    |                        |                        |                        | Wire Guard             | 17,461        | 138.4      | 126.2  |       |                                      |       |
| LLHV4-35M-WST-EU       |                        |                        |                        |                        | 18,391        | 138.4      | 132.9  |       |                                      |       |
| LLHV4-40M-NST-EU-CAWG  |                        |                        | 40K                    | Narrow                 | Clear Acrylic | Wire Guard | 15,498 | 138.4 |                                      | 112.0 |
| LLHV4-40M-NST-EU-CA    |                        |                        |                        |                        | Clear Acrylic |            | 16,314 | 138.4 |                                      | 117.9 |
| LLHV4-40M-NST-EU-CPWG  |                        | Clear Polycarbonate    |                        |                        | Wire Guard    | 14,817     | 138.4  | 107.1 |                                      |       |
| LLHV4-40M-NST-EU-CP    |                        | Clear Polycarbonate    |                        |                        |               | 15,597     | 138.4  | 112.7 |                                      |       |
| LLHV4-40M-NST-EU-SFAWG |                        | Smooth Frosted Acrylic |                        |                        | Wire Guard    | 14,647     | 138.4  | 105.8 |                                      |       |
| LLHV4-40M-NST-EU-SFA   |                        | Smooth Frosted Acrylic |                        |                        |               | 15,418     | 138.4  | 111.4 |                                      |       |
| LLHV4-40M-NST-EU-WG    |                        |                        |                        |                        | Wire Guard    | 17,031     | 138.4  | 123.1 |                                      |       |
| LLHV4-40M-NST-EU       |                        |                        |                        |                        |               | 18,053     | 138.4  | 130.4 |                                      |       |
| LLHV4-40M-WST-EU-CAWG  |                        | Clear Acrylic          |                        |                        | Wire Guard    | 16,144     | 138.4  | 116.6 |                                      |       |
| LLHV4-40M-WST-EU-CA    |                        | Clear Acrylic          |                        |                        | 16,993        | 138.4      | 122.8  |       |                                      |       |
| LLHV4-40M-WST-EU-CPWG  |                        | Clear Polycarbonate    |                        | Wire Guard             | 15,435        | 138.4      | 111.5  |       |                                      |       |
| LLHV4-40M-WST-EU-CP    |                        | Clear Polycarbonate    |                        |                        | 16,246        | 138.4      | 117.4  |       |                                      |       |
| LLHV4-40M-WST-EU-SFAWG |                        | Smooth Frosted Acrylic |                        | Wire Guard             | 15,257        | 138.4      | 110.2  |       |                                      |       |
| LLHV4-40M-WST-EU-SFA   |                        | Smooth Frosted Acrylic |                        |                        | 16,060        | 138.4      | 116.0  |       |                                      |       |
| LLHV4-40M-WST-EU-WG    |                        |                        |                        | Wire Guard             | 17,740        | 138.4      | 128.2  |       |                                      |       |
| LLHV4-40M-WST-EU       |                        |                        |                        |                        | 18,685        | 138.4      | 135.0  |       |                                      |       |
| LLHV4-50M-NST-EU-CAWG  |                        | 50K                    |                        | Narrow                 | Clear Acrylic | Wire Guard | 16,871 | 138.4 |                                      | 121.9 |
| LLHV4-50M-NST-EU-CA    |                        |                        |                        |                        | Clear Acrylic |            | 17,759 | 138.4 |                                      | 128.3 |
| LLHV4-50M-NST-EU-CPWG  |                        |                        | Clear Polycarbonate    |                        | Wire Guard    | 16,129     | 138.4  | 116.5 |                                      |       |
| LLHV4-50M-NST-EU-CP    |                        |                        | Clear Polycarbonate    |                        |               | 16,979     | 138.4  | 122.7 |                                      |       |
| LLHV4-50M-NST-EU-SFAWG | Smooth Frosted Acrylic |                        | Wire Guard             |                        | 15,944        | 138.4      | 115.2  |       |                                      |       |
| LLHV4-50M-NST-EU-SFA   | Smooth Frosted Acrylic |                        |                        |                        | 16,783        | 138.4      | 121.3  |       |                                      |       |
| LLHV4-50M-NST-EU-WG    |                        |                        | Wire Guard             |                        | 18,539        | 138.4      | 134.0  |       |                                      |       |
| LLHV4-50M-NST-EU       |                        |                        |                        |                        | 19,652        | 138.4      | 142.0  |       |                                      |       |
| LLHV4-50M-WST-EU-CAWG  | Clear Acrylic          |                        | Wire Guard             |                        | 17,574        | 138.4      | 127.0  |       |                                      |       |
| LLHV4-50M-WST-EU-CA    | Clear Acrylic          |                        |                        | 18,499                 | 138.4         | 133.7      |        |       |                                      |       |
| LLHV4-50M-WST-EU-CPWG  | Clear Polycarbonate    |                        | Wire Guard             | 16,802                 | 138.4         | 121.4      |        |       |                                      |       |
| LLHV4-50M-WST-EU-CP    | Clear Polycarbonate    |                        |                        | 17,686                 | 138.4         | 127.8      |        |       |                                      |       |
| LLHV4-50M-WST-EU-SFAWG | Smooth Frosted Acrylic |                        | Wire Guard             | 16,608                 | 138.4         | 120.0      |        |       |                                      |       |
| LLHV4-50M-WST-EU-SFA   | Smooth Frosted Acrylic |                        |                        | 17,482                 | 138.4         | 126.3      |        |       |                                      |       |
| LLHV4-50M-WST-EU-WG    |                        |                        | Wire Guard             | 19,312                 | 138.4         | 139.5      |        |       |                                      |       |
| LLHV4-50M-WST-EU       |                        |                        |                        | 20,340                 | 138.4         | 147.0      |        |       |                                      |       |

| Lumen Package          | Output | Color                  | Distribution           | Lens                   | Wire Guard             | Lumens     | Watts  | LPW   | Typically Replaces                |       |
|------------------------|--------|------------------------|------------------------|------------------------|------------------------|------------|--------|-------|-----------------------------------|-------|
| LLHV4-35H-NST-EU-CAWG  | High   | 35K                    | Narrow                 | Clear Acrylic          | Wire Guard             | 19,979     | 193.5  | 103.3 | 400W Metal Halide,<br>6T5 HO, 8T8 |       |
| LLHV4-35H-NST-EU-CA    |        |                        |                        | Clear Acrylic          |                        | 21,206     | 193.7  | 109.5 |                                   |       |
| LLHV4-35H-NST-EU-CP    |        |                        |                        | Clear Polycarbonate    |                        | 20,476     | 193.3  | 105.9 |                                   |       |
| LLHV4-35H-NST-EU-SFA   |        |                        |                        | Smooth Frosted Acrylic |                        | 20,197     | 193.4  | 104.4 |                                   |       |
| LLHV4-35H-NST-EU-WG    |        |                        |                        |                        | Wire Guard             | 22,201     | 193.8  | 114.6 |                                   |       |
| LLHV4-35H-NST-EU       |        |                        |                        |                        |                        | 23,465     | 194.5  | 120.6 |                                   |       |
| LLHV4-35H-WST-EU-CAWG  |        |                        | Wide                   | Clear Acrylic          | Wire Guard             | 20,827     | 193.5  | 107.6 |                                   |       |
| LLHV4-35H-WST-EU-CA    |        |                        |                        | Clear Acrylic          |                        | 22,105     | 193.7  | 114.1 |                                   |       |
| LLHV4-35H-WST-EU-CPWG  |        |                        |                        | Clear Polycarbonate    | Wire Guard             | 20,162     | 193.4  | 104.2 |                                   |       |
| LLHV4-35H-WST-EU-CP    |        |                        |                        | Clear Polycarbonate    |                        | 21,344     | 193.3  | 110.4 |                                   |       |
| LLHV4-35H-WST-EU-SFAWG |        |                        |                        | Smooth Frosted Acrylic | Wire Guard             | 19,917     | 193.3  | 103.0 |                                   |       |
| LLHV4-35H-WST-EU-SFA   |        |                        |                        | Smooth Frosted Acrylic |                        | 21,054     | 193.4  | 108.9 |                                   |       |
| LLHV4-35H-WST-EU-WG    |        |                        |                        | Wire Guard             | 23,142                 | 193.8      | 119.4  |       |                                   |       |
| LLHV4-35H-WST-EU       |        |                        |                        |                        | 24,265                 | 194.8      | 124.6  |       |                                   |       |
| LLHV4-40H-NST-EU-CAWG  |        |                        | 40K                    | Narrow                 | Clear Acrylic          | Wire Guard | 20,298 | 193.5 |                                   | 104.9 |
| LLHV4-40H-NST-EU-CA    |        |                        |                        |                        | Clear Acrylic          |            | 21,546 | 193.7 |                                   | 111.2 |
| LLHV4-40H-NST-EU-CP    |        |                        |                        |                        | Clear Polycarbonate    |            | 20,803 | 193.3 |                                   | 107.6 |
| LLHV4-40H-NST-EU-SFA   |        |                        |                        |                        | Smooth Frosted Acrylic |            | 20,521 | 193.4 |                                   | 106.1 |
| LLHV4-40H-NST-EU-WG    |        |                        |                        |                        |                        | Wire Guard | 22,556 | 193.8 |                                   | 116.4 |
| LLHV4-40H-NST-EU       |        |                        |                        |                        |                        |            | 23,840 | 194.5 |                                   | 122.6 |
| LLHV4-40H-WST-EU-CAWG  |        |                        |                        | Wide                   | Clear Acrylic          | Wire Guard | 21,144 | 193.5 |                                   | 109.3 |
| LLHV4-40H-WST-EU-CA    |        |                        |                        |                        | Clear Acrylic          |            | 22,443 | 193.7 |                                   | 115.9 |
| LLHV4-40H-WST-EU-CPWG  |        |                        |                        |                        | Clear Polycarbonate    | Wire Guard | 20,468 | 193.4 |                                   | 105.8 |
| LLHV4-40H-WST-EU-CP    |        |                        |                        |                        | Clear Polycarbonate    |            | 21,670 | 193.3 |                                   | 112.1 |
| LLHV4-40H-WST-EU-SFAWG |        | Smooth Frosted Acrylic |                        |                        | Wire Guard             | 20,220     | 193.3  | 104.6 |                                   |       |
| LLHV4-40H-WST-EU-SFA   |        | Smooth Frosted Acrylic |                        |                        |                        | 21,376     | 193.4  | 110.5 |                                   |       |
| LLHV4-40H-WST-EU-WG    |        |                        |                        | Wire Guard             | 23,496                 | 193.8      | 121.2  |       |                                   |       |
| LLHV4-40H-WST-EU       |        |                        |                        |                        | 24,653                 | 194.8      | 126.6  |       |                                   |       |
| LLHV4-50H-NST-EU-CAWG  |        | 50K                    |                        | Narrow                 | Clear Acrylic          | Wire Guard | 22,096 | 193.5 |                                   | 114.2 |
| LLHV4-50H-NST-EU-CA    |        |                        |                        |                        | Clear Acrylic          |            | 23,454 | 193.7 |                                   | 121.1 |
| LLHV4-50H-NST-EU-CPWG  |        |                        |                        |                        | Clear Polycarbonate    | Wire Guard | 21,390 | 193.4 |                                   | 110.6 |
| LLHV4-50H-NST-EU-CP    |        |                        |                        |                        | Clear Polycarbonate    |            | 22,646 | 193.3 |                                   | 117.2 |
| LLHV4-50H-NST-EU-SFAWG |        |                        |                        |                        | Smooth Frosted Acrylic | Wire Guard | 21,131 | 193.3 |                                   | 109.3 |
| LLHV4-50H-NST-EU-SFA   |        |                        |                        |                        | Smooth Frosted Acrylic |            | 22,338 | 193.4 |                                   | 115.5 |
| LLHV4-50H-NST-EU-WG    |        |                        |                        |                        | Wire Guard             | 24,554     | 193.8  | 126.7 |                                   |       |
| LLHV4-50H-NST-EU       |        |                        |                        |                        |                        | 25,952     | 194.5  | 133.4 |                                   |       |
| LLHV4-50H-WST-EU-CAWG  | Wide   |                        |                        | Clear Acrylic          | Wire Guard             | 23,017     | 193.5  | 119.0 |                                   |       |
| LLHV4-50H-WST-EU-CA    |        |                        |                        | Clear Acrylic          |                        | 24,432     | 193.7  | 126.1 |                                   |       |
| LLHV4-50H-WST-EU-CPWG  |        |                        | Clear Polycarbonate    | Wire Guard             | 22,281                 | 193.4      | 115.2  |       |                                   |       |
| LLHV4-50H-WST-EU-CP    |        |                        | Clear Polycarbonate    |                        | 23,590                 | 193.3      | 122.0  |       |                                   |       |
| LLHV4-50H-WST-EU-SFAWG |        |                        | Smooth Frosted Acrylic | Wire Guard             | 22,012                 | 193.3      | 113.9  |       |                                   |       |
| LLHV4-50H-WST-EU-SFA   |        |                        | Smooth Frosted Acrylic |                        | 23,269                 | 193.4      | 120.3  |       |                                   |       |
| LLHV4-50H-WST-EU-WG    |        |                        | Wire Guard             | 25,577                 | 193.8                  | 132.0      |        |       |                                   |       |
| LLHV4-50H-WST-EU       |        |                        |                        | 26,837                 | 194.8                  | 137.8      |        |       |                                   |       |

| Lumen Package          | Output                 | Color                  | Distribution           | Lens                   | Wire Guard    | Lumens        | Watts      | LPW    | Typically Replaces       |       |
|------------------------|------------------------|------------------------|------------------------|------------------------|---------------|---------------|------------|--------|--------------------------|-------|
| LLHV4-35V-NST-EU-CAWG  | Very High              | 35K                    | Narrow                 | Clear Acrylic          | Wire Guard    | 28,507        | 244.3      | 116.7  | 400W - 750W Metal Halide |       |
| LLHV4-35V-NST-EU-CA    |                        |                        |                        | Clear Acrylic          |               | 29,932        | 244.3      | 122.5  |                          |       |
| LLHV4-35V-NST-EU-CPWG  |                        |                        |                        | Clear Polycarbonate    | Wire Guard    | 27,578        | 244.3      | 112.9  |                          |       |
| LLHV4-35V-NST-EU-CP    |                        |                        |                        | Clear Polycarbonate    |               | 28,957        | 244.3      | 118.5  |                          |       |
| LLHV4-35V-NST-EU-SFAWG |                        |                        |                        | Smooth Frosted Acrylic | Wire Guard    | 27,268        | 244.3      | 111.6  |                          |       |
| LLHV4-35V-NST-EU-SFA   |                        |                        |                        | Smooth Frosted Acrylic |               | 28,631        | 244.3      | 117.2  |                          |       |
| LLHV4-35V-NST-EU-WG    |                        |                        |                        |                        | Wire Guard    | 29,414        | 244.5      | 120.3  |                          |       |
| LLHV4-35V-NST-EU       |                        |                        |                        |                        |               | 31,013        | 244.3      | 126.9  |                          |       |
| LLHV4-35V-WST-EU-CAWG  |                        |                        |                        | Wide                   | Clear Acrylic | Wire Guard    | 29,077     | 244.3  |                          | 119.0 |
| LLHV4-35V-WST-EU-CA    |                        |                        | Clear Acrylic          |                        |               | 30,531        | 244.3      | 125.0  |                          |       |
| LLHV4-35V-WST-EU-CPWG  |                        |                        | Clear Polycarbonate    |                        | Wire Guard    | 28,130        | 244.3      | 115.1  |                          |       |
| LLHV4-35V-WST-EU-CP    |                        |                        | Clear Polycarbonate    |                        |               | 29,536        | 244.3      | 120.9  |                          |       |
| LLHV4-35V-WST-EU-SFAWG |                        |                        | Smooth Frosted Acrylic |                        | Wire Guard    | 27,813        | 244.3      | 113.8  |                          |       |
| LLHV4-35V-WST-EU-SFA   |                        |                        | Smooth Frosted Acrylic |                        |               | 29,204        | 244.3      | 119.5  |                          |       |
| LLHV4-35V-WST-EU-WG    |                        |                        |                        |                        | Wire Guard    | 30,014        | 244.5      | 122.8  |                          |       |
| LLHV4-35V-WST-EU       |                        |                        |                        |                        |               | 31,613        | 244.5      | 129.3  |                          |       |
| LLHV4-40V-NST-EU-CAWG  |                        |                        | 40K                    |                        | Narrow        | Clear Acrylic | Wire Guard | 28,963 |                          | 244.3 |
| LLHV4-40V-NST-EU-CA    |                        |                        |                        | Clear Acrylic          |               |               | 30,411     | 244.3  |                          | 124.5 |
| LLHV4-40V-NST-EU-CPWG  |                        | Clear Polycarbonate    |                        | Wire Guard             |               | 28,019        | 244.3      | 114.7  |                          |       |
| LLHV4-40V-NST-EU-CP    |                        | Clear Polycarbonate    |                        |                        |               | 29,420        | 244.3      | 120.4  |                          |       |
| LLHV4-40V-NST-EU-SFAWG |                        | Smooth Frosted Acrylic |                        | Wire Guard             |               | 27,704        | 244.3      | 113.4  |                          |       |
| LLHV4-40V-NST-EU-SFA   |                        | Smooth Frosted Acrylic |                        |                        |               | 29,090        | 244.3      | 119.1  |                          |       |
| LLHV4-40V-NST-EU-WG    |                        |                        |                        | Wire Guard             |               | 29,884        | 244.5      | 122.2  |                          |       |
| LLHV4-40V-NST-EU       |                        |                        |                        |                        |               | 31,509        | 244.3      | 129.0  |                          |       |
| LLHV4-40V-WST-EU-CAWG  |                        | Wide                   |                        | Clear Acrylic          |               | Wire Guard    | 29,542     | 244.3  |                          | 120.9 |
| LLHV4-40V-WST-EU-CA    |                        |                        |                        | Clear Acrylic          |               | 31,019        | 244.3      | 127.0  |                          |       |
| LLHV4-40V-WST-EU-CPWG  |                        |                        |                        | Clear Polycarbonate    | Wire Guard    | 28,580        | 244.3      | 117.0  |                          |       |
| LLHV4-40V-WST-EU-CP    |                        |                        |                        | Clear Polycarbonate    |               | 30,009        | 244.3      | 122.8  |                          |       |
| LLHV4-40V-WST-EU-SFAWG |                        |                        |                        | Smooth Frosted Acrylic | Wire Guard    | 28,258        | 244.3      | 115.7  |                          |       |
| LLHV4-40V-WST-EU-SFA   |                        |                        |                        | Smooth Frosted Acrylic |               | 29,671        | 244.3      | 121.5  |                          |       |
| LLHV4-40V-WST-EU-WG    |                        |                        |                        |                        | Wire Guard    | 30,495        | 244.5      | 124.7  |                          |       |
| LLHV4-40V-WST-EU       |                        |                        |                        |                        |               | 34,964        | 244.5      | 143.0  |                          |       |
| LLHV4-50V-NST-EU-CAWG  |                        |                        |                        | 50K                    | Narrow        | Clear Acrylic | Wire Guard | 31,529 |                          | 244.3 |
| LLHV4-50V-NST-EU-CA    |                        | Clear Acrylic          |                        |                        |               |               | 33,105     | 244.3  |                          | 135.5 |
| LLHV4-50V-NST-EU-CPWG  |                        | Clear Polycarbonate    | Wire Guard             |                        |               | 30,501        | 244.3      | 124.9  |                          |       |
| LLHV4-50V-NST-EU-CP    |                        | Clear Polycarbonate    |                        |                        |               | 32,026        | 244.3      | 131.1  |                          |       |
| LLHV4-50V-NST-EU-SFAWG | Smooth Frosted Acrylic | Wire Guard             | 30,158                 |                        |               | 244.3         | 123.4      |        |                          |       |
| LLHV4-50V-NST-EU-SFA   | Smooth Frosted Acrylic |                        | 31,666                 |                        |               | 244.3         | 129.6      |        |                          |       |
| LLHV4-50V-NST-EU-WG    |                        | Wire Guard             | 32,532                 |                        |               | 244.5         | 133.1      |        |                          |       |
| LLHV4-50V-NST-EU       |                        |                        | 34,301                 |                        |               | 244.3         | 140.4      |        |                          |       |
| LLHV4-50V-WST-EU-CAWG  | Wide                   | Clear Acrylic          | Wire Guard             |                        |               | 32,159        | 244.3      | 131.6  |                          |       |
| LLHV4-50V-WST-EU-CA    |                        | Clear Acrylic          |                        |                        | 33,767        | 244.3         | 138.2      |        |                          |       |
| LLHV4-50V-WST-EU-CPWG  |                        | Clear Polycarbonate    | Wire Guard             |                        | 31,111        | 244.3         | 127.3      |        |                          |       |
| LLHV4-50V-WST-EU-CP    |                        | Clear Polycarbonate    |                        |                        | 32,667        | 244.3         | 133.7      |        |                          |       |
| LLHV4-50V-WST-EU-SFAWG |                        | Smooth Frosted Acrylic | Wire Guard             |                        | 30,762        | 244.3         | 125.9      |        |                          |       |
| LLHV4-50V-WST-EU-SFA   |                        | Smooth Frosted Acrylic |                        |                        | 32,299        | 244.3         | 132.2      |        |                          |       |
| LLHV4-50V-WST-EU-WG    |                        |                        | Wire Guard             |                        | 33,196        | 244.5         | 135.8      |        |                          |       |
| LLHV4-50V-WST-EU       |                        |                        |                        |                        | 34,964        | 244.5         | 143.0      |        |                          |       |

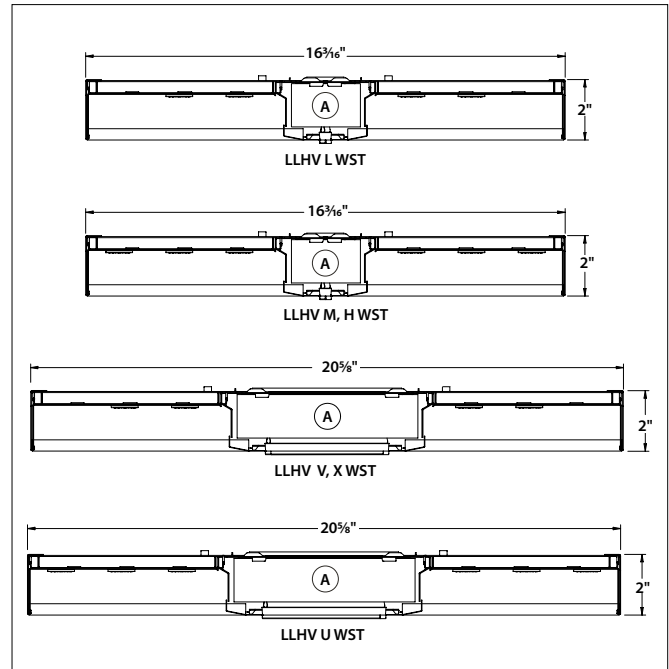
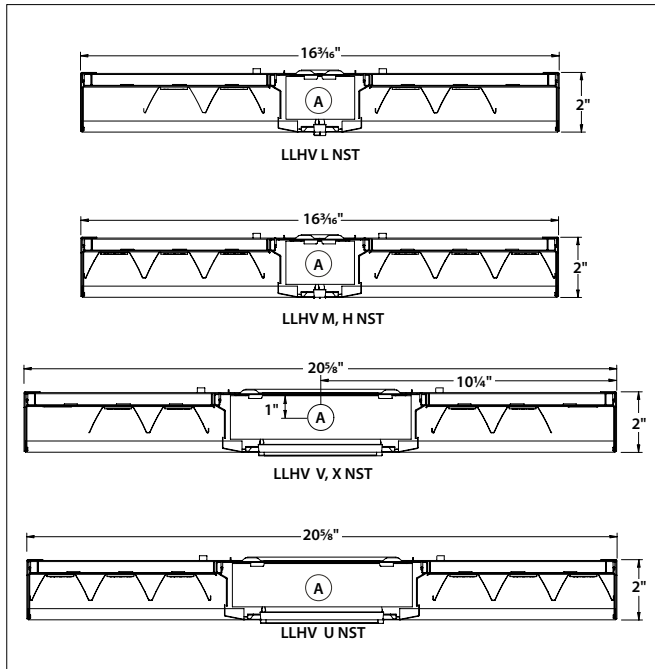


| Lumen Package          | Output                 | Color                  | Distribution           | Lens                   | Wire Guard             | Lumens                 | Watts         | LPW        | Typically Replaces         |               |               |            |
|------------------------|------------------------|------------------------|------------------------|------------------------|------------------------|------------------------|---------------|------------|----------------------------|---------------|---------------|------------|
| LLHV4-35X-NST-EU-CAWG  | Extra High             | 35K                    | Narrow                 | Clear Acrylic          | Wire Guard             | 32,502                 | 285.9         | 113.7      | 750W - 1,000W Metal Halide |               |               |            |
| LLHV4-35X-NST-EU-CA    |                        |                        |                        | Clear Acrylic          |                        | 34,127                 | 285.9         | 119.4      |                            |               |               |            |
| LLHV4-35X-NST-EU-CPWG  |                        |                        |                        | Clear Polycarbonate    | Wire Guard             | 31,442                 | 285.9         | 110.0      |                            |               |               |            |
| LLHV4-35X-NST-EU-CP    |                        |                        |                        | Clear Polycarbonate    |                        | 33,014                 | 285.9         | 115.5      |                            |               |               |            |
| LLHV4-35X-NST-EU-SFAWG |                        |                        |                        | Smooth Frosted Acrylic | Wire Guard             | 31,089                 | 285.9         | 108.7      |                            |               |               |            |
| LLHV4-35X-NST-EU-SFA   |                        |                        |                        | Smooth Frosted Acrylic |                        | 32,643                 | 285.9         | 114.2      |                            |               |               |            |
| LLHV4-35X-NST-EU-WG    |                        |                        |                        |                        | Wire Guard             | 33,356                 | 286.7         | 116.3      |                            |               |               |            |
| LLHV4-35X-NST-EU       |                        |                        |                        |                        |                        | 35,359                 | 285.9         | 123.7      |                            |               |               |            |
| LLHV4-35X-WST-EU-CAWG  |                        |                        |                        | Wide                   | 35K                    | Wide                   | Clear Acrylic | Wire Guard |                            | 33,152        | 285.9         | 116.0      |
| LLHV4-35X-WST-EU-CA    |                        |                        | Clear Acrylic          |                        |                        |                        |               | 34,810     |                            | 285.9         | 121.8         |            |
| LLHV4-35X-WST-EU-CPWG  |                        |                        | Clear Polycarbonate    |                        |                        |                        | Wire Guard    | 32,071     |                            | 285.9         | 112.2         |            |
| LLHV4-35X-WST-EU-CP    |                        |                        | Clear Polycarbonate    |                        |                        |                        |               | 33,674     |                            | 285.9         | 117.8         |            |
| LLHV4-35X-WST-EU-SFAWG |                        |                        | Smooth Frosted Acrylic |                        |                        |                        | Wire Guard    | 31,711     |                            | 285.9         | 110.9         |            |
| LLHV4-35X-WST-EU-SFA   |                        |                        | Smooth Frosted Acrylic |                        |                        |                        |               | 33,296     |                            | 285.9         | 116.5         |            |
| LLHV4-35X-WST-EU-WG    |                        |                        |                        |                        |                        |                        | Wire Guard    | 34,037     |                            | 286.7         | 118.7         |            |
| LLHV4-35X-WST-EU       |                        |                        |                        |                        |                        |                        |               | 35,850     |                            | 286.7         | 125.0         |            |
| LLHV4-40X-NST-EU-CAWG  |                        |                        | Extra High             |                        |                        |                        | 40K           | Narrow     |                            | Clear Acrylic | Wire Guard    | 33,022     |
| LLHV4-40X-NST-EU-CA    |                        |                        |                        | Clear Acrylic          |                        | 34,673                 |               |            |                            | 285.9         | 121.3         |            |
| LLHV4-40X-NST-EU-CPWG  |                        | Clear Polycarbonate    |                        | Wire Guard             | 31,945                 | 285.9                  |               |            |                            | 111.7         |               |            |
| LLHV4-40X-NST-EU-CP    |                        | Clear Polycarbonate    |                        |                        | 33,542                 | 285.9                  |               |            |                            | 117.3         |               |            |
| LLHV4-40X-NST-EU-SFAWG |                        | Smooth Frosted Acrylic |                        | Wire Guard             | 31,586                 | 285.9                  |               |            |                            | 110.5         |               |            |
| LLHV4-40X-NST-EU-SFA   |                        | Smooth Frosted Acrylic |                        |                        | 33,166                 | 285.9                  |               |            |                            | 116.0         |               |            |
| LLHV4-40X-NST-EU-WG    |                        |                        |                        | Wire Guard             | 33,890                 | 286.7                  |               |            |                            | 118.2         |               |            |
| LLHV4-40X-NST-EU       |                        |                        |                        |                        | 35,925                 | 285.9                  |               |            |                            | 125.7         |               |            |
| LLHV4-40X-WST-EU-CAWG  |                        | Wide                   |                        | 40K                    | Wide                   | Clear Acrylic          |               |            |                            | Wire Guard    | 33,682        | 285.9      |
| LLHV4-40X-WST-EU-CA    |                        |                        |                        |                        |                        | Clear Acrylic          |               |            |                            | 35,367        | 285.9         | 123.7      |
| LLHV4-40X-WST-EU-CPWG  |                        |                        |                        |                        |                        | Clear Polycarbonate    |               | Wire Guard |                            | 32,584        | 285.9         | 114.0      |
| LLHV4-40X-WST-EU-CP    |                        |                        |                        |                        |                        | Clear Polycarbonate    |               |            |                            | 34,213        | 285.9         | 119.7      |
| LLHV4-40X-WST-EU-SFAWG |                        |                        |                        |                        |                        | Smooth Frosted Acrylic |               | Wire Guard |                            | 32,218        | 285.9         | 112.7      |
| LLHV4-40X-WST-EU-SFA   |                        |                        |                        |                        |                        | Smooth Frosted Acrylic |               |            |                            | 33,829        | 285.9         | 118.3      |
| LLHV4-40X-WST-EU-WG    |                        |                        |                        |                        |                        |                        |               | Wire Guard |                            | 34,581        | 286.7         | 120.6      |
| LLHV4-40X-WST-EU       |                        |                        |                        |                        |                        |                        |               |            |                            | 36,423        | 286.7         | 127.0      |
| LLHV4-50X-NST-EU-CAWG  |                        |                        |                        |                        |                        | Extra High             |               | 50K        |                            | Narrow        | Clear Acrylic | Wire Guard |
| LLHV4-50X-NST-EU-CA    |                        | Clear Acrylic          |                        |                        | 37,745                 |                        |               |            |                            |               | 285.9         | 132.0      |
| LLHV4-50X-NST-EU-CPWG  |                        | Clear Polycarbonate    |                        | Wire Guard             | 34,775                 |                        | 285.9         |            |                            |               | 121.6         |            |
| LLHV4-50X-NST-EU-CP    |                        | Clear Polycarbonate    |                        |                        | 36,514                 |                        | 285.9         |            |                            |               | 127.7         |            |
| LLHV4-50X-NST-EU-SFAWG | Smooth Frosted Acrylic | Wire Guard             |                        | 34,384                 | 285.9                  |                        | 120.3         |            |                            |               |               |            |
| LLHV4-50X-NST-EU-SFA   | Smooth Frosted Acrylic |                        |                        | 36,104                 | 285.9                  |                        | 126.3         |            |                            |               |               |            |
| LLHV4-50X-NST-EU-WG    |                        | Wire Guard             |                        | 36,892                 | 286.7                  |                        | 128.7         |            |                            |               |               |            |
| LLHV4-50X-NST-EU       |                        |                        |                        | 39,107                 | 285.9                  |                        | 136.8         |            |                            |               |               |            |
| LLHV4-50X-WST-EU-CAWG  | Wide                   | 50K                    |                        | Wide                   | Clear Acrylic          |                        | Wire Guard    |            | 36,666                     |               | 285.9         | 128.2      |
| LLHV4-50X-WST-EU-CA    |                        |                        |                        |                        | Clear Acrylic          |                        |               |            | 38,499                     | 285.9         | 134.7         |            |
| LLHV4-50X-WST-EU-CPWG  |                        |                        |                        |                        | Clear Polycarbonate    |                        | Wire Guard    |            | 35,470                     | 285.9         | 124.1         |            |
| LLHV4-50X-WST-EU-CP    |                        |                        |                        |                        | Clear Polycarbonate    |                        |               |            | 37,244                     | 285.9         | 130.3         |            |
| LLHV4-50X-WST-EU-SFAWG |                        |                        |                        |                        | Smooth Frosted Acrylic |                        | Wire Guard    |            | 35,072                     | 285.9         | 122.7         |            |
| LLHV4-50X-WST-EU-SFA   |                        |                        |                        |                        | Smooth Frosted Acrylic |                        |               |            | 36,825                     | 285.9         | 128.8         |            |
| LLHV4-50X-WST-EU-WG    |                        |                        |                        |                        |                        |                        | Wire Guard    |            | 37,644                     | 286.7         | 131.3         |            |
| LLHV4-50X-WST-EU       |                        |                        |                        |                        |                        |                        |               |            | 39,650                     | 286.7         | 138.3         |            |

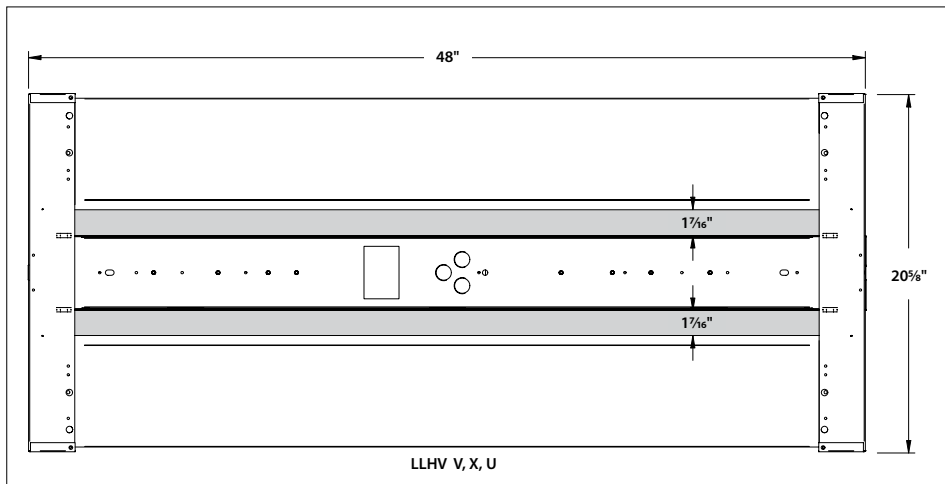


| Lumen Package          | Output     | Color      | Distribution           | Lens                   | Wire Guard    | Lumens                 | Watts         | LPW        | Typically Replaces  |        |       |       |
|------------------------|------------|------------|------------------------|------------------------|---------------|------------------------|---------------|------------|---------------------|--------|-------|-------|
| LLHV4-35U-NST-EU-CAWG  | Ultra High | 35K        | Narrow                 | Clear Acrylic          | Wire Guard    | 40,141                 | 368.1         | 109.0      | 1,000W Metal Halide |        |       |       |
| LLHV4-35U-NST-EU-CA    |            |            |                        | Clear Acrylic          |               | 42,254                 | 368.1         | 114.8      |                     |        |       |       |
| LLHV4-35U-NST-EU-CPWG  |            |            |                        | Clear Polycarbonate    | Wire Guard    | 38,377                 | 368.1         | 104.3      |                     |        |       |       |
| LLHV4-35U-NST-EU-CP    |            |            |                        | Clear Polycarbonate    |               | 40,397                 | 368.1         | 109.7      |                     |        |       |       |
| LLHV4-35U-NST-EU-SFAWG |            |            |                        | Smooth Frosted Acrylic | Wire Guard    | 37,936                 | 368.1         | 103.1      |                     |        |       |       |
| LLHV4-35U-NST-EU-SFA   |            |            |                        | Smooth Frosted Acrylic |               | 39,932                 | 368.1         | 108.5      |                     |        |       |       |
| LLHV4-35U-NST-EU-WG    |            |            |                        |                        | Wire Guard    | 44,111                 | 368.1         | 119.8      |                     |        |       |       |
| LLHV4-35U-NST-EU       |            |            |                        |                        |               | 46,659                 | 368.4         | 126.7      |                     |        |       |       |
| LLHV4-35U-WST-EU-CAWG  |            |            |                        | Wide                   | Clear Acrylic | Wire Guard             | 40,960        | 368.1      |                     | 111.3  |       |       |
| LLHV4-35U-WST-EU-CA    |            |            |                        |                        | Clear Acrylic |                        | 43,116        | 368.1      |                     | 117.1  |       |       |
| LLHV4-35U-WST-EU-CPWG  |            |            | Clear Polycarbonate    |                        | Wire Guard    | 39,160                 | 368.1         | 106.4      |                     |        |       |       |
| LLHV4-35U-WST-EU-CP    |            |            | Clear Polycarbonate    |                        |               | 41,221                 | 368.1         | 112.0      |                     |        |       |       |
| LLHV4-35U-WST-EU-SFAWG |            |            | Smooth Frosted Acrylic |                        | Wire Guard    | 38,710                 | 368.1         | 105.2      |                     |        |       |       |
| LLHV4-35U-WST-EU-SFA   |            |            | Smooth Frosted Acrylic |                        |               | 40,747                 | 368.1         | 110.7      |                     |        |       |       |
| LLHV4-35U-WST-EU-WG    |            |            |                        |                        | Wire Guard    | 45,011                 | 368.1         | 122.3      |                     |        |       |       |
| LLHV4-35U-WST-EU       |            |            |                        |                        |               | 47,409                 | 368.2         | 128.8      |                     |        |       |       |
| LLHV4-40U-NST-EU-CAWG  |            |            | Ultra High             |                        | 40K           | Narrow                 | Clear Acrylic | Wire Guard |                     | 40,784 | 368.1 | 110.8 |
| LLHV4-40U-NST-EU-CA    |            |            |                        |                        |               |                        | Clear Acrylic |            |                     | 42,930 | 368.1 | 116.6 |
| LLHV4-40U-NST-EU-CPWG  |            |            |                        | Clear Polycarbonate    |               |                        | Wire Guard    | 38,991     |                     | 368.1  | 105.9 |       |
| LLHV4-40U-NST-EU-CP    |            |            |                        | Clear Polycarbonate    |               |                        |               | 41,043     |                     | 368.1  | 111.5 |       |
| LLHV4-40U-NST-EU-SFAWG |            |            |                        | Smooth Frosted Acrylic |               |                        | Wire Guard    | 38,543     |                     | 368.1  | 104.7 |       |
| LLHV4-40U-NST-EU-SFA   |            |            |                        | Smooth Frosted Acrylic |               |                        |               | 40,571     |                     | 368.1  | 110.2 |       |
| LLHV4-40U-NST-EU-WG    |            |            |                        |                        |               |                        | Wire Guard    | 44,817     |                     | 368.1  | 121.8 |       |
| LLHV4-40U-NST-EU       |            |            |                        |                        |               |                        |               | 47,405     |                     | 368.4  | 128.7 |       |
| LLHV4-40U-WST-EU-CAWG  |            |            |                        | Wide                   |               |                        | Clear Acrylic | Wire Guard |                     | 41,616 | 368.1 | 113.1 |
| LLHV4-40U-WST-EU-CA    |            |            |                        |                        |               |                        | Clear Acrylic |            |                     | 43,806 | 368.1 | 119.0 |
| LLHV4-40U-WST-EU-CPWG  |            |            |                        |                        |               | Clear Polycarbonate    | Wire Guard    | 39,787     |                     | 268.1  | 148.4 |       |
| LLHV4-40U-WST-EU-CP    |            |            |                        |                        |               | Clear Polycarbonate    |               | 41,880     |                     | 368.1  | 113.8 |       |
| LLHV4-40U-WST-EU-SFAWG |            |            |                        |                        |               | Smooth Frosted Acrylic | Wire Guard    | 39,329     |                     | 368.1  | 106.8 |       |
| LLHV4-40U-WST-EU-SFA   |            |            |                        |                        |               | Smooth Frosted Acrylic |               | 41,399     |                     | 368.1  | 112.5 |       |
| LLHV4-40U-WST-EU-WG    |            | Wire Guard |                        |                        |               | 45,730                 | 368.1         | 124.2      |                     |        |       |       |
| LLHV4-40U-WST-EU       |            |            |                        |                        |               | 48,168                 | 368.2         | 130.8      |                     |        |       |       |
| LLHV4-50U-NST-EU-CAWG  | Ultra High | 50K        |                        |                        |               | Narrow                 | Clear Acrylic | Wire Guard | 44,396              | 368.1  | 120.6 |       |
| LLHV4-50U-NST-EU-CA    |            |            |                        |                        |               |                        | Clear Acrylic |            | 46,733              | 368.1  | 127.0 |       |
| LLHV4-50U-NST-EU-CPWG  |            |            |                        | Clear Polycarbonate    |               |                        | Wire Guard    | 42,445     | 368.1               | 115.3  |       |       |
| LLHV4-50U-NST-EU-CP    |            |            |                        | Clear Polycarbonate    |               |                        |               | 44,679     | 368.1               | 121.4  |       |       |
| LLHV4-50U-NST-EU-SFAWG |            |            |                        | Smooth Frosted Acrylic |               |                        | Wire Guard    | 41,957     | 368.1               | 114.0  |       |       |
| LLHV4-50U-NST-EU-SFA   |            |            |                        | Smooth Frosted Acrylic |               |                        |               | 44,165     | 368.1               | 120.0  |       |       |
| LLHV4-50U-NST-EU-WG    |            |            |                        |                        |               |                        | Wire Guard    | 48,787     | 368.1               | 132.5  |       |       |
| LLHV4-50U-NST-EU       |            |            |                        |                        |               |                        |               | 51,604     | 368.4               | 140.1  |       |       |
| LLHV4-50U-WST-EU-CAWG  |            |            |                        | Wide                   |               |                        | Clear Acrylic | Wire Guard | 45,302              | 368.1  | 123.1 |       |
| LLHV4-50U-WST-EU-CA    |            |            |                        |                        |               |                        | Clear Acrylic |            | 47,686              | 368.1  | 129.5 |       |
| LLHV4-50U-WST-EU-CPWG  |            |            |                        |                        |               | Clear Polycarbonate    | Wire Guard    | 43,311     | 368.1               | 117.7  |       |       |
| LLHV4-50U-WST-EU-CP    |            |            |                        |                        |               | Clear Polycarbonate    |               | 45,590     | 368.1               | 123.9  |       |       |
| LLHV4-50U-WST-EU-SFAWG |            |            |                        |                        |               | Smooth Frosted Acrylic | Wire Guard    | 42,813     | 368.1               | 116.3  |       |       |
| LLHV4-50U-WST-EU-SFA   |            |            |                        |                        |               | Smooth Frosted Acrylic |               | 45,066     | 368.1               | 122.4  |       |       |
| LLHV4-50U-WST-EU-WG    |            |            |                        |                        | Wire Guard    | 49,782                 | 368.1         | 135.2      |                     |        |       |       |
| LLHV4-50U-WST-EU       |            |            |                        |                        |               | 52,434                 | 368.2         | 142.4      |                     |        |       |       |

**DIMENSIONAL DATA**



**A:** 7/8" Knock-out. Typically used for optional sensor feed and placement.



Gray shaded area indicates open space between driver channel and reflector assembly.