

LED



createchange



FEATURES

- Parking Garage luminaire incorporating LED technology
- Long life 60,000 hour LEDs at L80 for reduced maintenance
- Available in 2', 4', or 8' lengths
- IP65, IP67 all models
- IP66 all models with standard polyacetal (POM) latches
- Fiberglass housing with F1 weatherability rating, standard
- Intrnal reflector directs light into parking bays
- Smooth housing for easy cleaning
- Gasket is non-porous to ensure seal
- Impact modified acrylic lens equivalent to 100% DR
- Lens selections are deep profile frost (DFA) standard, or clear (DCA) optional
- Lens firmly secured with captive tamper resistance ready polyacetal (POM) latches
- Stainless steel latching optional
- UL Sanitation Certified per NSF Standards
- Removable gear tray electrical access for modular replaceability
- Emergency battery pack installed, optional on most models
- Standard ambient -20°C to +50 °C (See table for maximum rating)
- Elevated ambient option available on most models
- Includes stainless steel surface mounting brackets
- Occupancy and/or daylight sensing accessories available
- ControlScope® compatible
- DLC® (DesignLights Consortium) Qualified - see www.designlights.org

PROJECT INFORMATION

Project Name _____

Type _____

Catalog No. _____

Date _____

CONSTRUCTION

Housing is formed from UL 5VA fiberglass. F1 weatherability rating, suitable for indoor or outdoor use with respect to exposure to UV light. Pour-in-place non-porous gasketing assures seal. LED affixed to removable heat sinked gear tray. 14 Latches per 8', 8 per 4', 6 per 2'. Latches are provided tamper resistance ready, tamper resistant screws by others. Latches are standard polyacetal (POM), optional in stainless steel. Access openings are provided for electrical access.

SHIELDING

Deep frosted acrylic lens (DFA) impact modified equivalent to 100% DR; modification adds flexibility to reduce impact breakage compared to standard acrylic formulations. Clear lens (DCA) optional.

FINISH

White painted parts are treated with a five-stage phosphate bonding process and finished with high reflectance baked enamel.

ELECTRICAL

Long-life LEDs are rated for 60,000 hours at L80 lumen maintenance. Driver options include fixed

output for on/off function, step dimming (high/low/off) or continuous 0-10V dimming. QR code label affixed to housing for easy traceability.

MOUNTING

Use flexible conduit only.

CERTIFICATION

All luminaires are built to UL 1598 and 2108 standards, and bear appropriate CSA labels. Ingress protection IP65 and IP67 all sizes. IP66 on some models. UL Sanitation Certified per NSF Standards. Wet location labeling is standard. Emergency-equipped fixtures built to UL 924. Adheres to LM70, LM80, and TM21 industry standards. DLC® (DesignLights Consortium) Qualified. Please refer to the DLC website for specific product qualifications at www.designlights.org. The DTS, Dimming Bypass Module, is for emergency circuit control loads including sensors and wireless systems listed to UL924. See page 3 for wiring diagram. [Link to Dimming Bypass Module Specification sheet.](#)

WARRANTY

Five year warranty (Terms and Conditions apply).

ORDERING INFORMATION

EXAMPLE LXEP4-35HL-DFA-EDU

LXEP		-		-		-		U		-			
MODEL	SIZE	COLOR TEMP		LUMEN OUTPUT		SHIELDING		DRIVER		VOLTAGE	OPTIONS		
LXEP LED Parking Garage	2 2' ¹	30	3000K	VW	Very Low Watt	DFA	Deep Frosted Acrylic	E	Fixed Output	U	120V-277V	ELL14	Emergency Battery Pack Installed, 1400 Lumens (0°C minimum operating temp) ²
	4 4'	35	3500K	LW	Low Watt			ED	0-10V Dimming			GLR	Fast Blow Fuse
	8 8'	40	4000K	ML	Medium Lumen	DCA	Deep Clear Acrylic	ED1	0-10V 1% Dimming			DTS	Dimming Bypass Module ^{3,4}
		50	5000K	HL	High Lumen							SSL	Stainless Steel Tamper Resistance Ready Latches
				VL	Very High Lumen							TP	Tamper Proof Latches
				XL	Xtra High Lumen ¹							F3C8W	3-wire 8' Wet Cord
												F3C15W	3-wire 15' Wet Cord
												SWH	Single Wet Hub 1/2" NPT Hub
												DWH	Dual Wet Hub 1/2" NPT Hub
												ZRE	ControlScope® compatible ^{4,5}

SENSOR KITS (Order Separately)
All sensor kits include On/Off Occupancy and Daylight. Daylight activation requires setting of dip-switches on site.

Catalog #	# Relays	Lens Type	Voltage	Wet Label
OS1360WLK	1	360°	120/277	Yes
OS2360WLK	2	360°	120/277	Yes
OS1AWLK	1	Aisle	120/277	Yes
OS2AWLK	2	Aisle	120/277	Yes

ACCESSORIES (ORDER SEPARATELY)

- XEDPM** Dual Pendant Brackets (pendant by others)
- XEHC** Chain Hanger Kit (Includes 14" Chain)
- XE45MB** 45" Mounting Bracket⁶
- XE45MBSS** 45" Stainless Steel Mounting Bracket

¹Not available with battery pack
²Not available with XL lumen package
³For emergency circuit control loads including sensors and wireless systems listed to UL924. See page 3 for wiring diagram
⁴Only available with 0-10V drivers
⁵Registered trademark of DaintreeNetworks, used by permission
⁶Two required for 8' fixture

PRODUCT AVAILABILITY						
SIZE	LUMEN PACKAGE	NOMINAL LUMEN RANGE	NOMINAL WATTS	LUMENS/WATT RANGE	MAX TEMP, HT OPTION	MAX TEMP, ELL14
2'	LW	2960-3225	33	90-98	40°C	(N/A)
	ML	3950-4350	43	92-101	40°C	(N/A)
	HL	4450-4900	51	87-96	25°C	(N/A)
4'	VW	2900-3100	27	108-116	50°C	40°C
	LW	3700-4100	36	103-114	50°C	40°C
	ML	4450-4900	47	95-104	50°C	40°C
	HL	5300-5850	52	102-113	45°C	25°C
	VL	6750-7450	68	99-110	40°C	25°C
	XL	8950-9850	102	88-97	25°C	N/A
8'	VW	5800-6200	54	108-116	50°C	40°C
	LW	7400-8200	72	103-114	50°C	40°C
	ML	8900-9800	94	95-104	50°C	40°C
	HL	10600-11700	104	102-113	45°C	25°C
	VL	13500-14900	136	99-110	40°C	25°C
	XL	17900-19700	204	88-97	25°C	N/A

Lumens vary according to color temperatures and other factors. See specific photometric test(s).

PHOTOMETRIC DATA

LUMINAIRE DATA

Luminaire	LXEP4-50ML-DFA-EU LXEP LED Enclosed and Gasketed, Industrial 6.75" x 51.5" LED with deep frosted acrylic lens and specular reflector
Ballast	D15CC55UNVTC
Ballast Factor	1.00
Lamp	LED
Fixture Lumens	5018
Watts	47.50
Mounting	Surface
Shielding Angle	0° = 90 90° = 90
Spacing Criterion	0° = 1.28 90° = 1.88
Luminous Opening in Feet	Length: 4.17 Width: 0.50 Height: 0.29

ZONAL LUMEN SUMMARY

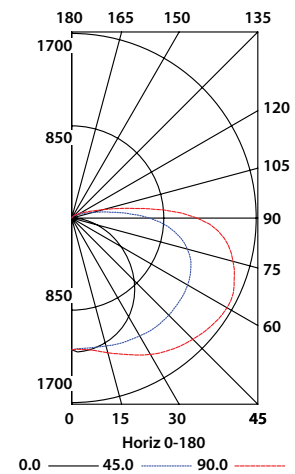
Zone	Lumens	% Lamp	% Fixt.
0-30	673	13.4	13.4
0-40	1181	23.5	23.5
0-60	2484	49.5	49.5
0-90	4451	88.7	88.7
0-180	5018	100.0	100.0

ENERGY DATA

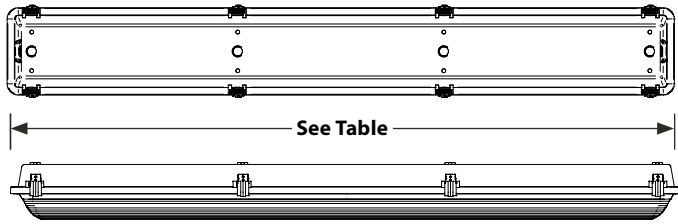
Total Luminaire Efficiency	100%
Total Lumens per Watt	106
ANSI/IESNA RP-1-2004 Compliance	Noncompliant
Comparative Yearly Lighting Energy Cost per 1000 Lumens	\$2.29 based on 3000 hrs. and \$0.08 per KWH

Test 14.00163 Test Date 8/23/14

INDOOR CANDELA PLOT

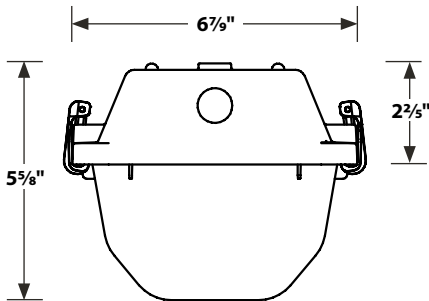


DIMENSIONAL DATA

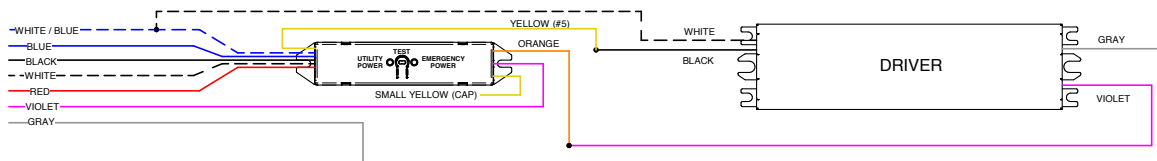


LXEP DIMENSIONS	
NOMINAL SIZE	LENGTH
2'	27 2/3"
4'	51 2/3"
8'	100"

NOTE: All dimensions are in inches; dimensions and specifications are subject to change without notice. Please consult factory or check sample for verification.



DTS WIRING DIAGRAM (0-10V DIMMING DRIVER SHOWN)



WHITE/BLUE	Emergency Neutral
BLUE	Emergency Line
BLACK	Utility Line (Unswitched Hot)
WHITE	Utility Neutral
RED	Switched Hot
VIOLET	Dimming
GRAY	Dimming