

MAGNULITER® MV SERIES

Cat.#

Job

Type



HUBBELL
Outdoor Lighting

Approvals

APPLICATIONS

- General purpose floodlighting

SPECIFICATIONS

- Die cast aluminum housing with low 2.3 EPA.
- Die cast aluminum door with bottom hinge and twin Hubbell Gard® screw closures
- Tempered glass lens seals with silicone gaskets to frame and housing. Door pre-drilled for accessories
- Steel yoke with three hole mounting pattern (MVM) or 2³/₈" O.D. cast aluminum slipfitter (MVK). MVK has knuckle wiring chamber for splice or button photocontrol installation
- Wide, uniform beam (7 X 6 typical) from twin parabolic batwing reflectors. Socket is base down, mogul base

- Galvanized steel Powr-Panl® ballast tray is retained by 4 screws for easy mounting. All ballastry is HPF and is available in Quad-Tap®, Tri-Tap® and 480 volt. For 50Hz consult factory

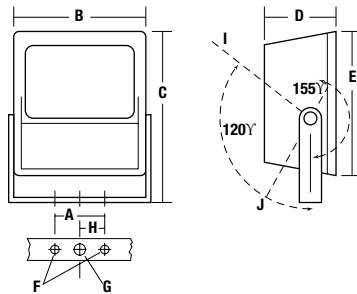
- Available in bronze, black, and gray powder paint finishes

LISTINGS

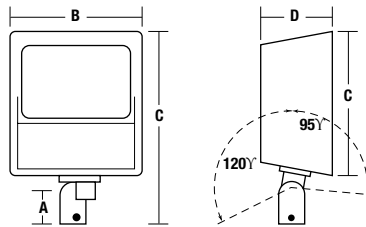
- Listed to UL1598 for use in wet locations



MVM



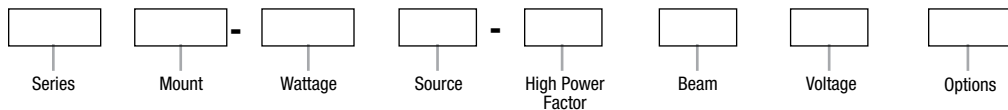
MVK



	A	B	C	D	E	F	G	H	I	J
MVM	3 ¹ / ₈ "	16 ³ / ₈ "	25 ¹ / ₂ "	9"	17 ⁷ / ₈ "	17 ¹ / ₃₇ "	7 ⁷ / ₈ "	19 ¹ / ₁₆ "	12" R	8 ⁵ / ₈ " R
	79 mm	416 mm	511 mm	229 mm	454 mm	13 mm	22 mm	40 mm	305 mm	219 mm
MVK	5 ¹ / ₂ "	16 ³ / ₈ "	25 ¹ / ₂ "	9"	17 ⁷ / ₈ "					
	140 mm	416 mm	648 mm	229 mm	454 mm					

ORDERING INFORMATION

ORDERING EXAMPLE: MVM-0400P-268F(120)



MV SERIES — Vertical lamp position. Features wide, uniform beam distribution. All MVM include 3 ft. of 16/3 S.O. cord. (Coverage is four times set back distance)

Catalog Number MVM ³ Trunnion Mount	Catalog Number MVK ^{1,3} Slipfitter Mount	Photometry NEMA/IES H° x V°	Wattage	Weight lbs. (kg)	EPA ft ² m ²
Pulse Start Metal Halide					
	MVK-1000P-268¹	6(130°) x 6(114°)	1000	48 (22.0)	2.3 .22

1 BT-37 shape lamp not included, add - L for lamp

NOTE: Lamps are not included; All ballasts are HPF and Quad-Tap® 120/208/240/277V; For 480V, change last digit 8 to 5; For Tri-Tap® 120/277/347V, change last digit 8 to 6; For 220/240V, 50 Hz, consult factory; Order mounting accessories separately

Luminaire should not be pointed directly up. Please tilt at a 15° angle to prevent water intrusion

REPLACEMENT PART

Catalog Number	Description
800-2918-0115	Lens door assembly, bronze



Hubbell Outdoor Lighting • 701 Millennium Boulevard • Greenville, SC 29607 • Phone: 864-678-1000

Due to our continued efforts to improve our products, product specifications are subject to change without notice.

© 2018 HUBBELL OUTDOOR LIGHTING. All Rights Reserved • For more information visit our website: www.hubbelloutdoor.com • Printed in USA MVM-SPEC OCTOBER 1, 2018 8:07 AM

ORDERING INFORMATION

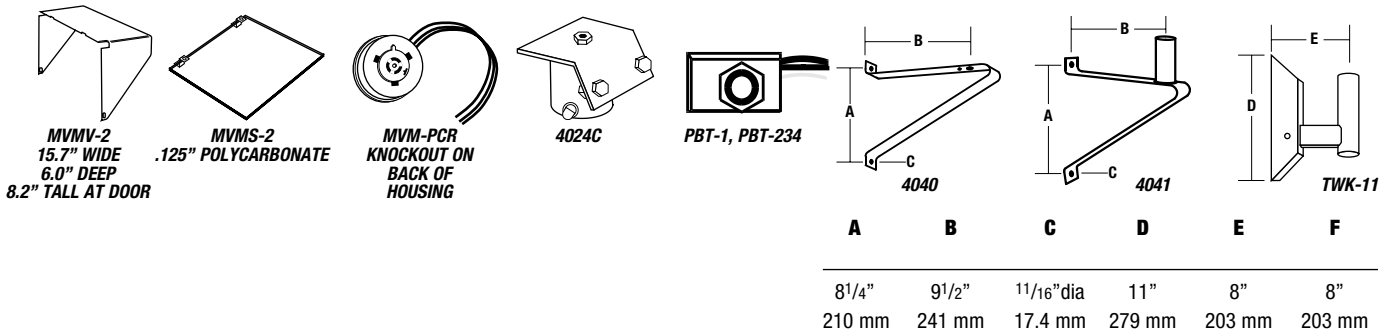
OPTIONS - Add Suffix

Catalog Number	Description
-F(X)	Single fuse for 120/277/347V; Double fuse for 208/240/480V; (specify voltage, e.g. "F(240)")
-PCR(X)	Twist-Lock™ photocontrol receptacle, specify voltage (e.g. "PCR(120)") when ordering with Quad-Tap or Tri-Tap (PTL photocontrol or WIH-OM ordered separately)
-C(X ₁)(X ₂)	16/3 pre-wired S.O. Cord - replace X ₁ with cord length desired: 3 - 3ft.; 6 - 6ft.; 12 - 12ft.; specify voltage by replacing X ₂ (e.g. "C6(120)"); not available in knuckle style mounting
-M53	Gray Lektrocote® finish
-M50	Black Lektrocote® finish

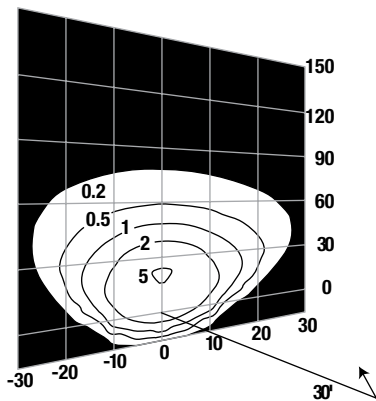
ACCESSORIES - Order Separately

Catalog Number	Description
MVM-V2 ¹	Top visor
MVM-S2 ^{1,2}	Polycarbonate shield
MVM-PCR	Photocontrol receptacle (120-480V) less photocontrol
4024C	Steel slipfitter for MVM, mounts over 2 3/8" OD tenons
PBT-1	Button photocontrol 120 volt (knockout on back & door)
PBT-234	Button photocontrol 208, 240, 277 volt
4040	Steel angle bracket for MVM, bronze finish
4041	Steel angle bracket with 2 3/8" OD tenon for MVK, bronze finish
TWK-11	Steel wall bracket with 2 3/8" tenon, bronze finish (use with MVK/MHK)

¹ Visor and polycarbonate shield may be used together; Visors are finished in bronze Lektrocote®
² For use with 400w and below



PHOTOMETRICS For additional photometric information and IES downloads, visit our web site at www.hubbell-ltg.com



MAGNULITER MVM
MVM-0400H-X6X

PHOTOMETRIC REPORTS

Catalog Number	Report #
MVX-0400S-X6X	HP00740.IES
MVX-1000H-26X	HP03883S.IES

Due to our continued efforts to improve our products, product specifications are subject to change without notice.