

## CPI™ OPGW Bolted Dead Ends

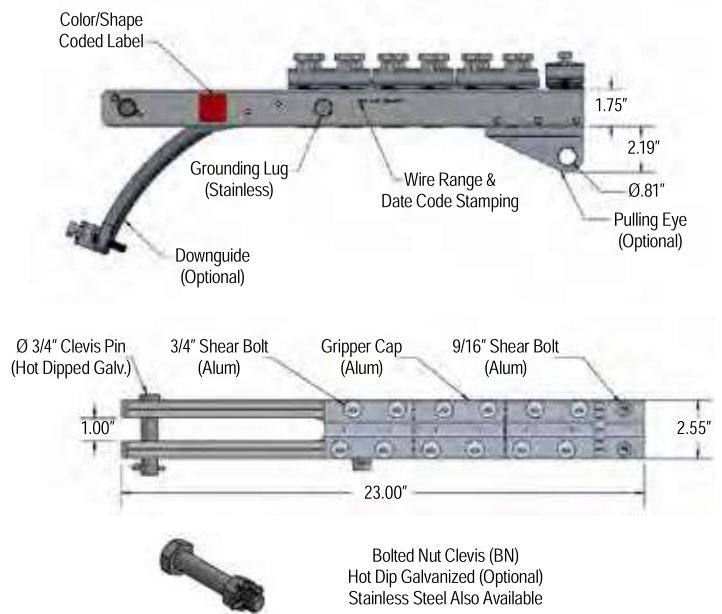
Accommodates .354" - .750"

CPI Optical Grounding Wire Spans (OPGW) Bolted Dead Ends are designed as a full tension termination. The patented Left and Right Hand gripper design allows the dead end to hold 95% of the cable's RBS (Rated Breaking Strength). Break-Away shear head bolts are used to ensure the proper gripping force is applied to the cable without attenuating the fibers and optical performance.

Please provide cable specification sheet when ordering.

### Features and Benefits

- Rubber grommets suppress Aeolian vibration fatigue at the cable exit point
- Compact length allows for complete installation from the structure
- Shear Head bolts ensure proper torquing necessary to achieve maximum holding strength without damaging the fibers
- Optional Cable Down Guide helps to train the cable down or around the structure without exceeding the minimum bend radius of the cable
- Shorter and easier to install than formed wire dead ends allowing installation directly from the tower
- Standard drilled and tapped grounding lug attachment point eliminates the need for additional bonding accessories
- Unique cable gripper insert system greatly reduces manufacturing lead times - most sizes are typically available in stock directly from the factory
- Design Criteria:
  - Sustained load, 95% of cable RBS
  - Ultimate Mechanical Strength 35,000 lbs
  - Cable Diameter Range .350" - .750"
- Dead ends for larger cable may be available, please contact the factory



Catalog Number	Dia. Range (mm)		Dia. Range (in)		Label (per wire size)	
	Min	Max	Min	Max	Color	Shape
OBDE8.98-9.75	8.98	9.75	0.354	0.384	White	Circle
OBDE9.75-10.7	9.75	10.7	0.384	0.422	Teal	S
OBDE10.7-11.5	10.7	11.5	0.422	0.453	Light Green	Heart
OBDE11.5-12.7	11.5	12.7	0.453	0.500	Dark Green	Triangle
OBDE12.7-13.7	12.7	13.7	0.500	0.540	Yellow	X
OBDE13.7-14.3	13.7	14.3	0.540	0.563	Black	#
OBDE14.3-14.8	14.3	14.8	0.563	0.583	Red	Square
OBDE14.8-15.5	14.8	15.5	0.583	0.611	Dark Blue	D
OBDE15.5-16.2	15.5	16.2	0.611	0.638	Orange	A
OBDE16.2-17.0	16.2	17.0	0.638	0.670	Brown	M
OBDE17.0-17.9	17.0	17.9	0.670	0.705	Pink	Star
OBDE17.9-19.0	17.9	19.0	0.705	0.750	Grey	P

#### Available options:

- Add suffix "DG" for the Downguide Option
- Add suffix "BN" for the Bolt Nut Clevis Option
- Add suffix "PE" for Pulling Eye Option

## CPI™ XL OPGW Bolted Dead Ends

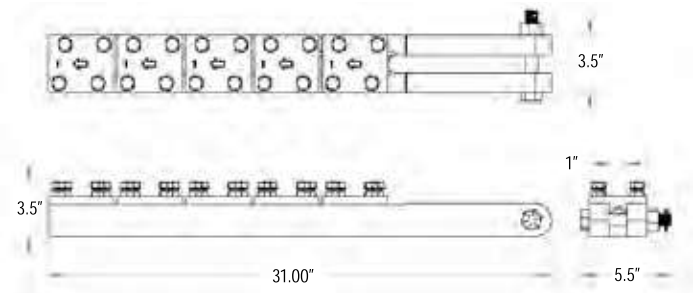
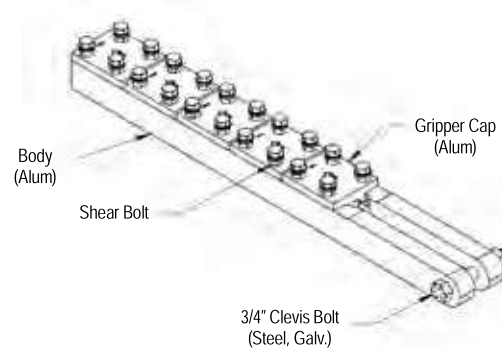
Accommodates .583" - .871"

CPI Extra Large (XL) Optical Grounding Wire Spans (OPGW) Bolted Dead Ends are designed as a full tension termination. The patented Left and Right Hand gripper design allows the dead end to hold 95% of the cable's RBS (Rated Breaking Strength). Break-Away shear head bolts are used to ensure the proper gripping force is applied to the cable without attenuating the fibers and optical performance.

**Please provide cable specification sheet when ordering.**

### Features and Benefits

- Compact length allows for complete installation from the structure
- Shear Head bolts ensure proper torquing necessary to achieve maximum holding strength without damaging the fibers
- Shorter and easier to install than formed wire dead ends allowing installation directly from the tower
- Design Criteria:
  - Sustained load, 95% of cable RBS
  - Ultimate Mechanical Strength 60,000 lbs
  - Cable Diameter Range .625" - 1.125" overall diameter
- Must be used in conjunction with the CPI Grounding Jumpers
- All OBDE-XL Bolted Dead Ends are supplied with a clevis bolt, hex nut, and cotter pin



Catalog Number	Dia. Range (mm)		Dia. Range (in)	
	Min	Max	Min	Max
OBDE-XL-14.8-15.5	14.8	15.5	0.583	0.611
OBDE-XL-15.5-16.2	15.5	16.2	0.611	0.638
OBDE-XL-16.2-17.0	16.2	17.0	0.638	0.670
OBDE-XL-17.0-17.9	17.0	17.9	0.670	0.705
OBDE-XL-17.9-19.0	17.9	19.0	0.705	0.749
OBDE-XL-19.0-21.1	19.0	21.1	0.749	0.831
OBDE-XL-21.1-22.1	21.1	22.1	0.831	0.871