

# PIERWALK SERIES PIE20

20" SMALL PIERWALK LUMINAIRE

## FEATURES

- Offered in four different styles
- Silicone foam gasket ensures weather-proof seal around each individual LED



## RELATED PRODUCTS

- [Metropolis](#)   [Urban](#)

## SPECIFICATIONS

### CONSTRUCTION

- Cast aluminum parts have a low copper alloy A356. Extruded aluminum parts have alloy 6061-T6, 6063-T5 or equal
- The upper chamber/lid is topped by a decorative cast aluminum finial/cap and mechanically fastened to the optical chamber
- The cast multi-sided cage accommodates UV stabilized acrylic or polycarbonate lenses (side panels) which are sealed for weather tight operation
- The electrical chamber/fitter has an aluminum, decorative fitter designed to accommodate the assembly and mounts to 3 OD x 3" H tenon and secured by three stainless steel set screws
- All fasteners are corrosion resistant. When tamper resistant fasteners are required, spanner HD (snake eye) style is provided (special tool required, available at additional cost)
- Silicone foam gasket ensures a weather-proof seal around each individual LED and allows the luminaire to be rated for high-pressure hose down applications
- Finish is a Beacote V polyester powdercoat electrostatically applied and thermocured. Beacote V finish consists of a five stage iron phosphate chemical pretreatment regimen with a polymer primer sealer, oven dry off, and top coated with a thermoset super TGIC polyester powder coat finish
- The finish meets the AAMA 605.2 performance specification which includes passing a 3000 hour salt spray test for corrosion resistance, resists cracking or loss of adhesion per ASTM D522 and resists surface impacts of up to 160 inch-pound

### ELECTRICAL

- Each luminaire is supplied with an optical one piece cartridge system consisting of an LED engine, LED lamps, optics, gasket and stainless steel bezel
- Minimum CRI of 67 at 5000K
- The cartridge is held together with internal brass standoffs soldered to the board so that it can be field replaced as a one piece optical system

### ELECTRICAL (CONTINUED)

- The optical cartridge is secured to the extruded housing with fasteners to ensure thermal conductivity. The optics are held in place without the use of adhesives and the complete assembly is gasketed for high pressure hose down cleaning
- The cartridge assembly is available in various lighting distributions using a specially designed acrylic optical lens over each LED
- Able to operate normally in ambient temperatures from -40°C to 40°C
- The on-board surge protector is a UL recognized component for the United States and Canada and has a surge current rating of 20,000 Amps using the industry standard 8/20 pSec wave. The LSP has a clamping voltage of 825V and surge rating of 540J. The case is a high-temperature, flame resistant plastic enclosure
- Luminaires are equipped with LED driver(s) that accept 90 through 305 VAC, 50 Hz to 60 Hz (UNIV). Power factor is .92 at full load. All driver components supplied are component-to-component wiring within the luminaire will carry no more than 80% of rated current and is listed by UL for use at 600VAC at 50°C or higher. Plug disconnects are listed by UL for use at 600 VAC, 15A or higher

### CONTROLS

- Thermal circuit consists of surface mounted components mounted on the LED engine (printed circuit board). For maximum simplicity and reliability, the device has no dedicated enclosure, circuit board, wiring harness, gaskets, or hardware. Device has no moving parts, and operates entirely at low voltage (NEC Class 2). The device is located in an area of the luminaire that is protected from the elements
- Thermal circuit is designed to "fail on", allowing the luminaire to revert to full power in the event of an interruption of its power supply, or faulty wiring connection to the drivers

### CONTROLS (CONTINUED)

- Device co-exists with other 0–10V control devices (occupancy sensors, external dimmers, etc.). The device will effectively control the solder point temperature as needed; otherwise it will allow the other control device(s) to function unimpeded
- LifeShield™ Circuit protects the luminaire from excessive temperature by interfacing with its 0–10V dimmable drivers to reduce drive current as necessary. The factory-preset temperature limits are designed to ensure maximum hours of operation to assure L70 rated lumen maintenance. The device activates at a specific, factory-preset temperature, and progressively reduces power over a finite temperature range in recognition of the effect of reduced current on the internal temperature and longevity of the LEDs and other components. A luminaire equipped with the device is reliably operated in any ambient temperature up to 55°C (131°F). The thermal circuit allows a higher maximum wattages than would be permissible on an unregulated luminaire (if some variation in light output is permissible), without risk of premature LED failure. Operation is smooth and undetectable to the eye. Thermal circuit directly measures the temperature at the LED solder point
- Device co-exists with other 0–10V control devices (occupancy sensors, external dimmers, etc.). The device will effectively control the solder point temperature as needed; otherwise it will allow the other control device(s) to function unimpeded

### CERTIFICATIONS

- UL1310, Class2 and UL48 compliant
- NRTL label suitable for wet locations

### WARRANTY

- 5 year warranty
- See [HLI Standard Warranty](#) for additional information

# PIERWALK SERIES PIE20

20" SMALL PIERWALK LUMINAIRE

## ORDERING GUIDE

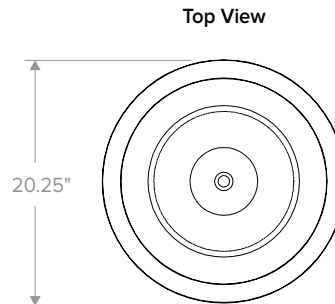
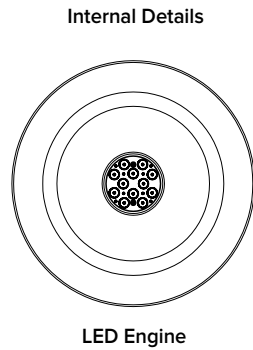
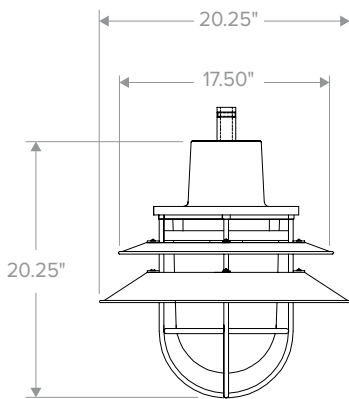
**Example:** PIE20-P-C-12L-27-3K7-UNV-2-PEC-PM-SS-BMT

CATALOG # \_\_\_\_\_

|                           |                        |                                    |  |  |   |  |                              |
|---------------------------|------------------------|------------------------------------|--|--|---|--|------------------------------|
| <b>PIE20</b>              | <b>P</b>               |                                    |  |  |   |  | <b>PEC</b>                   |
| <b>Series</b>             | <b>Lens Material</b>   | <b>Lens Finish</b>                 | <b>Engine Watts</b>  | <b>CCT/CRI</b>   | <b>Voltage</b>  | <b>Optics</b>  | <b>Electrical Options</b>    |
| <b>PIE20</b> 20" Pierwalk | <b>P</b> Polycarbonate | <b>C</b> Clear<br><b>F</b> Frosted | <b>12L-27</b> 27 Watts - LED array<br><b>12L-36</b> 36 Watts - LED array | <b>3K7</b> 3000K, 70 CRI<br><b>4K7</b> 4000K, 70 CRI<br><b>5K7</b> 5000K, 70 CRI | <b>UNV</b> 120-277V<br><b>347</b> 347V<br><b>480</b> 480V | <b>2</b> Type 2<br><b>3</b> Type 3<br><b>4</b> Type 4<br><b>5</b> Type 5 | <b>PEC</b> Photocell, button |

|                         |  |   |
|-------------------------|--|---|
| <b>PM</b>               |  |   |
| <b>Mount Options</b>    | <b>Style Options</b>   | <b>Color</b>  |
| <b>PM</b> Pendant mount | <b>UQS</b> Unequal shade<br><b>EQS</b> Equal shade<br><b>SS</b> Single Shade<br><b>UQD</b> Unequal discs | <b>BLT</b> Black Matte Textured<br><b>BLS</b> Black Gloss Smooth<br><b>DBT</b> Dark Bronze Matte Textured<br><b>DBS</b> Dark Bronze Gloss Smooth<br><b>GTT</b> Graphite Matte Textured<br><b>LGS</b> Light Grey Gloss Smooth<br><b>PSS</b> Platinum Silver Smooth<br><b>WHT</b> White Matte Textured<br><b>WHS</b> White Gloss Smooth<br><b>VGT</b> Verde Green Textured<br><b>Color Option</b><br><b>CC</b> Custom Color |

## DIMENSIONS



# PIERWALK SERIES PIE20

20" SMALL PIERWALK LUMINAIRE

DATE: \_\_\_\_\_ LOCATION: \_\_\_\_\_

TYPE: \_\_\_\_\_ PROJECT: \_\_\_\_\_

CATALOG #: \_\_\_\_\_

## ADDITIONAL INFORMATION

### STYLE OPTIONS

