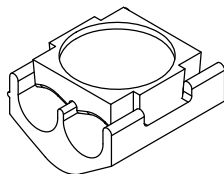
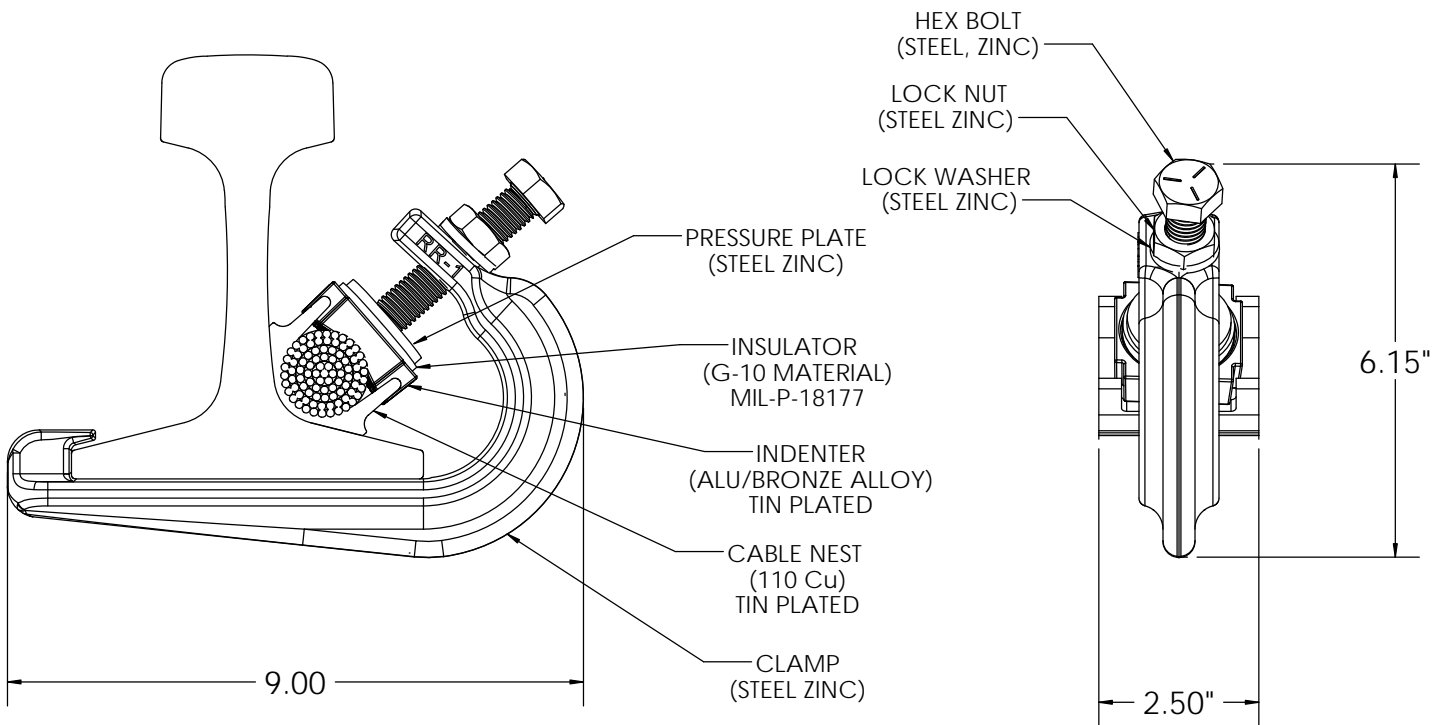
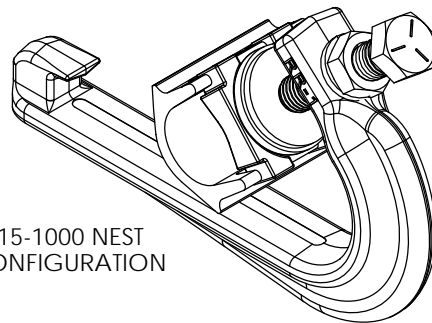


RUNNING RAIL CONNECTORS



115-2-500 NEST CONFIGURATION



115-1000 NEST CONFIGURATION

Single Conductor Connectors		
Rail Size & Type	Conductor Size & Range	Catalog #
115 lb AREA	1000MCM - 1250MCM	115-1000
Two Conductor Connections		
115 lb AREA	2 250MCM - 2 500MCM	115-2-500

FOR ANY RAIL OR CONDUCTOR COMBINATION NOT LISTED ABOVE CONSULT FACTORY.

STANDARD PACKAGE: Full Carton: 8 Units: 11" x 11" x 7" Box: 52 Lbs.