



DATE: _____ LOCATION: _____

TYPE: _____ PROJECT: _____

CATALOG #: _____

HCX Series

SIDE-MOUNT DESIGNER COMBINATION LED UNIT

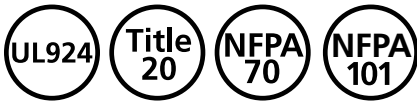
STANDARD FEATURES

- External push-to-test switch and AC-ON indicator
- Exit Sign Letters: 6" height, ¾" stroke
- Snap-in directional chevrons in Exit Sign
- Low voltage disconnect
- Transformer isolation
- AC lockout
- Temperature compensated charger circuitry
- LED MR16 lamps rated at 50,000 hour life expectancy
- Battery recharge time within UL specifications



RELATED PRODUCTS

[OCR - Matching Remote Head](#)



SPECIFICATIONS

APPLICATION

- The HCX Series provides bright, even LED Exit illumination in an attractive housing, designed for quick and easy installation
- Available with fully adjustable MR16 LED lamps and remote capacity option
- LED Remote capacity units provide 17 watts for remote capacity

CONSTRUCTION

- Precision-molded thermoplastic housing
- Lamp-heads are impact and scratch resistant, corrosion proof and UV stabilized material to resist discoloration
- Available in white with a light texture. Innovative snap-together design optimizes installation time
- Includes additional face-plate for single or double-face application
- Snap-in directional chevrons
- Includes canopy and universal mounting plate for end, ceiling or wall mounting
- Red or green polystyrene .030" diffuser is frequency matched to the LEDs providing optimum exit sign illumination

INSTALLATION

- Sign mounts to 3-½", 4" octagon, or square outlet boxes and standard plaster rings
- Backplate provides a knock-out pattern for mounting to outlet box
- Mounting canopy provided with all models. Canopy mounts to outlet boxes by means of a mounting plate supplied
- Exit housing snaps to canopy
- Pre-stripped pigtail leads provided. Push-in wire connectors supplied for making AC connections
- All wiring dresses into formed wire-ways in housing

ILLUMINATION

- Four long-life LEDs provide exit illumination
- Exceeds the 2009 UL 924 requirements for brightness and uniformity
- Unit illumination by high-performance LED based MR16 lamps

COMPLIANCES

- UL 924 Listed
- NFPA 70
- NFPA 101
- CEC T20 Compliant

WARRANTY

- 5 year warranty
- See [HLI Standard Warranty](#) for additional information

HCX Series

SIDE-MOUNT DESIGNER COMBINATION LED UNIT

DATE: _____ LOCATION: _____
 TYPE: _____ PROJECT: _____
 CATALOG #: _____

ORDERING GUIDE

Example: HCXURW-03L

CATALOG # _____

HCX		U				
Model	Faces	Letter Color	Finish		Lamps	Options
HCX	Side Mount Designer Exit/ Emergency Light	U Universal Single/ Double Face	R Red G Green	W White Housing	03L 3W LED Lamps	RC12 17W Remote Capacity (Includes lighting heads)

ADDITIONAL PRODUCT INFORMATION

OPERATING TEMPERATURE RANGE:

Standard models: 20°C to 30°C (68°F to 86°F)

AC Input Voltage

120VAC or 277VAC: 60 Hz operation standard

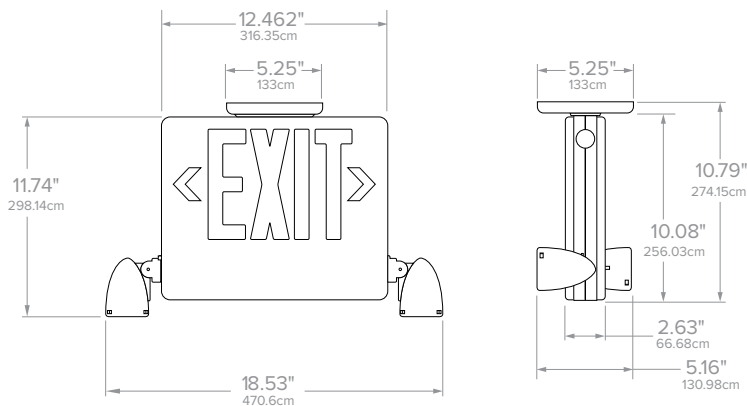
POWER CONSUMPTION:

4.5 watts at 120 or 277 VAC (all models)

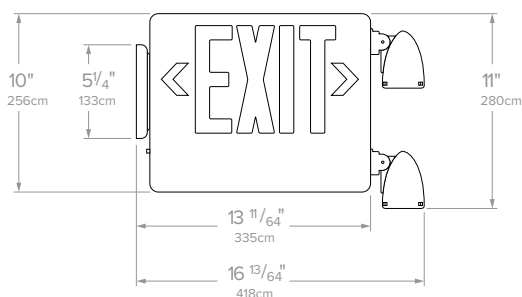
Standard Models	Output Voltage	Battery	Lamp	Unit Capacity	Runtime	Extended Runtime	Remote Watts	Number of Remotes
HCXURW-03L	6VDC	Lead-Calcium	3W LED	10 watts	90 min.	Yes	--	--
HCXUGW-03L								
HCXURW-03LRC12	6VDC	Lead-Calcium	3W LED	23 watts	90 min.	Yes	17	5
HCXURW-03LRC12								

DIMENSIONS

(Ceiling or Back Mount)

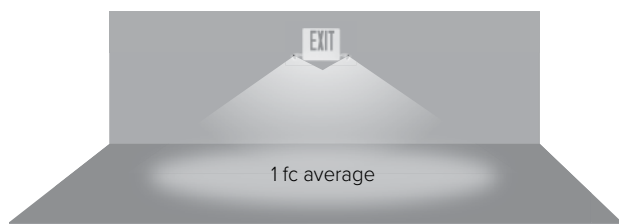


(End Mount)



APPLICATION DATA

Coverage for optional 3W LED MR16 lamp



Meets Life Safety Code minimum illuminance of 0.1 fc and average illuminance of 1.0 fc. Assumes open space with no obstructions, mounting height of 7.5', ceiling height of 9' and reflectances of 80/50/20. Photometry files available on the Dual-Lite web site (www.dual-lite.com).