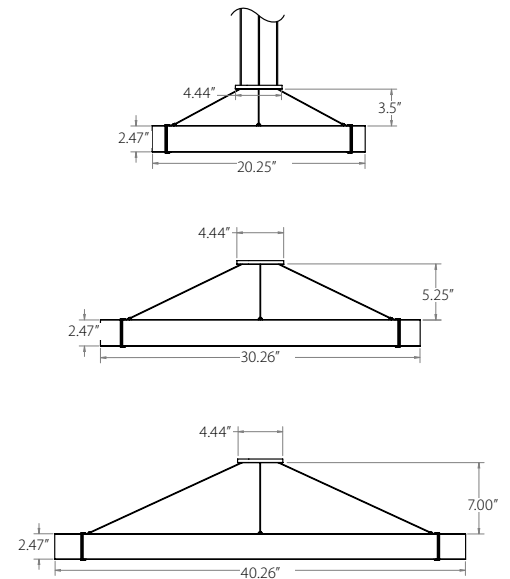
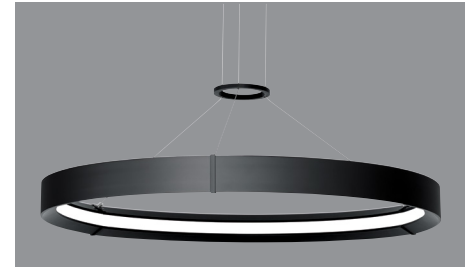


Fixture Type:

Project Name:

Ordering Guide

Feature	Code	Options	Description
Series		32L	Inde-Pendant
Configurations		R20 R30 R40	20" Diameter Ring 30" Diameter Ring 40" Diameter Ring
Mounting		P	Pendant
Primary Finish		C1 C4 C5 CC	Matte White (Default) Machined Aluminum Carbon Black Custom Color
Accent Finish		/AC1 /AC4 /AC5 /ACC	Matte Finish (Default) Machined Aluminum Carbon Black Custom Color
Color temperature		30K 35K 40K	3000K 3500K 4000K
Ring Output (specifiable in 50 lumens increments)		R035 R230	350 2300
Driver		NDM D01 LEC LTW DALI	Non Dimming 1% Dimming, 0-10V Hi-lume 1% EcoSystem LED driver Hi-lume 1% 2-wire LED driver(120V forward phase only) DALI
Circuiting		1C	1 Circuit
Voltage		UNV 120 347	Universal Voltage (120-277) 120 Volt* 347 Volt** *LTW only ** Excludes D01, DALI and Lutron Dimming Options
Ceiling Type		GDW PT OC	Grid or Drywall (Default) Plaster Trim Open Ceiling
Suspension kit		FA5 FA6 FA7	Suspension Kit, 48" (Default) Suspension Kit, 120" Suspension Kit, 240"
Canopy Color		/C1 /C4 /C5 /CC	Matte White (Default) Machined Aluminum Carbon Black Custom Color
Optional Features	Code	Options	Description
Chicago Environmental Air Modification		CCEA	Chicago Environmental Air Modification



Key Features

- Variable Intensity technology provides specifiable lumen output/wattage
- 2.5 SDCM color variation
- Remote-mounted driver assembly
- Customizable finish variations

Details

Construction:

Driver enclosure (GDW & PT)- Die formed steel. Canopy assembly contains die cast aluminum housing with steel canopy fascia plate that secures to housing using neodymium magnets. Canopy contains nylon bushings as power over aircraft isolation.

6" Ceiling depth required for driver installation.

Ring-Roll formed extruded aluminum joined by die cast aluminum brackets containing nylon bushings as power over aircraft isolation.

Ring collar- Die cast aluminum with injection molded plastic insert for cable insulation.

Diffuser:

Flexible acrylic holographic film (ships installed).

Finish/Color:

Visit www.litecontrol.com/finishes for details.

CCT:

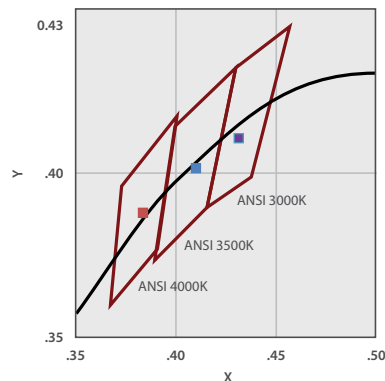
30K-3000K output multiplier (0.97)

35K-3500K output multiplier (1.00)

40K-4000K output multiplier (1.02)

*All photometric files below based off 3500K. Any deviation from this color temperature is subject to have lumen output altered by multiplier shown.

Ex. 2000 lm x .97=1940 lm in 3000K



Color Variation:

2.5 step MacAdam ellipse

Driver Lumen Output Range:

Ring

D01 or NDM: R035-R230

LHI or LEC: R050-R230

DALI: R035-R230

LTW: R050-R230

347V: R065-R230

Output (VI technology):

Variable Intensity (VI) technology allows precise specification of fixture output/wattage. Fixture will be programmed and labeled to specification.

Specify each in 50 lumen increments within the below range:

	Lumens	Nomenclature
Ring		
Min:	350	R035
Max:	2300	R230

Driver:

NDM: Non-dimming. Fixture will be wired for fixed light output.

D01: 100%-1% dimming range. Fixture will be wired for low voltage 0-10V dimming control.

DS1: Soft-Start 100%-1% dimming range. Fixture will be wired for low voltage 0-10V dimming control.

D00: Dim-to-off 100%-1% Dimming range. Fixture will be wired for low voltage 0-10V dimming

DS0: Soft-Start Dim-to-off 100%-1% dimming range. Fixture will be wired for low voltage 0-10V dimming control.

LEC: Hi-Lume 1% EcoSystem LED Driver with Soft-on, Fade-to-Black dimming technology

LTW: Lutron Hi-Lume 2-wire dimming using Lutron A-Series driver

DALI: DALI compatible

*See driver limitations in Driver lumen output ranges section below.

Field Accessibility:

LED drivers and light engines can be accessed and removed from below ceiling. Contact factory for details.

Rated Life (LED Board):

Tested in accordance to LM79-2008 & derived from EPA TM-21 calculator L70:> 54,000 hours (reported per TM21/LM80 6x limitation)

Rated Life (Driver):

100,000 hours

Fixture Weight:

7 lbs.

Ratings:

CSA listed for damp locations. IBEW. AF of L.

Warranty:

LED boards- 5 years

LED drivers (standard)- 5 years

LED drivers (Lutron)- 3 years

Circuiting:

1C (1 Circuit) Fixture wired for a single circuit.

Suspension Kit:

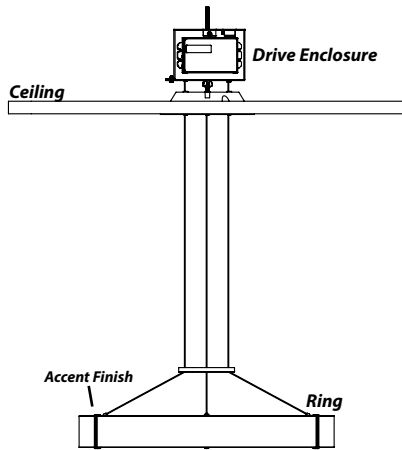
Class 2 power over aircraft cable, 1/16" diameter field-adjustable. Ship separately installed with driver enclosed.

Details (continued)

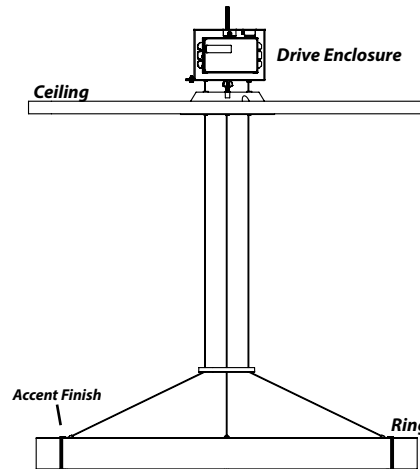
Planning for Installation:

Minimum distance of 12" between ceiling plane and ring collar to ensure access into driver enclosure.

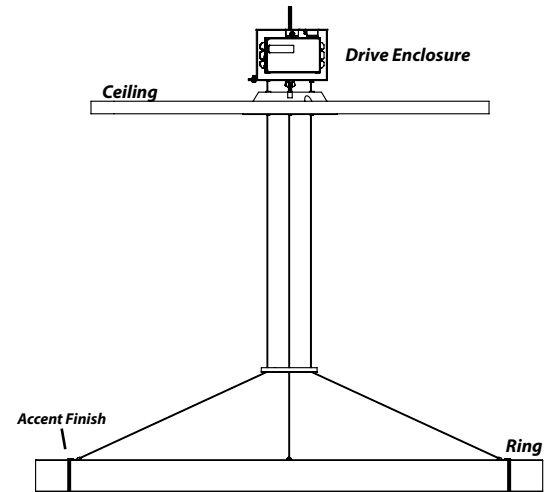
*For complete details, reference Installation Instructions at Litecontrol.com.



20" Ring



30" Ring



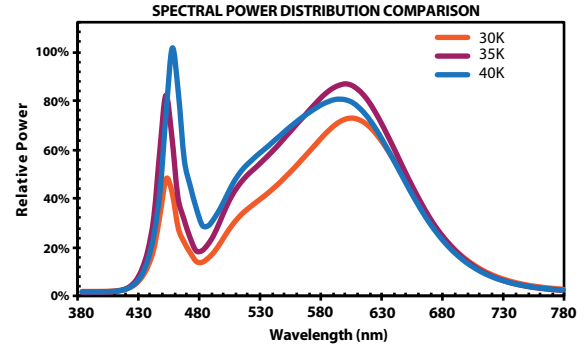
40" Ring

Details (continued)

Color Characteristics:

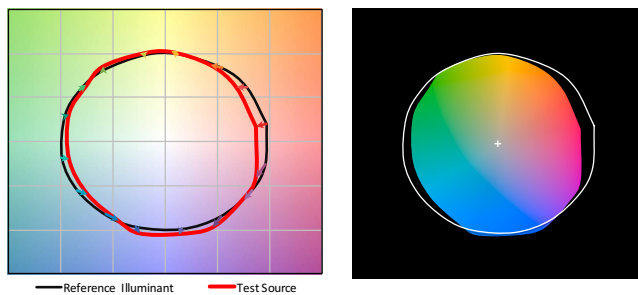
Value	30K	35K	40K
Rf	83	82	82
Rg	97	97	94
CCT (K)	3101	3508	4086
Duv	0.0001	-0.0001	0.0015
x	0.4300	0.4048	0.3777
y	0.4018	0.3902	0.3781
CIE Ra	83	83	84

Spectral Distribution:

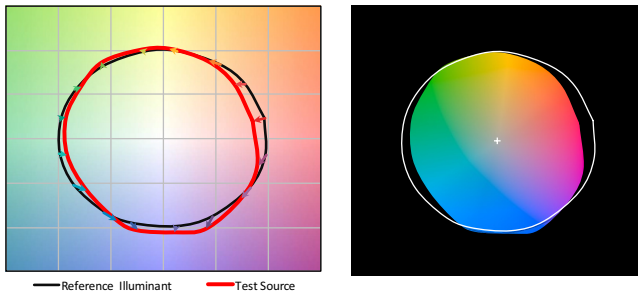


Color Vector Graphic:

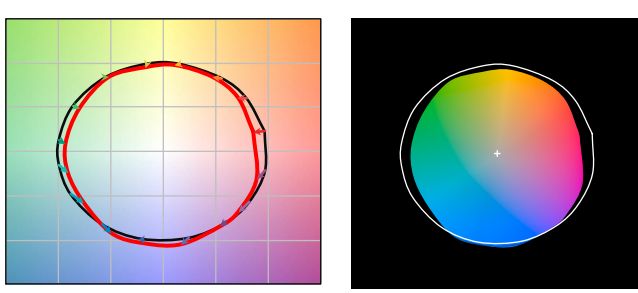
30K:



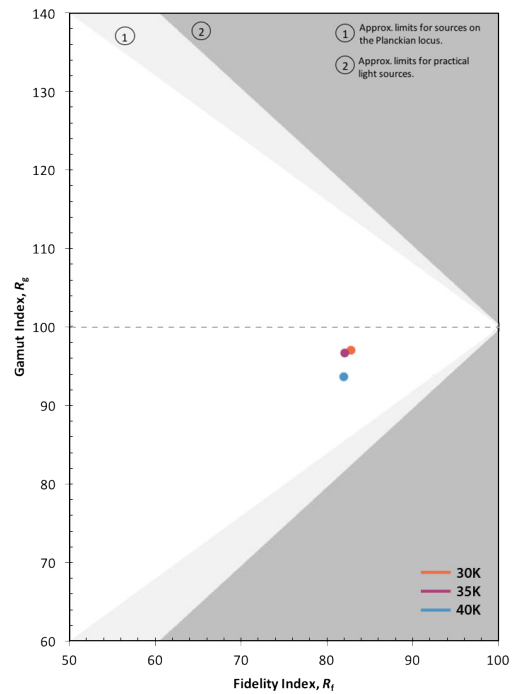
35K:



40K:



Color Gamut/Fidelity Plot:



CRI:

80 minimum

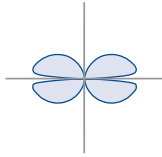
CCT	CRI	R1	R2	R3	R4	R5	R6	R7	R8	R9	R10	R11	R12	R13	R14
30K	83	81	90	96	82	81	87	85	63	14	76	80	67	83	98
35K	83	81	89	95	82	81	85	86	64	11	73	81	63	82	97
40K	84	83	91	96	82	82	87	87	67	18	78	80	59	85	98



Photometry

Fixture: 32L-R30-P-CX/CX-35K-R205
 CCT: 3500K
 Output: R205
 Nominal lumens: 2050 lumens
 Efficacy: 70 lm/W
 Test report: 32L-R30-P-CX/CX-35K-R205.IES

Zonal Lumens		
Zone	Lumens	Lamp %
0-40	127	6.2%
0-60	409	19.9%
0-90	1033	50.2%
90-180	1024	49.8%
0-180	2058	100.0%



Performance- Ring

Nomenclature	Lumens/unit	W/unit	Efficacy
R035	350	5.7	61
R040	400	6.4	63
R045	450	7.0	64
R050	500	7.7	65
R055	550	8.4	66
R060	600	9.0	67
R065	650	9.7	67
R070	700	10.3	68
R075	750	11.0	68
R080	800	11.6	69
R085	850	12.3	69
R090	90	13.0	69
R095	950	13.6	70
R100	1000	14.3	70
R105	1050	14.9	70
R110	1100	15.6	71
R115	1150	16.3	71
R120	1200	16.9	71
R125	1250	17.6	71
R130	1300	18.4	71
R135	1350	19.1	71
R140	1400	19.8	71
R145	1450	20.6	71
R150	1500	21.3	70
R155	1550	22.0	70
R160	1600	22.7	70
R165	1650	23.5	70
R170	1700	24.2	70
R175	1750	24.9	70
R180	1800	25.7	70
R185	1850	26.4	70
R190	1900	27.1	70
R195	1950	27.8	70
R200	2000	28.6	70
R205	2050	29.3	70
R210	2100	30.1	70
R215	2150	30.9	70
R220	2200	31.7	69
R225	2250	32.5	69
R230	2300	33.3	69

(wattage may vary up to 5% from published)