



**APPLICATIONS:**

Prescolite's AKTMDLED delivers 1500 Lumens and has a robust, power-efficient design, perfect for a wide variety of commercial and retail applications. It is a great addition to the AKTM Series while providing an attractive LED option for high lumen output with low power use. The Light Engine can be used in up to a 35°C (95° F) ambient temperature environment and still maintain a 5 year warranty. (Track applications must adhere to limits of the associated track systems).

**FIXTURE:**

Diecast aluminum fixture with electronic driver. Track adapter rotates 350° around a vertical axis and the trackhead is rotatable 350° for horizontal aiming. The Prescolite track connector has fixed solid copper contacts for one or two circuit connection without modification. Finish available in black (BL) or white (WH). Protected lens provided standard.

**DIMMING:**

Line Voltage dimming to 10% using many 2 wire forward and reverse phase dimming controls. (See page 3 for recommended dimmers).

**ACCESSORIES:**

Optional accessory holder available. Holds up to 2 media. Fits most standard MR16 media.

**LED LIGHT ENGINE:**

The AKTMDLED has a Cree X Lamp high-flux, multi-die array COB. It provides a minimum of 80 CRI with 2 SDCM color consistency. It is a versatile fixture with multiple Kelvin temperatures available as well as 90 CRI options and factory configurable optics. It is mounted on a specially designed heatsink to meet L85 at 57,000 hours per TM21.

**LED DRIVER:**

Energy efficient solid state constant current electronic driver with 50,000 hour minimum anticipated life. Meets UL class 2, with over-voltage, over-current, and short-circuit protection. 120V operation.

**INSTALLATION:**

Prescolite ArchiTrak® compatible. The AKTMDLED is not compatible with competitive track systems.

**LABELS:**

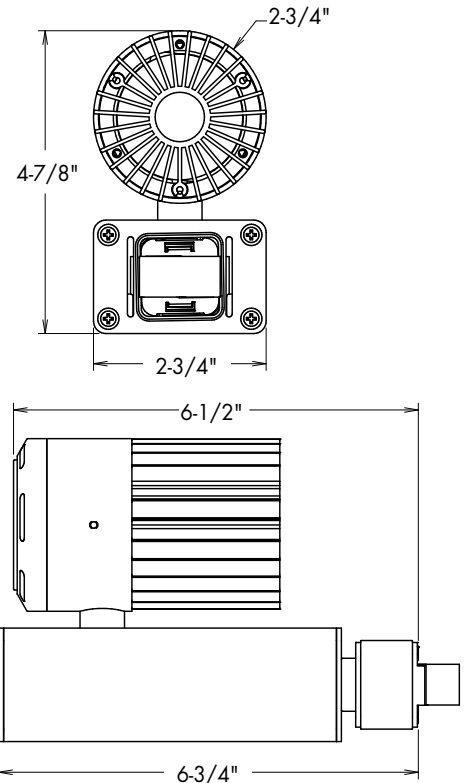
CSA certified to US and Canadian safety standards. Suitable for dry locations.

**WARRANTY:**

Five Year Limited Warranty. See [www.prescolite.com](http://www.prescolite.com) for details.

**ArchiTrak®**

For conversion to millimeters, multiply inches by 25.4  
Not to Scale



**CATALOG NUMBER:**

EXAMPLE: AKTMDLED15L35K8XFL55BL

Order track head and accessories separately

BASE						ACCESSORIES	
BASE	OUTPUT	COLOR	CRI	BEAM SPREAD	FINISH		
<input type="checkbox"/> <b>AKTMDLED</b> 2-3/4" LED Track Head	<input type="checkbox"/> <b>15L</b> 1500 Delivered Lumens	<input type="checkbox"/> <b>27K</b> 2700 Kelvin <input type="checkbox"/> <b>30K</b> 3000 Kelvin <input type="checkbox"/> <b>35K</b> 3500 Kelvin <input type="checkbox"/> <b>40K</b> 4000 Kelvin	<input type="checkbox"/> <b>8</b> 80+ CRI <input type="checkbox"/> <b>9</b> 90+ CRI	<input type="checkbox"/> <b>MD25</b> 25 Degree Cutoff <input type="checkbox"/> <b>FL35</b> 35 Degree Cutoff <input type="checkbox"/> <b>XFL55</b> 55 Degree Cutoff	<input type="checkbox"/> <b>BL</b> Black <input type="checkbox"/> <b>WH</b> White		
						<b>Holders<sup>2</sup></b>	<b>Color Filters<sup>1</sup></b>
						<input type="checkbox"/> <b>AKTMDABL</b> Accessory Holder, Black	<input type="checkbox"/> <b>AML16</b> Amber Filter
						<input type="checkbox"/> <b>AKTMDAWH</b> Accessory Holder, White	<input type="checkbox"/> <b>BLL16</b> Blue Filter
							<input type="checkbox"/> <b>GRL16</b> Green Filter
							<b>Louver/Lenses<sup>1</sup></b>
							<input type="checkbox"/> <b>AKTH16BL</b> Honeycomb Louver, Black
							<input type="checkbox"/> <b>SL16</b> Linear Spread Lens
							<input type="checkbox"/> <b>DL16</b> Prismatic Diffusion Lens

NOTES:  
<sup>1</sup>Accessory Holder required for all accessories  
<sup>2</sup>Accommodates up to 2 accessories



**DRIVER DATA**

DRIVER DATA	AKTMDLED15L
Input Voltage	120V
Input Frequency	50/60 Hz
Input Current	0.20A
Input Power	24W
Constant Current Output	550mA
Power Factor	≥0.90
THD	<20%
EMI Filtering	FCC 47CFR Part 15, Class B
Operating Temperature	-30°C to 35°C

Over-voltage, over-current, short-circuit protected

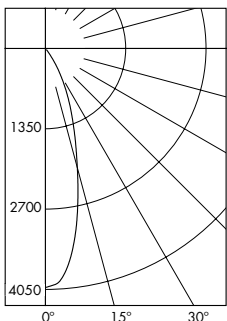
**Lumen Multiplier Table**

Photometrics are published below at a nominal 3000 Kelvin temperature, 80+ CRI. This table may be used to approximate the lumen values at different Kelvin/CRI. Power consumption would stay the same.

2700 Kelvin	80+ CRI	1.00
2700 Kelvin	90+ CRI	0.71
3000 Kelvin	80+ CRI	1.00
3000 Kelvin	90+ CRI	0.76
3500 Kelvin	80+ CRI	1.07
3500 Kelvin	90+ CRI	0.81
4000 Kelvin	80+ CRI	1.07
4000 Kelvin	90+ CRI	0.81

**AKTMDLED15L30K8MD25BL**

System Wattage: 22.8 W  
 Fixture delivered lumens: 1492  
 Fixture Efficacy: 65.4 lumens per Watt  
 Spacing Criteria: 0.5



**CANDLEPOWER SUMMARY**

Angle	Candela	Lumens
0	4018	
5	3781	336
15	2074	579
25	885	406
35	194	133
45	19	17
55	11	10
65	8	8
75	3	3
85	0	0
90	0	0

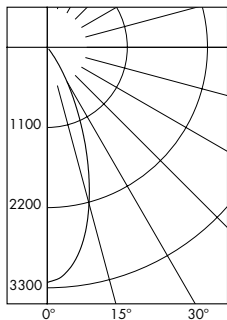
**ZONAL LUMEN SUMMARY**

ZONE	LUMENS	%FIXT
0-30	1320	88.5
0-40	1453	97.4
0-60	1480	99.2
0-90	1492	100.0

Test No. 15.02325  
 Tested at 25°C ambient temperature in accordance to IESNA LM-79-2008

**AKTMDLED15L30K8FL35BL**

System Wattage: 22.8 W  
 Fixture delivered lumens: 1554  
 Fixture Efficacy: 68.2 lumens per Watt  
 Spacing Criteria: 0.6



**CANDLEPOWER SUMMARY**

Angle	Candela	Lumens
0	3226	
5	3093	284
15	2220	608
25	1012	465
35	214	149
45	27	23
55	15	13
65	7	7
75	3	3
85	0	0
90	0	0

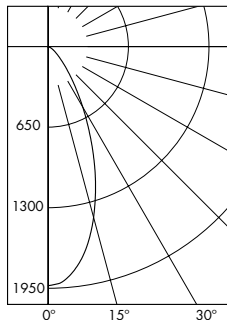
**ZONAL LUMEN SUMMARY**

ZONE	LUMENS	%LUMINAIRE
0-30	1358	87.3
0-40	1507	96.9
0-60	1543	99.3
0-90	1554	100.0

Test No. 15.02326  
 Tested at 25°C ambient temperature in accordance to IESNA LM-79-2008

**AKTMDLED15L30K8XFL55BL**

System Wattage: 22.8 W  
 Fixture delivered lumens: 1400  
 Fixture Efficacy: 61.4 lumens per Watt  
 Spacing Criteria: 0.7



**CANDLEPOWER SUMMARY**

Angle	Candela	Lumens
0	1930	
5	1868	173
15	1426	394
25	818	375
35	369	235
45	151	121
55	67	61
65	30	30
75	9	10
85	0	1
90	0	0

**ZONAL LUMEN SUMMARY**

ZONE	LUMENS	%FIXT
0-30	942	67.3
0-40	1176	84.1
0-60	1358	97.0
0-90	1400	100.0

Test No. 15.02327  
 Tested at 25°C ambient temperature in accordance to IESNA LM-79-2008

**NOTES**

Refer to [www.prescolite.com](http://www.prescolite.com) for additional photometric tests (IES Files).



**DIMMING NOTES:**

AKTMDLED track heads are designed to be compatible with many 2 wire forward and reverse phase dimming controls. The following is a list of known compatible dimmer controls:

Manufacturer	Model	Manufacturer	Model	Manufacturer	Model
Lutron	S-603PG	Lutron	SELV-300P	Cooper	SLC03P
Leviton	IPI06-1LZ	Leviton	6683-1W	Leviton	IPE04
Leviton	6631-2	Leviton	6161	Lutron	MAELV-600
Lutron	DV-600P	Leviton	6633-P	Lutron	FAELV-500
Lutron	TGCL-153P	Lutron	TG-600P	Lightolier	ZP260QEW
Lutron	S-600P	Cooper	DLC03P	Cooper	DAL06P
Leviton	VPE06	Lutron	LG-600P		
Lutron	DVELV-303P	Lutron	CT-103P		

Dimming capabilities will vary depending on the dimmer control, load, and circuit installation. Always refer to dimmer manufacturer instructions or a controls specialist for specific requirements.

Dimmer control brand names where identified above are tradenames or registered trademarks of each respective company.

**ACCESSORY HOLDER:**

