



APPLICATIONS:

Prescolite's AKTMNLED delivers over 900 Lumens and has a robust, power-efficient design, perfect for a wide variety of commercial and retail applications. It is a great addition to the AKTM Series line while providing an attractive LED option for high lumen output with low power use. The Light Engine can be used in up to a 35°C (95° F) ambient temperature environment and still maintain a 5 year warranty. (Track applications must adhere to limits of the associated track systems).

FIXTURE:

Diecast aluminum fixture with electronic driver. Track adapter rotates 350° around a vertical axis and the trackhead is rotatable 350° for horizontal aiming. The Prescolite track connector has fixed solid copper contacts for one or two circuit connection without modification. Finish available in black (BL) or white (WH). Clear Protective Lens Standard.

DIMMING:

Line voltage dimming to 10% using many 2 wire forward and reverse phase dimming controls. (See page 3 for recommended dimmers).

ACCESSORIES:

Optional accessory holder available. Holds up to 2 media. Fits most standard MR11 media.

LED LIGHT ENGINE:

The AKTMNLED has a Cree X Lamp high-flux, multi-die array COB. It provides a minimum of 80 CRI with 2 SDCM color consistency. It is a versatile fixture with multiple Kelvin temperatures available as well as 90 CRI options and factory configurable optics. It is mounted on a specially designed heatsink to meet L85 at 54,000 hours per TM21.

LED DRIVER:

Energy efficient solid state constant current electronic driver with 50,000 hour minimum anticipated life. Meets UL class 2, with over-voltage, over-current, and short-circuit protection. 120V operation.

INSTALLATION:

Prescolite ArchiTrak® compatible. The AKTMNLED is not compatible with competitive track systems.

LABELS:

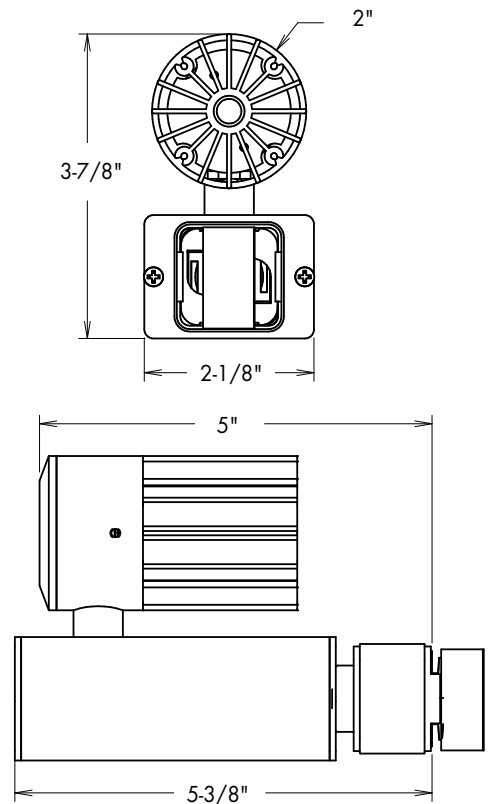
CSA certified to US and Canadian safety standards. Suitable for dry locations.

WARRANTY:

Five Year Limited Warranty. See www.prescolite.com for details.

ArchiTrak®

For conversion to millimeters, multiply inches by 25.4
Not to Scale



CATALOG NUMBER:

EXAMPLE: AKTMNLED9L35K8XFL55BL

Order track head and accessories separately

BASE						ACCESSORIES	
BASE	OUTPUT	COLOR	CRI	BEAM SPREAD	FINISH		
<input type="checkbox"/> AKTMNLED 2" LED Track Head	<input type="checkbox"/> 9L 900 Delivered Lumens	<input type="checkbox"/> 27K 2700 Kelvin	<input type="checkbox"/> 8 80+ CRI	<input type="checkbox"/> SP18 18 Degree Cutoff	<input type="checkbox"/> BL Black	Holders²	
		<input type="checkbox"/> 30K 3000 Kelvin	<input type="checkbox"/> 9 90+ CRI	<input type="checkbox"/> FL35 35 Degree Cutoff	<input type="checkbox"/> WH White	<input type="checkbox"/> AKTMNABL Accessory Holder, Black	Color Filters¹
		<input type="checkbox"/> 35K 3500 Kelvin		<input type="checkbox"/> XFL55 55 Degree Cutoff		<input type="checkbox"/> AKTMNAWH Accessory Holder, White	<input type="checkbox"/> AML11 Amber Filter
		<input type="checkbox"/> 40K 4000 Kelvin					<input type="checkbox"/> BLL11 Blue Filter
							<input type="checkbox"/> GRL11 Green Filter
							Louver/Lenses¹
							<input type="checkbox"/> AKTH1BL Honeycomb Louver, Black
							<input type="checkbox"/> SL11 Linear Spread Lens
							<input type="checkbox"/> DL11 Prismatic Diffusion Lens

NOTES:

¹Accessory Holder required for all accessories
²Accommodates up to 2 accessories

DRIVER DATA	AKTMNLED9L
Input Voltage	120V
Input Frequency	50/60 Hz
Input Current	0.13A
Input Power	14W
Constant Current Output	350mA
Power Factor	≥0.90
THD	<20%
EMI Filtering	FCC 47CFR Part 15, Class B
Operating Temperature	-30°C to 35°C

Over-voltage, over-current, short-circuit protected

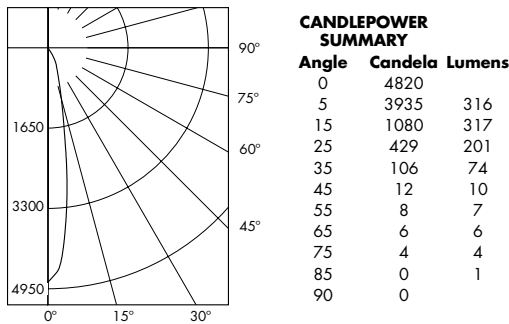
Lumen Multiplier Table

Photometrics are published below at a nominal 3000 Kelvin temperature, 80+ CRI. This table may be used to approximate the lumen values at different Kelvin/CRI. Power consumption would stay the same.

2700 Kelvin	80+ CRI	0.93
2700 Kelvin	90+ CRI	0.70
3000 Kelvin	80+ CRI	1.00
3000 Kelvin	90+ CRI	0.75
3500 Kelvin	80+ CRI	1.00
3500 Kelvin	90+ CRI	0.75
4000 Kelvin	80+ CRI	1.07
4000 Kelvin	90+ CRI	0.80

AKTMNLED9L30K8SP18BL

System Wattage: 14.2W
 Fixture delivered lumens: 935
 Fixture Efficacy: 65.8 lumens per Watt
 Spacing Criteria: 0.3



ZONAL LUMEN SUMMARY

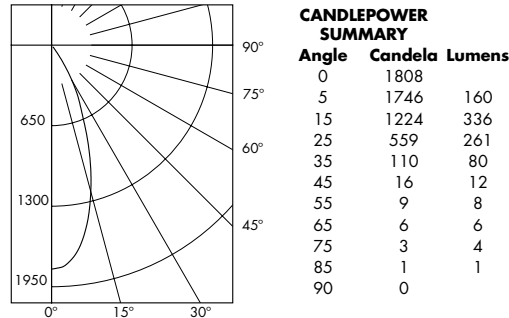
ZONE	LUMENS	%FIXT
0-30	834	89.2
0-40	907	97.1
0-60	924	98.9
0-90	935	100.0

Test No. 15.02407

Tested at 25°C ambient temperature in accordance to IESNA LM-79-2008

AKTMNLED9L30K8FL35BL

System Wattage: 14.2W
 Fixture delivered lumens: 868
 Fixture Efficacy: 61.1 lumens per Watt
 Spacing Criteria: 0.6



ZONAL LUMEN SUMMARY

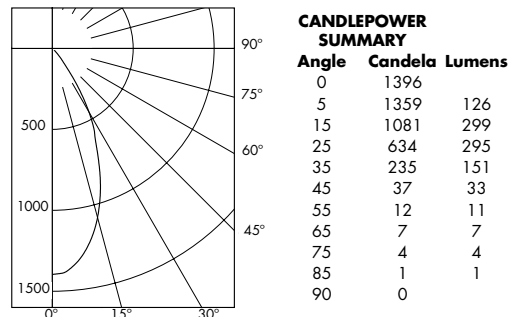
ZONE	LUMENS	%FIXTURE
0-30	757	87.2
0-40	837	96.5
0-60	858	98.8
0-90	868	100.0

Test No. 15.02406

Tested at 25°C ambient temperature in accordance to IESNA LM-79-2008

AKTMNLED9L30K8XFL55BL

System Wattage: 14.2W
 Fixture delivered lumens: 928
 Fixture Efficacy: 65.4 lumens per Watt
 Spacing Criteria: 0.7



ZONAL LUMEN SUMMARY

ZONE	LUMENS	%FIXTURE
0-30	720	77.6
0-40	871	93.9
0-60	915	98.7
0-90	928	100.0

Test No. 15.02405

Tested at 25°C ambient temperature in accordance to IESNA LM-79-2008

NOTES

Refer to www.prescolite.com for additional photometric tests (IES Files).

DIMMING NOTES:

AKTMNLED trackheads are designed to be compatible with many 2 wire forward and reverse phase dimming controls. The following is a list of known compatible dimmer controls:

Manufacturer	Model	Manufacturer	Model	Manufacturer	Model
Lutron	S-603PG	Lutron	SELV-300P	Cooper	SLC03P
Leviton	IPI06-1LZ	Leviton	6683-IW	Leviton	IPE04
Leviton	6631-2	Leviton	6161	Lutron	MAELV-600
Lutron	DV-600P	Leviton	6633-P	Lutron	FAELV-500
Lutron	TGCL-153P	Lutron	TG-600P	Lightolier	ZP260QEW
Lutron	S-600P	Cooper	DLC03P	Cooper	DAL06P
Leviton	VPE06	Lutron	LG-600P		
Lutron	DVELV-303P	Lutron	CT-103P		

Dimming capabilities will vary depending on the dimmer control, load, and circuit installation. Always refer to dimmer manufacturer instructions or a controls specialist for specific requirements.

Dimmer control brand names where identified above are tradenames or registered trademarks of each respective company.

ACCESSORY HOLDER:

