

**INSTALLATION:**

Pro-Nail™ bar hangers with integral real nail compatible with common joist systems and materials. Joist alignment tab for rapid and consistent positioning and convenient nail removal features for easy re-positioning. Integral snap-on T-bar grip-lock feature and rigid 24" telescoping bar hanger design. Auxiliary mounting points for additional fasteners or wire suspension to structure. Bar hangers are captive with positive extension stop and locking feature to fix position, and can be reoriented 90° to housing. Optional sheet metal screw for steel construction with SBH housing option.

**HOUSING:**

Aluminum outer housing with full wrap-around galvanized steel plaster frame. Housing adjusts from 1/2" to 1 1/2" for thick ceilings. Notched mounting frame for easy alignment.

Housing includes knock out free integral Romex clamps, overspray protection, universal J-box with snap-out sides, 1/2" and 3/4" knock outs for rigid conduit or BX fittings, thermal protector, and a grounding pigtail. Removable K.O. for remodel use (plaster flange clips required). Rated for 8 #12 90° conductors (4 in/4 out). Removable housing for field inspection of wiring.

**LABELS:**

IC Rated with baffle and open trims, Non-IC Rated with adjustable and lensed trims. UL, CUL listed for damp location and through wiring. Thermally protected. NYC approved. Air Shield™ rated with factory kit. WSEC compliant.

**APPLICATIONS:**

Suitable for new or remodel construction whether or not insulation is present. With a housing height of just 5 1/2", the IBXS is a good solution for applications where there is limited ceiling joist depth, such as outdoor soffits, overhangs, and foyers.

**AIR TIGHT REQUIREMENTS:**

The IBXS is Air Shield™ rated with factory kit in compliance with ASTM E283 and the Washington State Energy Code (W.S.E.C.) when used with the G6 ceiling gasket.

**REFLECTOR:**

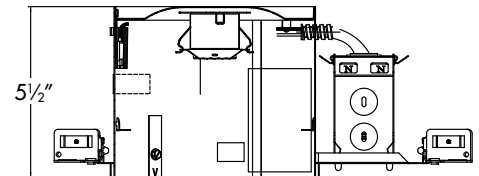
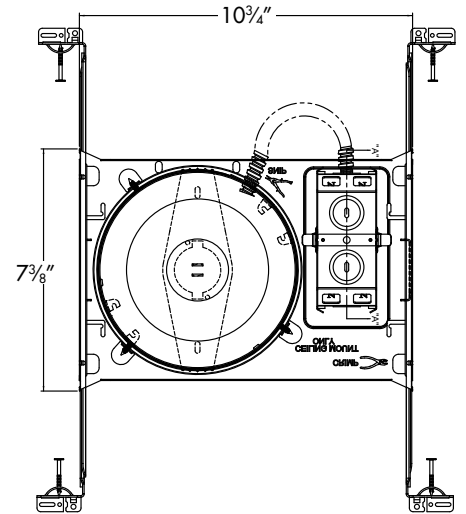
Trims feature a rigid flat spring retention method which has a positive upward spring action to ensure a snug fit to the ceiling plane, eliminating unwanted light leak, and sagging over time. Trims come standard with a painted white trim ring.

**LAMP/SOCKET:**

Porcelain socket with brass or copper screw shell. Socket snaps into trim carrier to place lamp in proper position ensuring consistent appearance and performance. Thermal protector prevents fixture from overheating when improperly installed or over-lamped. Refer to trim for specific lamp information. Lamps furnished by others.

**LiteBox® 6"**

Aperture: Nominal 6"  
Ceiling Cutout: 6 7/8"  
Maximum Ceiling Thickness: 1 1/2"  
For conversion to millimeters, multiply inches by 25.4  
Not to Scale



CATALOG NUMBER:

EXAMPLE: IBXS-TO65-RC6

Order housing, reflector, and accessories separately

HOUSING		HOUSING OPTIONS	TRIMS		ACCESSORIES
<input type="checkbox"/> <b>IBXS</b>	6" IC/Non-IC air-tight w/ nail bar hanger	<input type="checkbox"/> <b>SBH</b>	Screw bar hanger		<input type="checkbox"/> <b>RC6</b> Remodel clips. Three plaster frame clips for use in new construction frames in finished ceilings.
<input type="checkbox"/> <b>ADJUSTABLE</b>	<input type="checkbox"/> <b>TA61</b>	<input type="checkbox"/> <b>BAFFLE</b>	<input type="checkbox"/> <b>TB63</b>	<input type="checkbox"/> <b>TBW63</b>	
<input type="checkbox"/> <b>LED</b>	<input type="checkbox"/> <b>LB6LEDA SERIES</b>	<input type="checkbox"/> <b>LENSED</b>	<input type="checkbox"/> <b>TL68</b>	<input type="checkbox"/> <b>OPEN</b>	
	700 & 1000 lumen LED modules with dimming to 15%, 120V. See spec sheet for details.		<input type="checkbox"/> <b>TO65</b>		
					<input type="checkbox"/> <b>GK6</b> Field-installed Gasket Kit to convert IBXS to Air Shield™ compliant.

# TRIMS & FINISHES

## LED



### LB6LEDA Series WH

White LED module 700 & 1000 lumens,  
See spec sheets for details

## Adjustable



### TA61

White eyeball.  
Max. 75W PAR-30, 65W BR-30  
Adj. 358°H x 30°V

## Baffle



### TB63

Black stepped baffle.  
Max. 75W PAR-30, 65W BR-30



### TBW63

White stepped baffle.  
Max. 75W PAR-30, 65W BR-30

## Lensed



### TL68

Flush white albalite glass shower lense.  
Metal flange. Wet location approved.  
Max. Non-IC Applications only:  
60W A-19

## Open



### TO65

White open trim.  
Max. 75W PAR-30, 65W BR-30

 Denotes Air Shield™ capability with IBXS.

Refer to [www.prescolite.com](http://www.prescolite.com) for photometrics.

Web: [www.securitylighting.com](http://www.securitylighting.com)

2100 Golf Road, Suite 460, Rolling Meadows, IL 60008-4704

Phone: 1-800-LIGHT IT, 1-800-544-4848, Fax: 847-279-0642

Copyright ©2016 Security Lighting, a division of Hubbell Lighting, Inc.

All Rights Reserved. • Specifications subject to change without notice. • Printed in U.S.A. • SL\_PRE\_IBXS 08/18