

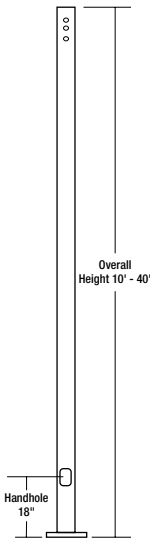
# SSS-B SERIES POLES

SQUARE STRAIGHT STEEL

Cat.#	
Job	Type



Approvals



### APPLICATIONS

- Lighting installations for side and top mounting of luminaires with effective projected area (EPA) not exceeding maximum allowable loading of the specified pole in its installed geographic location

### CONSTRUCTION

- **SHAFT:** One-piece straight steel with square cross section, flat sides and minimum 0.23" radius on all corners; Minimum yield of 46,000 psi (ASTM-A500, Grade B); Longitudinal weld seam to appear flush with shaft side wall; Steel base plate with axial bolt circle slots welded flush to pole shaft having minimum yield of 36,000 psi (ASTM A36)
- **BASE COVER:** Two-piece square aluminum base cover included standard
- **POLE CAP:** Pole shaft supplied with removable cover when applicable; Tenon and post-top configurations also available
- **HAND HOLE:** Rectangular 3x5 steel hand hole frame (2.38" x 4.38" opening); Mounting provisions for grounding lug located behind gasketed cover
- **ANCHOR BOLTS:** Four galvanized anchor bolts provided per pole with minimum yield of 55,000 psi (ASTM F1554). Galvanized hardware with two washers and two nuts per bolt for leveling

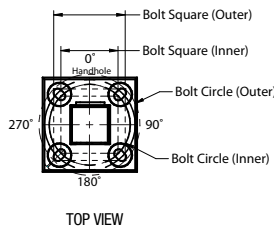
Anchor bolt part numbers: 3/4 x 30 x 3 — TAB-30-M38  
1 x 36 x 4 — TAB-36-M38

### FINISH

- Durable thermoset polyester powder coat paint finish with nominal 3.0 mil thickness
- Powder paint prime applied over "white metal" steel substrate cleaned via mechanical shot blast method
- Decorative finish coat available in multiple standard colors; Custom colors available; RAL number preferable

### WAREHOUSE 'STOCKED' POLES:

- SSSH20-40A-4-HV-DB-RDC, SSSH25-40A-4-HV-DB-RDC and SSSH30-50B-4-HV-DB-RDC
- The HV designation in the above catalog numbers is a combination drill pattern of the Hubbell Outdoor S2 pattern and the Beacon B3/B4 Viper pattern (rectangular arm mounting)



<b>POLE CAP</b>	<b>TENON</b>	<b>BASE COVER</b>	<b>BASE DETAIL</b>

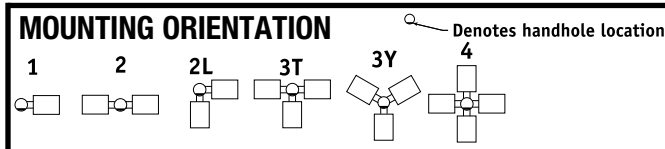
### ORDERING INFORMATION

ORDERING EXAMPLE:

Reference page 2 for available configurations

**SSS - B - 25 - 40 - A/B/C - 2L - B3 - BLT - UL**

SERIES	HEIGHT	SHAFT	THICKNESS	MOUNTING	FINISH	OPTIONS
<b>SSS-B</b> Square Straight Steel Pole Beacon	Reference page 2 Ordering matrix	Reference page 2 Ordering matrix	Reference page 2 Ordering matrix	<b>1</b> Single arm mount <b>2</b> Two fixtures at 180° <b>2L</b> Two fixtures at 90° <b>3T</b> Three fixtures at 90° <b>4</b> Four fixtures at 90° <b>TA</b> Tenon (2.38" OD x 4" Tall) <b>TB</b> Tenon (2.88" OD x 4" Tall) <b>TC</b> Tenon (3.5" OD x 6" Tall) <b>TR'</b> Removable Tenon (2.375 x 4.25) <b>OT</b> Open Top (includes pole cap)	<b>BLT</b> Black Matte Textured <b>BLS</b> Black Gloss Smooth <b>DBT</b> Dark Bronze Matte Textured <b>DBS</b> Dark Bronze Gloss Smooth <b>GTT</b> Graphite Matte Textured <b>LGS</b> Light Grey Gloss Smooth <b>PSS</b> Platinum Silver Smooth <b>WHT</b> White Matte Textured <b>WHS</b> White Gloss Smooth <b>VGT</b> Verde Green Textured <b>Color Option</b> <b>CC</b> Custom Color	<b>GFI<sup>2</sup></b> 20 Amp GFCI Receptacle and Cover <b>EHH<sup>2</sup></b> Extra Handhole <b>C05<sup>2</sup></b> .5" Coupling <b>C07<sup>2</sup></b> .75" Coupling <b>C20<sup>2</sup></b> 2" Coupling <b>MPB<sup>2</sup></b> Mid-pole Luminaire Bracket <b>VM2</b> 2nd mode vibration damper <b>LAB</b> Less Anchor Bolts <b>UL</b> UL Certified



1 Removable tenon used in conjunction with side arm mounting. First specify desired arm configuration followed by the "TR" notation. Example: SSS-B-25-40-A-1-B1-TR-BBT  
 2 Specify option location using logic found on page 2 (Option Orientation)  
 3 VM1 recommended on poles 20' and taller with EPA of less than 1.

### ACCESSORIES - Order Separately

Catalog Number	Description
<b>VM1<sup>3</sup></b>	1st mode vibration damper
<b>VM2SXX</b>	2nd mode vibration damper

### DRILL PATTERN

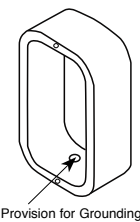
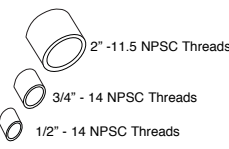
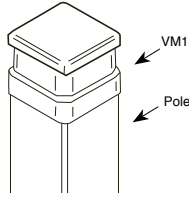
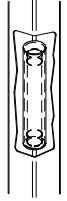

- B1** Cruiser, "AM" arm
- B3** 2 bolt (2-1/2" spacing), Viper "A" arm
- S2** 2 bolt (3-1/2" spacing), Viper "AD" arm

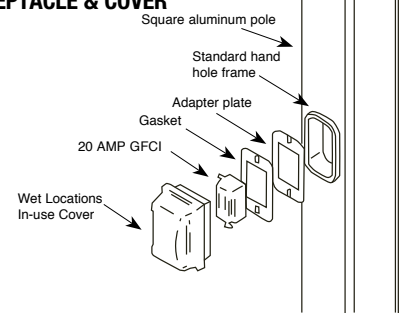
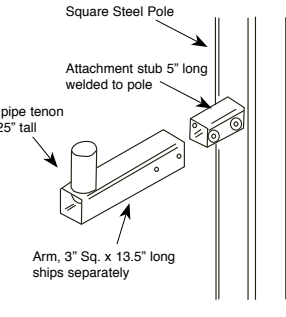
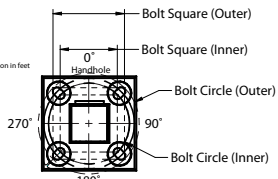


# ORDERING INFORMATION Cont.

Catalog Number	Height		Nominal Shaft Dimensions	Wall Thickness	Bolt Circle (suggested)	Bolt Circle (range)	Bolt Square (range)	Base Plate Square	Anchor bolt size	Bolt Projection	Pole weight
	Feet	Meters									
SSS-B-10-40-A-XX-XX	10	3.0	4" square	0.125"	9"	8" - 10"	5.66" - 7.07"	9"	3/4" x 30" x 3"	3.5	77
SSS-B-12-40-A-XX-XX	12	3.7	4" square	0.125"	9"	8" - 10"	5.66" - 7.07"	9"	3/4" x 30" x 3"	3.5	90
SSS-B-14-40-A-XX-XX	14	4.3	4" square	0.125"	9"	8" - 10"	5.66" - 7.07"	9"	3/4" x 30" x 3"	3.5	103
SSS-B-16-40-A-XX-XX	16	4.9	4" square	0.125"	9"	8" - 10"	5.66" - 7.07"	9"	3/4" x 30" x 3"	3.5	116
SSS-B-18-40-A-XX-XX	18	5.5	4" square	0.125"	9"	8" - 10"	5.66" - 7.07"	9"	3/4" x 30" x 3"	3.5	129
SSS-B-20-40-A-XX-XX	20	6.1	4" square	0.125"	9"	8" - 10"	5.66" - 7.07"	9"	3/4" x 30" x 3"	3.5	142
SSS-B-25-40-A-XX-XX	25	7.6	4" square	0.125"	9"	8" - 10"	5.66" - 7.07"	9"	3/4" x 30" x 3"	3.5	175
SSS-B-14-40-B-XX-XX	14	4.3	4" square	.188"	11"	10" - 12"	7.07" - 8.48"	10.50"	3/4" x 30" x 3"	3.5	152
SSS-B-16-40-B-XX-XX	16	4.9	4" square	.188"	11"	10" - 12"	7.07" - 8.48"	10.50"	3/4" x 30" x 3"	3.5	171
SSS-B-18-40-B-XX-XX	18	5.5	4" square	.188"	11"	10" - 12"	7.07" - 8.48"	10.50"	3/4" x 30" x 3"	3.5	190
SSS-B-20-40-B-XX-XX	20	6.1	4" square	.188"	11"	10" - 12"	7.07" - 8.48"	10.50"	3/4" x 30" x 3"	3.5	209
SSS-B-25-40-B-XX-XX	25	7.6	4" square	.188"	11"	10" - 12"	7.07" - 8.48"	10.50"	3/4" x 30" x 3"	3.5	257
SSS-B-30-40-B-XX-XX	30	9.1	4" square	.188"	11"	10" - 12"	7.07" - 8.48"	10.50"	3/4" x 30" x 3"	3.5	304
SSS-B-16-50-B-XX-XX	16	4.9	5" square	.188"	11"	10.25" - 13.25"	7.25" - 9.37"	11.50"	1" x 36" x 4"	4.5	219
SSS-B-18-50-B-XX-XX	18	5.5	5" square	.188"	11"	10.25" - 13.25"	7.25" - 9.37"	11.50"	1" x 36" x 4"	4.5	243
SSS-B-20-50-B-XX-XX	20	6.1	5" square	.188"	11"	10.25" - 13.25"	7.25" - 9.37"	11.50"	1" x 36" x 4"	4.5	267
SSS-B-25-50-B-XX-XX	25	7.6	5" square	.188"	11"	10.25" - 13.25"	7.25" - 9.37"	11.50"	1" x 36" x 4"	4.5	327
SSS-B-30-50-B-XX-XX	30	9.1	5" square	.188"	11"	10.25" - 13.25"	7.25" - 9.37"	11.50"	1" x 36" x 4"	4.5	387
SSS-B-25-50-C-XX-XX	25	7.6	5" square	.25"	11"	10.25" - 13.25"	7.25" - 9.37"	11.50"	1" x 36" x 4"	4.5	427
SSS-B-30-50-C-XX-XX	30	9.1	5" square	.25"	11"	10.25" - 13.25"	7.25" - 9.37"	11.50"	1" x 36" x 4"	4.5	507
SSS-B-20-60-B-XX-XX	20	6.1	6" square	.188"	12"	11.00" - 13.25"	7.81" - 9.37"	12.25"	1" x 36" x 6"	4.5	329
SSS-B-25-60-B-XX-XX	25	7.6	6" square	.188"	12"	11.00" - 13.25"	7.81" - 9.37"	12.25"	1" x 36" x 6"	4.5	404
SSS-B-30-60-B-XX-XX	30	9.1	6" square	.188"	12"	11.00" - 13.25"	7.81" - 9.37"	12.25"	1" x 36" x 6"	4.5	479
SSS-B-35-60-B-XX-XX	35	10.7	6" square	.188"	12"	11.00" - 13.25"	7.81" - 9.37"	12.25"	1" x 36" x 6"	4.5	554
SSS-B-40-60-B-XX-XX	40	12.2	6" square	.188"	12"	11.00" - 13.25"	7.81" - 9.37"	12.25"	1" x 36" x 6"	4.5	629

NOTE: Factory supplied template must be used when setting anchor bolts. Beacon Products will deny any claim for incorrect anchorage placement resulting from failure to use factory supplied template and anchor bolts.

<p><b>EHH - EXTRA HANDHOLE</b></p>  <p>Provision for Grounding</p>	<p><b>C05 - C07 - C20 - COUPLING</b></p>  <p>2" - 11.5 NPSC Threads 3/4" - 14 NPSC Threads 1/2" - 14 NPSC Threads</p>	<p><b>VM1 - VIBRATION DAMPER 1ST MODE</b></p>  <p>Field Installed Pole Top damper designed to reduce pole top deflection or sway. VM1 is recommended for pole systems 25' and taller with a total EPA of 1.0 or less.</p>	<p><b>VM2 - VIBRATION DAMPER 2ND MODE</b></p>  <p>Factory installed, internal damper designed to alter pole resonance to reduce movement and material fatigue caused by 2nd mode vibration.</p>	<p><b>VM2SXX - VIBRATION DAMPER 2ND MODE</b></p>  <p>VM2S08 - 8' VM2S12 - 12' VM2S16 - 16' VM2S20 - 20' VM2S24 - 24'</p> <p>Field installed, internal damper designed to alter pole resonance to reduce movement and material fatigue caused by 2nd mode vibration.</p>
---	--	--	---	--

<p><b>GFI - 20 AMP GFCI RECEPTACLE &amp; COVER</b></p>  <p>Square aluminum pole Standard hand hole frame Adapter plate Gasket 20 AMP GFCI Wet Locations In-use Cover</p>	<p><b>MPB - MID POLE BRACKET</b></p>  <p>Square Steel Pole Attachment stub 5" long welded to pole 2" pipe tenon 4.25" tall Arm, 3" Sq. x 13.5" long ships separately</p>	<p><b>OPTION ORIENTATION</b></p> <p>Follow the logic below when ordering location specific options. For each option, include its orientation (in degrees) and its height (in feet). Example: Option C07 should be ordered as: SSS-B-20-40-A-TA-DB-C05-0-15 (.5" coupling on the handhole/arm side of pole, 15 feet up from the pole base) 1' spacing required between option. Consult factory for other configurations.</p>  <p>Height of option in feet Bolt Square (Outer) Bolt Square (Inner) Bolt Circle (Outer) Bolt Circle (Inner) 90° 180° 270°</p>
---	---	---

For more information about pole vibration and vibration dampers, please consult [https://hubbellcdn.com/ohwassets/HLI/outdoor/resources/literature/files/Pole\\_Wind\\_Induced\\_Flyer\\_HLOI0022.pdf](https://hubbellcdn.com/ohwassets/HLI/outdoor/resources/literature/files/Pole_Wind_Induced_Flyer_HLOI0022.pdf)  
Due to our continued efforts to improve our products, product specifications are subject to change without notice.



Beacon Products • 701 Millennium Blvd, Greenville, SC 29607 • Phone: 864-678-1000

Due to our continued efforts to improve our products, product specifications are subject to change without notice.

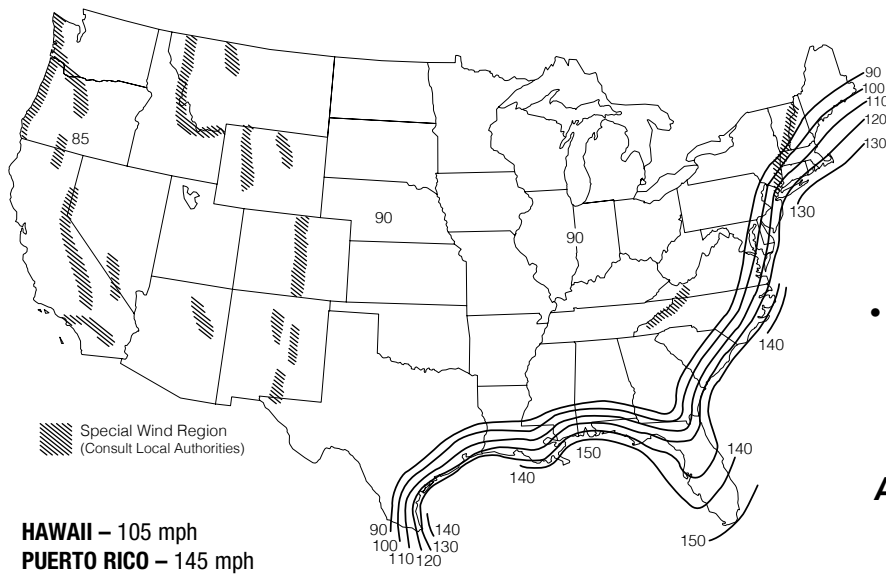
© 2020 BEACON PRODUCTS, All Rights Reserved • For more information visit our website: [www.beaconproducts.com](http://www.beaconproducts.com) • Printed in USA



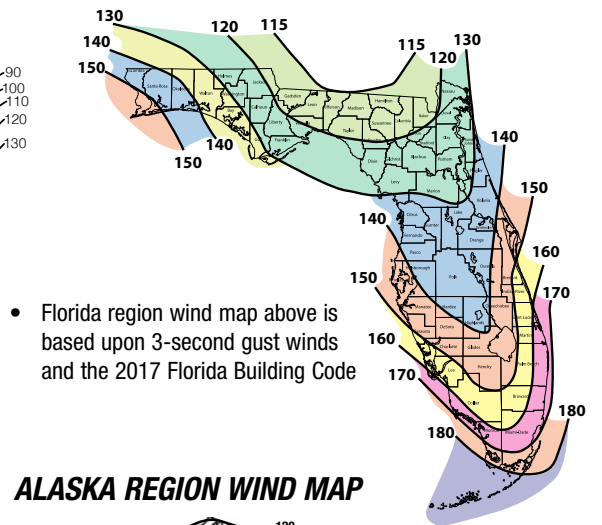
SSS-B POLES-SPEC

JULY 28, 2020 8:45 AM

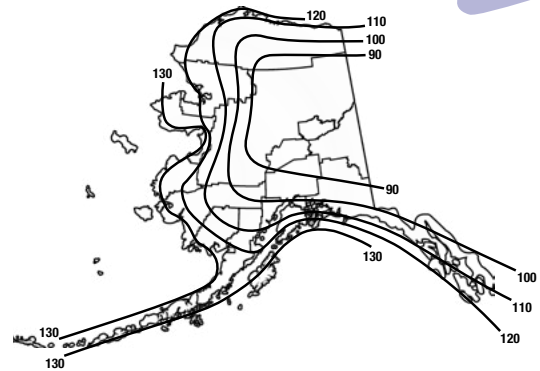
# ASCE7-05 WIND MAP



# FLORIDA REGION WIND MAP



# ALASKA REGION WIND MAP



ASCE 7-05 wind map EPA Load Rating - 3 second gust wind speeds  
(Use for all locations except Florida)

Catalog Number	85	90	100	105	110	120	130	140	145	150
SSS-B-10-40-A	25.0	25.0	25.0	22.8	20.6	17.0	14.2	11.9	11.0	10.1
SSS-B-12-40-A	25.0	25.0	20.0	18.0	16.1	13.2	10.8	8.9	8.1	7.4
SSS-B-14-40-A	23.1	20.4	16.1	14.3	12.8	10.2	8.2	6.6	5.9	5.3
SSS-B-16-40-A	19.0	16.7	13.0	11.5	10.1	7.9	6.2	4.7	4.1	3.6
SSS-B-18-40-A	15.6	13.6	10.0	9.0	7.8	5.9	4.4	3.1	2.6	2.1
SSS-B-20-40-A	12.7	10.9	7.9	6.9	5.9	4.2	2.8	1.7	1.3	0.9
SSS-B-25-40-A	7.3	5.9	3.8	2.9	2.1	0.8	NR	NR	NR	NR
SSS-B-14-40-B	25.0	25.0	23.3	20.8	18.6	15.1	12.3	10.2	9.2	8.4
SSS-B-16-40-B	25.0	24.9	19.4	17.3	15.4	12.3	9.9	8.0	7.2	6.4
SSS-B-18-40-B	24.0	20.8	16.1	14.2	12.5	9.8	7.7	6.1	5.3	4.7
SSS-B-20-40-B	20.2	17.5	13.2	11.6	10.1	7.7	5.9	4.4	3.8	3.2
SSS-B-25-40-B	12.8	11.0	7.9	6.7	5.5	3.7	2.3	1.2	0.7	NR
SSS-B-30-40-B	8.0	6.6	4.1	3.1	2.2	0.8	NR	NR	NR	NR
SSS-B-16-50-B	25.0	25.0	25.0	25.0	24.8	20.1	16.5	13.6	12.3	11.2
SSS-B-18-50-B	25.0	25.0	25.0	22.9	20.4	16.4	13.2	10.7	9.6	8.6
SSS-B-20-50-B	25.0	25.0	21.3	18.9	16.7	13.2	10.4	8.1	7.2	6.3
SSS-B-25-50-B	20.7	17.8	13.3	11.5	9.8	7.2	5.0	3.3	2.6	1.9
SSS-B-30-50-B	13.5	11.3	7.7	6.2	4.9	2.8	1.1	NR	NR	NR
SSS-B-25-50-C	25.0	25.0	19.4	17.1	15.1	11.7	9.0	6.9	6.0	5.1
SSS-B-30-50-C	20.1	17.3	12.7	10.9	9.3	6.6	4.5	2.8	2.1	1.4
SSS-B-20-60-B	25.0	25.0	25.0	25.0	25.0	20.2	16.1	12.9	11.5	10.3
SSS-B-25-60-B	25.0	25.0	20.6	18.0	15.6	11.8	8.7	6.2	5.2	4.2
SSS-B-30-60-B	21.4	18.1	12.9	10.7	8.8	5.7	3.3	1.3	NR	NR
SSS-B-35-60-B	14.0	11.3	6.9	5.2	3.6	1.0	NR	NR	NR	NR
SSS-B-40-60-B	8.1	5.8	2.2	nr	NR	NR	NR	NR	NR	NR

Florida Building Code 2017 EPA Load Rating - 3 second gust wind speeds  
(Use for Florida only)

Catalog Number	115	120	130	140	150	160	170	180
SSS-B-10-40-A	25.0	25.0	25.0	25.0	21.4	18.4	15.9	13.9
SSS-B-12-40-A	25.0	25.0	23.6	19.8	16.7	14.2	12.1	10.4
SSS-B-14-40-A	25.0	23.1	19.0	15.7	13.1	10.9	9.1	7.6
SSS-B-16-40-A	20.8	18.7	15.2	12.3	10.1	8.2	6.7	5.4
SSS-B-18-40-A	16.8	15.0	11.9	9.4	7.5	5.9	4.5	3.4
SSS-B-20-40-A	13.6	11.9	9.2	7.1	5.3	3.9	2.7	1.7
SSS-B-25-40-A	7.4	6.2	4.1	2.5	1.1	NR	NR	NR
SSS-B-14-40-B	25.0	23.6	19.4	16.1	13.4	11.2	9.4	7.8
SSS-B-16-40-B	21.4	19.2	15.6	12.7	10.4	8.5	6.9	5.6
SSS-B-18-40-B	17.2	15.4	12.2	9.7	7.7	6.1	4.7	3.6
SSS-B-20-40-B	13.9	12.3	9.5	7.3	5.5	4.1	2.9	1.9
SSS-B-25-40-B	7.7	6.4	4.3	2.6	1.3	NR	NR	NR
SSS-B-30-40-B	3.2	2.1	NR	NR	NR	NR	NR	NR
SSS-B-16-50-B	25.0	25.0	25.0	25.0	25.0	21.4	18.2	15.5
SSS-B-18-50-B	25.0	25.0	25.0	24.4	20.4	17.0	14.2	11.9
SSS-B-20-50-B	25.0	25.0	24.4	19.9	16.3	13.4	11.0	8.9
SSS-B-25-50-B	21.8	19.3	15.0	11.5	8.8	6.5	4.7	3.1
SSS-B-30-50-B	13.7	11.7	8.2	5.5	3.3	1.5	NR	NR
SSS-B-25-50-C	21.8	19.3	15.0	11.5	8.8	6.5	4.7	3.1
SSS-B-30-50-C	13.7	11.7	8.2	5.5	3.3	1.5	NR	NR
SSS-B-20-60-B	25.0	25.0	25.0	21.9	17.8	14.5	11.7	9.4
SSS-B-25-60-B	23.8	20.9	16.1	12.3	9.2	6.6	4.5	2.8
SSS-B-30-60-B	14.6	12.3	8.4	5.3	2.8	0.8	NR	NR
SSS-B-35-60-B	7.5	5.6	2.4	NR	NR	NR	NR	NR
SSS-B-40-60-B	1.8	NR	NR	NR	NR	NR	NR	NR



---

## NOTES

### Wind-speed Website disclaimer:

Hubbell Lighting has no connection to the linked website and makes no representations as to its accuracy. While the information presented on this third-party website provides a useful starting point for analyzing wind conditions, Hubbell Lighting has not verified any of the information on this third party website and assumes no responsibility or liability for its accuracy. The material presented in the windspeed website should not be used or relied upon for any specific application without competent examination and verification of its accuracy, suitability and applicability by engineers or other licensed professionals. Hubbell Lighting Inc. does not intend that the use of this information replace the sound judgment of such competent professionals, having experience and knowledge in the field of practice, nor to substitute for the standard of care required of such professionals in interpreting and applying the results of the windspeed report provided by this website. Users of the information from this third party website assume all liability arising from such use. Use of the output of these referenced websites do not imply approval by the governing building code bodies responsible for building code approval and interpretation for the building site described by latitude/longitude location in the windspeed report. <http://windspeed.atcouncil.org>

### NOTES

- Allowable EPA, to determine max pole loading weight, multiply allowable EPA by 30 lbs.
- The tables for allowable pole EPA are based on the ASCE 7-05 Wind Map or the Florida Region Wind Map for the 2010 Florida Building Code. The Wind Maps are intended only as a general guide and cannot be used in conjunction with other maps. Always consult local authorities to determine maximum wind velocities, gusting and unique wind conditions for each specific application
- Allowable pole EPA for jobsite wind conditions must be equal to or greater than the total EPA for fixtures, arms, and accessories to be assembled to the pole. Responsibility lies with the specifier for correct pole selection. Installation of poles without luminaires or attachment of any unauthorized accessories to poles is discouraged and shall void the manufacturer's warranty
- Wind speeds and listed EPAs are for ground mounted installations. Poles mounted on structures (such as bridges and buildings) must consider vibration and coefficient of height factors beyond this general guide; Consult local and federal standards
- Wind Induced Vibration brought on by steady, unidirectional winds and other unpredictable aerodynamic forces are not included in wind velocity ratings. Consult Hubbell Lighting's Pole Vibration Application Guide for environmental risk factors and design considerations. [https://hubbellcdn.com/ohwassets/HLI/outdoor/resources/literature/files/Pole\\_Wind\\_Induced\\_Flyer\\_HL010022.pdf](https://hubbellcdn.com/ohwassets/HLI/outdoor/resources/literature/files/Pole_Wind_Induced_Flyer_HL010022.pdf)
- Extreme Wind Events like, Hurricanes, Typhoons, Cyclones, or Tornadoes may expose poles to flying debris, wind shear or other detrimental effects not included in wind velocity ratings

---

Due to our continued efforts to improve our products, product specifications are subject to change without notice.

---

