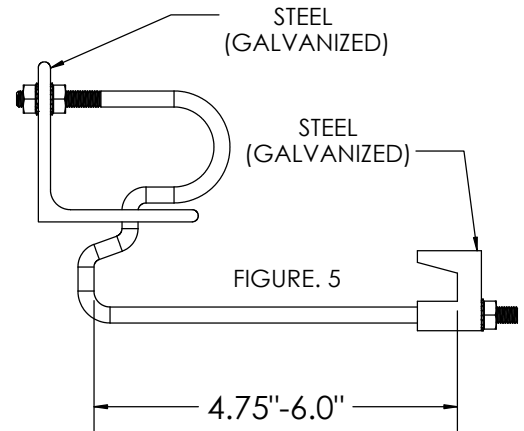
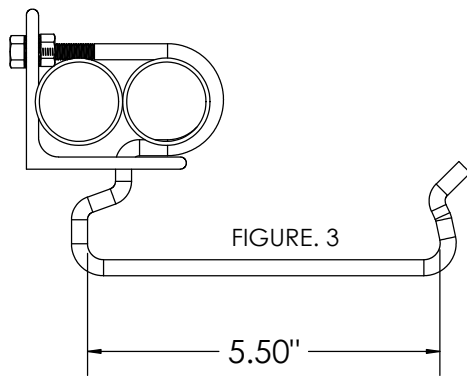
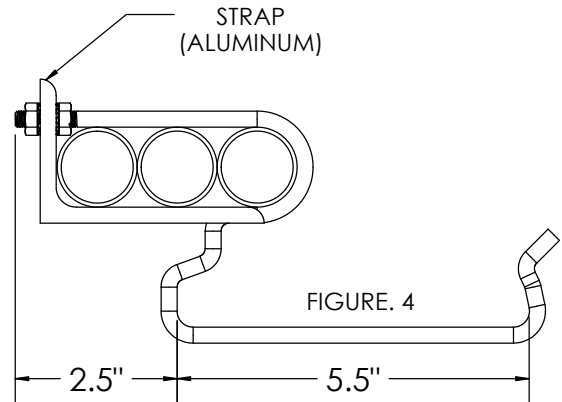
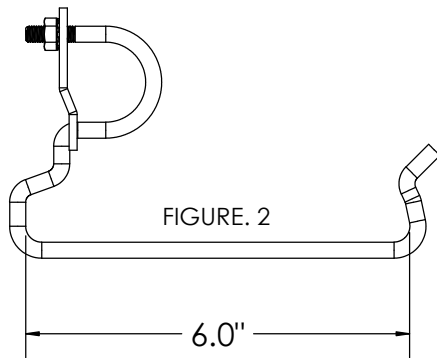
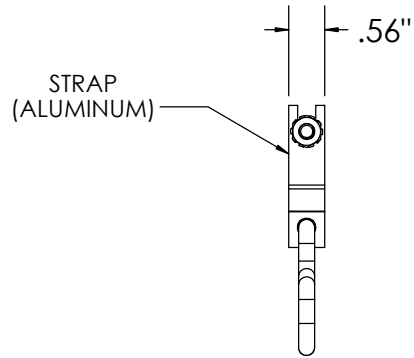
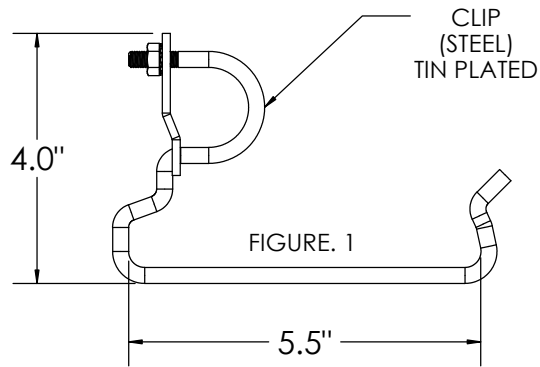


# SUPPORT SPRING RAIL CLIP



NOTE: ALL PART #'S ARE SUPPLIED WITH STANDARD ZINC PLATED KEPT NUTS.  
ADD SUFFIX "N" TO THE PART # TO SPECIFY A STAINLESS STEEL NYLON INSERT NUT. EX:115-250N

## Ordering Information

Rail Size & Type	Cable O.D & Capacity	Figure #	Catalog #
115 LB AREA	1.25" x 1	1	<b>115-250</b>
140 LB AREA	1.375" x 1	2	<b>140-375</b>
115 LB AREA	1.095" x2 - 1.365" x2	3	<b>115-250-2S</b>
115 LB AREA	1.302" x3	4	<b>115-250-3</b>
100 ARA-B	1.095" x2 - 1.365" x2	5	<b>100-ARA-B-250-2</b>