



**FEATURES**

- Optical performance designed for T8 and T5 lamp technology
- 2/8" minimum spacing from bottom of lamp to bottom of lens
- Mechanical light seal
- Mitered corners on door present a clean uninterrupted appearance
- Spring loaded latches optional
- Rolled fixture edges reduce risk of injury during fixture handling and installation
- Integral T-Bar clips quickly to secure fixture to grid system without the need for time-consuming loose parts
- Snap-in ballast covers can be removed with lamps installed
- Corner hinging for easy insertion and removal of door frame from either side
- Optional flush or regressed aluminum shielding frames available with positive action or spring loaded latches
- Housing ends secured by unique corner interlock and screws

**PROJECT INFORMATION**

Project Name \_\_\_\_\_

Type \_\_\_\_\_

Catalog No. \_\_\_\_\_

Date \_\_\_\_\_

**HOUSING**

Heavy gauge steel. Die formed for extra rigidity. Grid housings are designed for installation in standard 15/16" T-Bar ceilings. Integral T-Bar clips are located at the end of the housing. Flanged housings for hard ceilings feature overlap flange trim and wing hangers.

**BALLASTS**

Energy efficient, thermally protected, automatic resetting, Class P, high power factor, sound rated A, magnetic or electronic ballasts. CEE NEMA Premium compliant.

**ELECTRICAL**

Standard class "P," thermally protected, autoresetting HPF ballast, sound rated A. CEE NEMA Premium compliant. All ballast leads extend a minimum of 6" through access location. NEC/CEC-compliant ballast disconnect is standard.

**FINISH**

All parts pre-painted with high gloss baked white enamel, minimum reflectance 86%, applied over iron phosphate pretreatment for maximum adhesion and rust resistance.

**SHIELDING**

100% clear prismatic acrylic, extruded and roll-embossed, diagonally oriented female prisms, unless otherwise specified.

**CERTIFICATION**

All luminaires are built to UL 1598 standards and bear appropriate UL and cUL or CSA labels. Damp location labeling is standard. Emergency-equipped fixtures labeled UL 924.

**ORDERING INFORMATION**

**EXAMPLE ST824-432G-FSA12-4EU-F0741-C388**

ST8	24	-	-	-	-	-
MODEL	NO. OF LAMPS	CEILING TYPE	DOOR STYLE	VOLTAGE	OPTIONS	
ST8 Shallow Specification Troffer	4 Four 6 Six	G Inverted T-Bar F Overlap Flange	FS Flush Steel FA Flush Aluminum RA Regressed Aluminum PS Premium Steel	U 120V-277V 347 347V	<b>F830</b> T8, 78+CRI, 3000K Lamps, Furnished/Installed <b>F835</b> T8, 78+CRI, 3500K Lamps, Furnished/Installed <b>F841</b> T8, 78+CRI, 4100K Lamps, Furnished/Installed <b>GLR</b> Fast Blow Fuse <b>EL</b> Emergency Battery Pack <b>PAF</b> Paint After Fabrication <b>SLL</b> Spring Loaded Latches <b>C388</b> 3/8" Flex with 3 No. 18 Wires <b>C384</b> 3/8" Flex with 3 No. 14 Wires <b>C488</b> 3/8" Flex with 4 No. 18 Wires <b>C424</b> 1/2" Flex with 4 No. 14 Wires <b>M4R</b> Miro®-4 Aluminum Reflector <b>SAR</b> Low Iridescent Specular Aluminum Reflector <b>CP</b> Chicago Plenum	
	SIZE	LAMP TYPE	SHIELDING	BALLAST	For a complete set of options, see Options and Accessories.  For specific ballast vendor, show as option.	
	24 2' x 4'	28 4', T5: 28 Watt 32 4', T8: 32, 30, 28 or 25 Watt 54 4', T5HO: 54 or 51 Watt	<b>A12</b> Pattern 12 Acrylic 0.100" Nominal (Std.) <b>A12.125</b> Pattern 12 Acrylic 0.125" Nominal <b>A19</b> Pattern 19 Acrylic 0.15" Male Prism <b>PC1</b> Silver Parabolic Louver 1/2" x 1/2" x 1/2" <b>PC2</b> Silver Parabolic Louver 1 1/2" x 1 1/2" x 1"	<b>E</b> Electronic T8, Instant Start <b>ELW</b> 2-Lamp Electronic T8, 0.77 Ballast Factor, Low Wattage, Instant Start <b>4E</b> 4-Lamp Electronic T8, Instant Start <b>4ELW</b> 4-Lamp Electronic T8, 0.77 Ballast Factor, Low Wattage, Instant Start <b>EP</b> Electronic T5 or T8, Programmed Start <b>4EP</b> 4-Lamp Electronic T5HO (N/A 347V) or T8, Programmed Start	For a complete set of options, see Options and Accessories.	

Test 12582 Test Date 1/08/03

### PHOTOMETRIC DATA

#### LUMINAIRE DATA

Luminaire	ST824-432G-FSA12-4E-PAF ST8 Lensed Troffer 2' x 4' 4-Lamp with A12 Lens
Ballast	B4321120RH
Ballast Factor	0.88
Lamp	F32T8
Lumens per Lamp	2900
Total Input Watts	110
Shielding Angle	N/A
Spacing Criterion	0° = 1.22 90° = 1.30

#### ZONAL LUMEN SUMMARY

Zone	Lumens	%Lamp	%Fixt.
0-30	3127	27.0	32.4
0-40	5071	43.7	52.5
0-60	8253	71.1	85.4
0-90	9663	83.3	100.0
0-180	9663	83.3	100.0

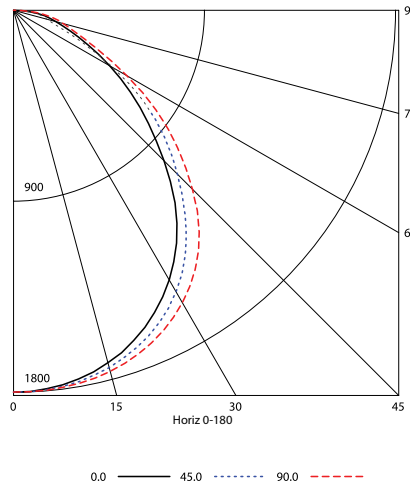
#### ENERGY DATA

Total Luminaire Efficiency	83.3%
Luminaire Efficacy Rating (LER)	77
IESNA RP-1-1993 Compliance	Noncompliant
Comparative Yearly Lighting Energy Cost per 1000 Lumens	\$3.12 based on 3000 hrs. and \$0.08 per KWH

#### COEFFICIENTS OF UTILIZATION (%)

RC	RW	80				70				50				0				
		70	50	30	10	70	50	30	10	50	30	10	0	70	50	30	10	
1	91	88	84	81	89	86	83	80	82	80	78	71						
2	84	77	72	68	82	76	71	67	73	69	66	61						
3	77	69	63	58	75	68	62	57	65	60	56	52						
4	71	62	55	49	69	60	54	49	58	53	48	46						
5	66	55	48	43	64	55	48	43	53	47	42	40						
6	61	50	43	38	59	49	43	38	48	42	38	35						
7	56	46	39	34	55	45	38	34	44	38	34	31						
8	53	42	35	30	51	41	35	30	40	34	30	28						
9	49	39	32	27	48	38	32	27	37	31	27	26						
10	46	36	29	25	45	35	29	25	34	29	25	23						

#### INDOOR CANDELA PLOT



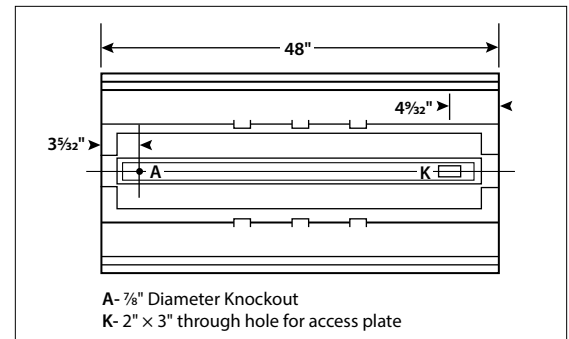
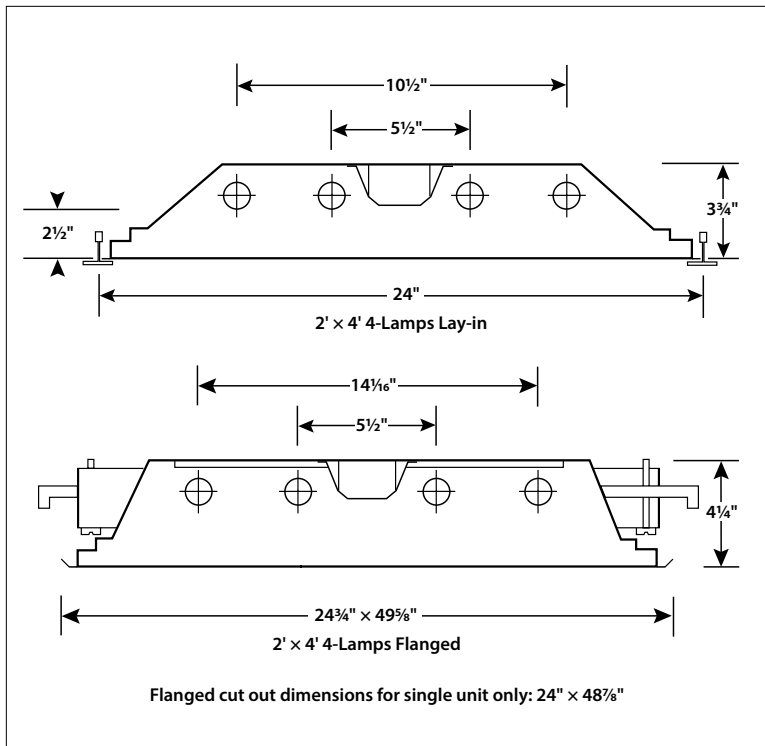
#### AVG. LUMINANCE (Candela/Sq. M.)

	0.0	22.5	45.0	67.5	90.0
0	6124	6124	6124	6124	6124
30	5815	5920	6095	6239	6276
40	5237	5360	5547	5767	5832
45	4761	4953	5176	5372	5379
50	4351	4502	4747	4867	4884
55	3949	3979	4124	4221	4340
60	3462	3348	3292	3459	3697
65	3018	2755	2481	2813	3168
70	2871	2465	2023	2515	2944
75	3025	2470	2231	2536	3049
80	3104	2695	2561	2677	3246
85	3278	3012	2640	2924	3296

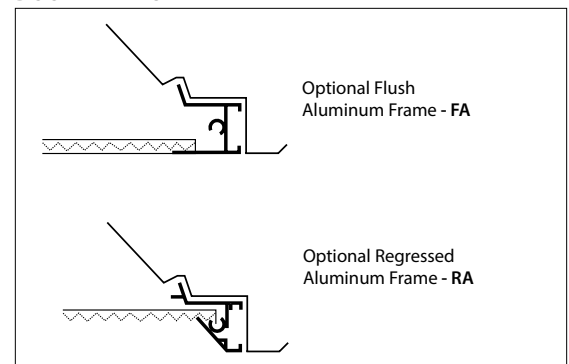
RCR = Room Cavity Ratio

RC = Effective Ceiling Cavity Reflectance RW = Wall Reflectance

#### DIMENSIONAL DATA



#### DOOR FRAMES



**NOTE:** All dimensions are in inches; dimensions and specifications are subject to change without notice. Please consult factory or check sample for verification.