

FEATURES

- Clear acrylic prismatic diffuser. Hinges from either side. Flat bottom and vertical sides
- Linear side prisms control visual brightness and direct light onto adjacent ceiling area
- Injection molded decorative glow ends on diffuser baskets.
- Heavy gauge steel housing, die embossed for maximum rigidity
- Heat sink embossments and levelling projections allow direct mounting of HPF fixtures on combustible low density cellulose fiberboard ceilings
- Also available with 2 and 4 lamps, see WCW24

PROJECT INFORMATION

Project Name _____

Type _____

Catalog No. _____

Date _____

FINISH

All parts pre-painted with high gloss baked white enamel, minimum reflectance 86%, applied over iron phosphate pre-treatment for maximum adhesion and rust resistance.

BALLASTS

Energy efficient, thermally protected, automatic resetting, Class P, high power factor, sound rated A, unless otherwise specified. CEE NEMA Premium compliant.

ELECTRICAL

Standard class "P", thermally protected, auto-resetting HPF ballast, sound rated A. CEE NEMA Premium compliant. All ballast leads extend a minimum of 6" through access location. NEC/CEC-compliant ballast disconnect is standard.

SHIELDING

100% clear prismatic acrylic. 50% DR acrylic lens available as an option.

CERTIFICATION

All luminaires are built to UL 1598 standards and bear appropriate UL and cUL or CSA labels. Damp location labeling is standard. Emergency-equipped fixtures labeled UL 924.

ORDERING INFORMATION

EXAMPLE WCW4-332-3EU

WCW		3					
MODEL		NO. OF LAMPS		LENS	BALLAST	VOLTAGE	OPTIONS
WCW 15 ³ / ₈ " Wide Specification Grade Wraparound		3 Three		Blank Clear Prismatic Acrylic DR 50% DR content, Clear Prismatic Acrylic	E Electronic T8, Instant Start 3E 3-Lamp Electronic T8, Instant Start 24E (1) 2-Lamp and (1) 4-Lamp Electronic T8 Instant Start EP Electronic T5, T5HO, or T8, Programmed Start 3EP 3-Lamp Electronic T5 or T8, Programmed Start 24EP (1) 2-Lamp and (1) 4-Lamp Electronic T5 or T8, Programmed Start	U 120V-277V 347 347V	GLR Fast Blow Fuse EL Emergency Battery Pack PAF Paint After Fabrication
	SIZE		LAMP TYPE				ACCESSORIES (ORDER SEPARATELY)
	4 4' 8 8'		28 4', T5: 28 Watt 32 4', T8: 32, 30, 28 or 25 Watt 54 4', T5HO: 54 or 51 Watt				ITB4 T-Bar Hanger S18 18" Stem, Canopy (requires SB3) SS18 18" Swivel Stem - 45° Swivel (requires SB3) SB3 Stem Mounting Bracket

PHOTOMETRIC DATA

LUMINAIRE DATA

Luminaire	WCW4-332 WCW Wraparound 15" x 48" 3-Lamp with Wraparound Acrylic Prisms Lens
Ballast	REL3P325C
Ballast Factor	0.86
Lamp	F32T8
Lumens per Lamp	2900
Watts	82
Shielding Angle	N/A
Spacing Criterion	0° = 1.28 90° = 1.36
Luminous Opening in Feet	Length: 3.97 Width: 1.23 Height: 0.17

ZONAL LUMEN SUMMARY

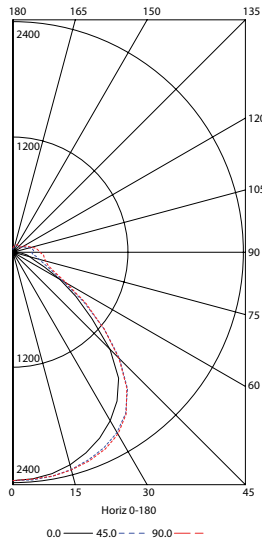
Zone	Lumens	% Lamp	% Fixt.
0-30	1904	21.9	27.9
0-40	3153	36.2	46.2
0-60	5139	59.1	75.3
0-90	6161	70.8	90.3
90-120	443	5.1	6.5
90-130	514	5.9	7.5
90-150	616	7.1	9.0
90-180	665	7.6	9.7
0-180	6826	78.5	100.0

Test 13335 Test Date 2/25/03

ENERGY DATA

Total Luminaire Efficiency	78.5%
Luminaire Efficacy Rating (LER)	72
IESNA RP-1-1993 Compliance	Non-Compliant
Comparative Yearly Lighting Energy Cost per 1000 Lumens	\$3.33 based on 3000 hrs. and \$0.08 per KWH

INDOOR CANDELA PLOT



AVG. LUMINANCE (Candela/Sq. M.)

	0.0	22.5	45.0	67.5	90.0
0	5218	5218	5218	5218	5218
30	5010	5043	5115	5104	5129
40	4733	4788	4802	4747	4737
45	4260	4355	4328	4256	4253
50	3485	3691	3663	3579	3627
55	2886	2950	2908	2923	2975
60	2307	2364	2212	2367	2358
65	1725	2007	1805	2040	1951
70	1355	1835	1650	1898	1836
75	1359	1779	1648	1944	2011
80	1481	1782	1802	2236	2391
85	1426	1734	2126	2828	3177

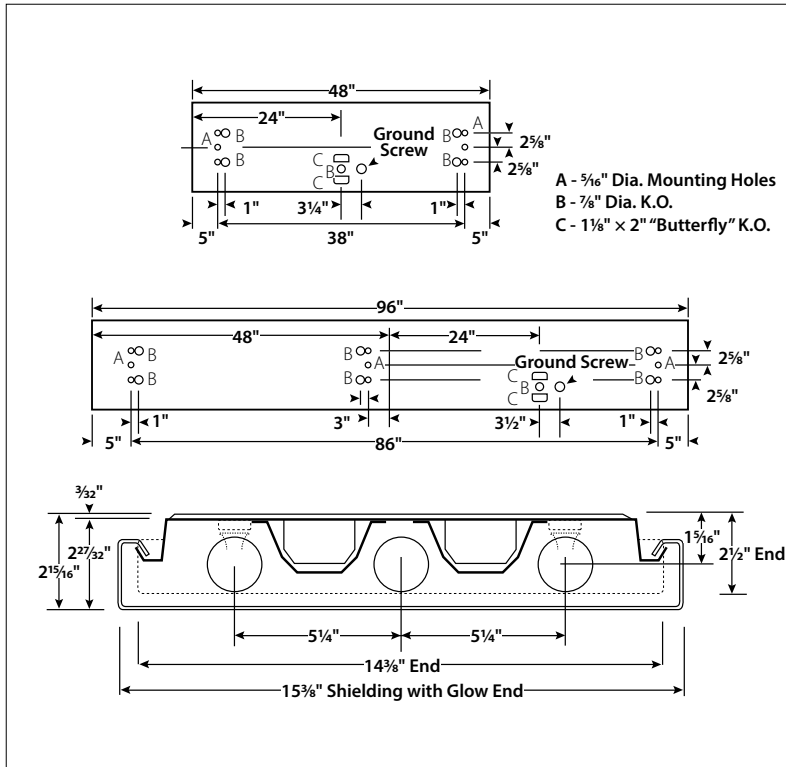
COEFFICIENTS OF UTILIZATION (%)

RCR	RC	80				70				50				0				
		RW	70	50	30	10	70	50	30	10	50	30	10	0	50	30	10	0
1	84	80	77	74	81	78	75	72	73	70	68	60	60	60	61	57	51	51
2	77	71	65	61	74	68	64	60	64	61	57	51	51	57	53	49	43	43
3	70	63	57	52	68	61	55	51	57	53	49	43	43	49	45	41	35	35
4	65	56	49	44	62	54	48	44	51	46	42	38	38	44	41	37	33	33
5	60	50	44	39	58	49	43	38	46	41	37	33	33	39	36	32	29	29
6	55	45	39	34	53	44	38	33	42	37	33	29	29	35	32	28	24	24
7	51	41	35	30	50	40	34	30	38	33	29	26	26	32	29	25	21	21
8	48	38	31	27	46	37	31	27	35	30	26	23	23	29	26	22	18	18
9	45	35	28	24	43	34	28	24	32	27	24	21	21	26	23	19	15	15
10	42	32	26	22	41	31	26	22	30	25	21	19	19	24	21	17	13	13

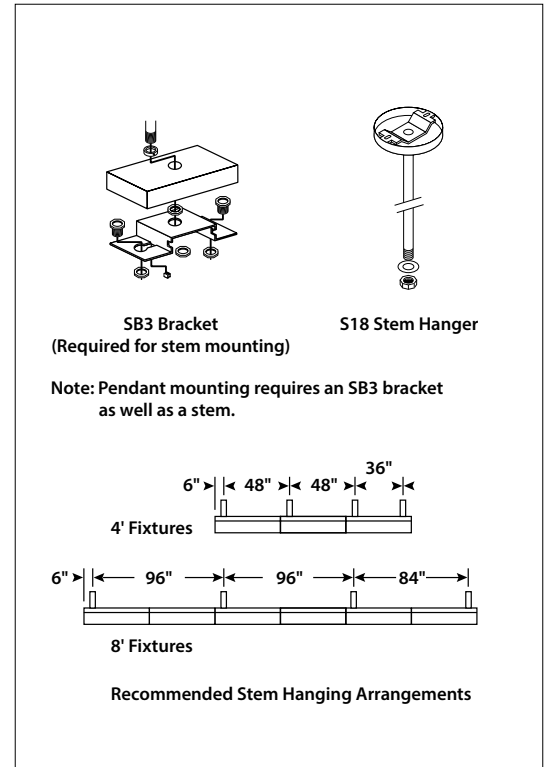
RCR = Room Cavity Ratio

RC = Effective Ceiling Cavity Reflectance RW = Wall Reflectance

DIMENSIONAL DATA



STEM/PENDANT MOUNTING



NOTE: All dimensions are in inches; dimensions and specifications are subject to change without notice. Please consult factory or check sample for verification.