



**FEATURES**

- Wet label housing troffer
- Gasketed to provide additional seal between door, lens, and housing
- Mitered corners standard on door frame
- Mechanical light trap
- All metal parts are white powder coat, painted after fabrication
- UL listed 1598 for wet location covered ceiling applications
- Rotary action cam latches. Smooth operating for secure shielding retention
- Corner hinging for easy insertion and removal of shielding frame
- Housing ends are secured by unique corner interlock and screws
- Metal to metal light leak protection on all four sides of shielding frame
- Rotary lock lampholders for positive lamp contact
- Heat sink embossments behind ballasts for cooler operation and longer life

**PROJECT INFORMATION**

Project Name \_\_\_\_\_

Type \_\_\_\_\_

Catalog No. \_\_\_\_\_

Date \_\_\_\_\_

**FLANGED FEATURES**

Four adjustable Uni-Lugs for quick easy installation. Optional plaster frames available for individual or row mounting. Fixture end flanges are removable for row mounting. Joiner channels are included.

**HOUSING**

Heavy gauge steel. Die formed for extra rigidity. Designed for installation in standard inverted tee grid ceilings.

**BALLASTS**

Energy efficient, thermally protected, automatic resetting, Class P, high power factor, sound rated, Class A, unless otherwise specified, and IEC/EMC Premium compliant.

**ELECTRICAL**

Standard class "P" thermally protected, automatic resetting, Class P, high power factor, sound rated, Class A, unless otherwise specified, and IEC/EMC Premium compliant. All ballasts extend a minimum of 6" through ceiling. NEC compliant ballast dimensions are standard.

**SHIELDING**

100% acrylic prismatic lens and roll-embossed, diagonally oriented, male prismatic unlouver unless otherwise specified.

**FINISH**

All metal parts are processed with a five phase phosphate bonding treatment, and are pre-painted with high gloss baked white enamel, 90% reflective. Flange units are painted after fabrication with a polyester powder coat, reflective of 90%. All metal parts are processed with a five phase phosphate bonding treatment, and are pre-painted with a high gloss baked white enamel. Finally, units are painted after fabrication with a polyester powder coat, reflective of 90%. Optional R2 for higher reflectance.

**FLANGED UNIT INSTALLATION**

Fixtures are installed from above the ceiling and are overlapping trim flanges. Adjustable Uni-Lugs are used to secure the fixture to the ceiling structure. Plaster frames are available if required.

**CERTIFICATION**

All luminaires are built to UL 1598 standards and bear appropriate UL and cUL or CSA labels. Wet location labeling is standard.

**ORDERING INFORMATION**

**EXAMPLE WT14-332G-FAA12-EU-C488-GLR**

WT 14 - 32							
MODEL	NO. OF LAMPS	CEILING TYPE	SHIELDING	VOLTAGE	OPTIONS		
WT Wet Location Lensed Troffer	1 One 3 Three	Inverted T-8	A12 Pattern 12 Acrylic 0.100" Nominal (Standard) A12.125 Pattern 12 Acrylic 0.125" Nominal A19 Pattern 19 Acrylic 0.156" Male Prism DR12 High Impact Acrylic Pattern 12, .140" (Std.)	U 120V-277V 347 347V	F830 T8, 78+CRI, 3000K Lamps, Furn/Inst. F835 T8, 78+CRI, 3500K Lamps, Furn/Inst. F841 T8, 78+CRI, 4100K Lamps, Furn/Inst. GMF Slow Blow Fuse GLR Fast Blow Fuse C388 3/8" Flex with 3 No. 18 Wires C384 3/8" Flex with 3 No. 14 Wires C488 3/8" Flex with 4 No. 18 Wires C424 1/2" Flex with 4 No. 14 Wires PAF Paint After Fabrication CP Chicago Plenum		
SIZE	AMP TYPE	DOOR STYLE	BALLAST		For a complete set of options, see options and accessories section.		
14	30, 28 or 25 Watts	FA White Flush Aluminum RA White Regressed Aluminum	E Electronic T8, Instant Start 3E 3-Lamp Electronic T8, Instant Start EP Electronic T8, Programmed Start 3EP 3-Lamp Electronic T8, Programmed Start				
ACCESSORIES (ORDER SEPARATELY)							
FK14 1' x 4' Single Flange Kit							

<sup>1</sup> For hard ceilings use flange kit accessory.

**PHOTOMETRIC DATA**

Test 13752 Test Date 12/14/04

**LUMINAIRE DATA**

Luminaire	WT14-332G-FAA12-EU WT Lensed Troffer 1' x 4' 3-Lamp with A12 Prismatic Acrylic Lens
Ballast	REL-3P32-SC
Ballast Factor	0.88
Lamp	F32T8
Lumens per Lamp	2900
Total Input Watts	83
Mounting	Recessed
Reflectance	PCW 91.5
Shielding Angle	0° = 0 90° = 0
Spacing Criterion	0° = 1.24 90° = 1.25
Luminous Opening in Feet	Length: 3.81 Width: 0.81 Height: 0.00

**ZONAL LUMEN SUMMARY**

Zone	Lumens	% Lamp	% Fixt.
0-30	2111	24.3	33.1
0-40	3393	39.0	53.2
0-60	5429	62.4	85.1
0-90	6380	73.3	100.0
0-180	6380	73.3	100.0

**ENERGY DATA**

Total Luminaire Efficiency	73.3%
Luminaire Efficacy Rating (LER)	FL - 68
ANSI/IESNA RP-1-2004 Compliance	Noncompliant
Comparative Yearly Lighting Energy Cost per 1000 Lumens	\$3.53 based on 3000 hrs. and \$0.08 per KWH

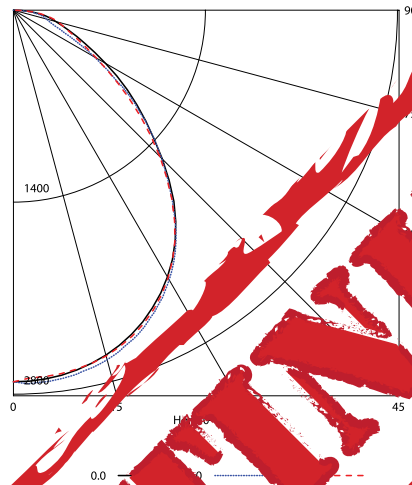
**COEFFICIENTS OF UTILIZATION (%)**

RC	80				70				50				0
	RW	70	50	30	10	70	50	30	10	50	30	10	0
1	80	77	74	72	78	76	73	70	72	70	68	63	63
2	74	68	64	60	72	67	63	59	64	61	58	54	54
3	68	61	55	51	66	60	54	50	57	53	49	46	46
4	63	54	48	44	61	53	48	43	52	47	43	40	40
5	58	49	43	38	56	48	42	38	47	41	38	35	35
6	54	44	38	34	52	44	38	34	42	37	33	31	31
7	50	40	34	30	49	40	34	30	39	34	30	28	28
8	47	37	31	27	45	37	31	27	36	30	27	25	25
9	44	34	28	24	43	34	28	24	33	28	24	23	23
10	41	32	26	22	40	31	26	22	31	26	22	21	21

RCR = Room Cavity Ratio

RC = Effective Ceiling Reflectance RW = Wall Reflectance

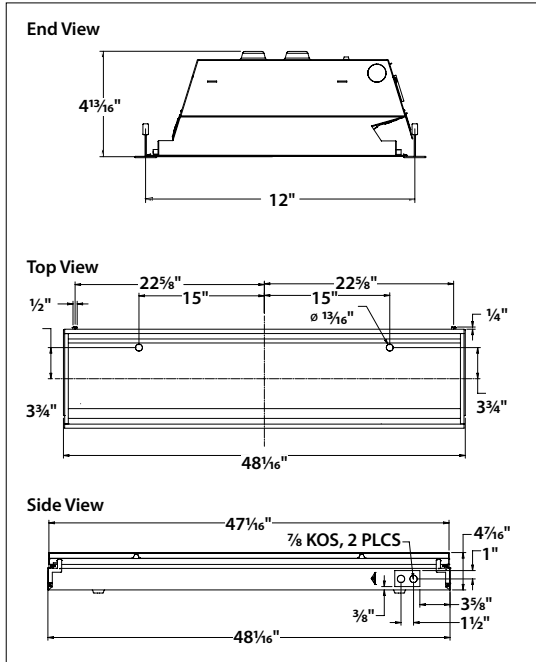
**INDOOR CANDELA PLOT**



**AVG. LUMINANCE (Candela/Sq. M.)**

Average Luminance Angle	0.0	22.5	45.0	67.5	90.0
0	9449	9449	9449	9449	9449
30	9042	9110	9146	9110	9078
40	8282	8268	8209	8159	8177
45	7572	7616	7543	7433	7442
50	6837	6870	6832	6571	6582
55	6156	5941	5862	5582	5667
60	5413	4939	4723	4688	4869
65	4762	4176	3747	4168	4374
70	4375	3814	3161	4059	4232
75	4299	3841	3342	4191	4568
80	4740	4057	4017	4620	5062
85	5043	4642	4322	5523	5443

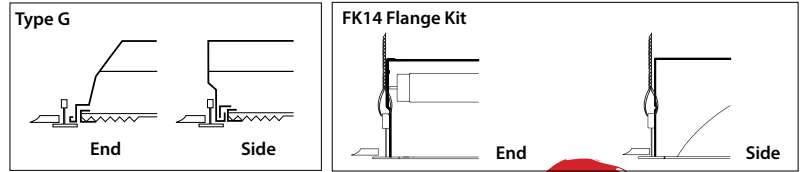
**DIMENSIONAL DATA**



A: 7/8" Diameter knockout  
K: 2" x 3" through hole for access plate.

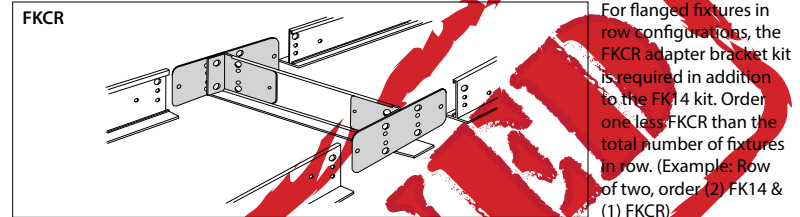
**NOTE:** All dimensions are in inches; dimensions and specifications are subject to change without notice. Please consult factory or check sample for verification.

**CEILING COMPATIBILITY**



For lay-in installation in exposed grid ceilings. Maximum tee widths of 1" and maximum tee heights of 2" allowed.

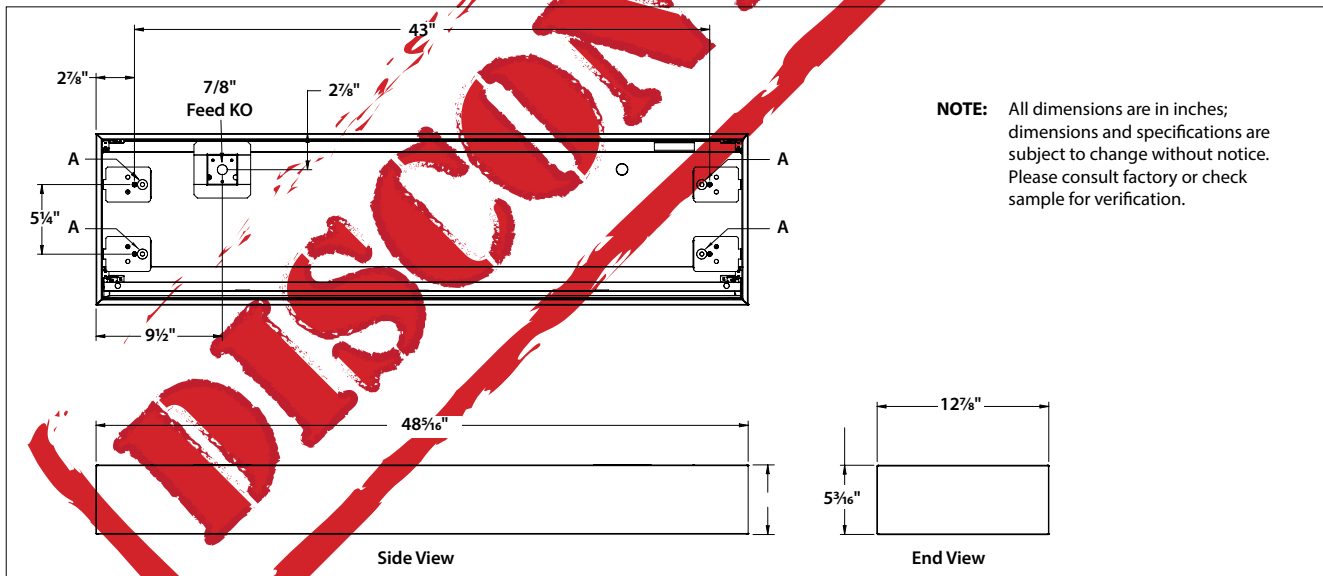
For hard ceiling applications, order FK14 flange kit. Flange kit wires directly into concealed ceiling opening for a clean, finished appearance.



Row cut out dimensions using FK14s & FKCR adapters:  
Width 12 3/8", Length [48" x (# in row)] + 3/8". Example: (48" x 2) + 3/8" = 96 3/8"

Flange kit rough in dimensions for single unit only: 12 3/8" x 48 3/8"

**DIMENSIONAL DATA - SURFACE MOUNT (SM) AND CABLE MOUNT (CM)**



**NOTE:** All dimensions are in inches; dimensions and specifications are subject to change without notice. Please consult factory or check sample for verification.

**SURFACE MOUNT**

Order SM ceiling type. Mounting collar required for surface mounting. (4) Mounting knock-outs, 1/4" to 1/2" provided as shown, marked "A".

**CABLE MOUNT**

Order CM ceiling type. Access plate supplied for cable mounting or suspension. Use CM48Y1 C3F-KIT 48" cable mount kit. Includes 3 wire feed cord. For other wiring needs, contact Hubbell Lighting representative. Mounting knock-outs, 1/4" to 1/2" provided as shown, marked "A".