



PROJECT INFORMATION

Project Name _____

Type _____

Catalog No. _____

Date _____

FEATURES

- Enclosed and Gasketed Industrial
- Available in 4' or 8' lengths
- T5HO or T8HO fluorescent
- IP65, IP67, NSF, Wet Location
- Fiberglass housing with F1 weatherability rating, standard
- Smooth housing for ease of cleaning
- Gasket is non-porous to ensure seal
- Impact modified acrylic lens
- Lens selections include ribbed clear or frost, optically clear deep profile, or deep profile frost
- Lens firmly secured with tamper resistance ready polycarbonate latches
- Stainless steel latching optional
- UL Sanitation Certified per NSF Standards
- Removable gear tray electrical access
- Includes surface brackets
- Surface mount or suspended
- CSA c/US labeled, built to UL 1598, UL924 as appropriate
- 480V option for 54W T5HO

CONSTRUCTION

Housing is formed from UL 5VA fiberglass. F1 weatherability rating, suitable for indoor or outdoor use with respect to exposure to UV light. Pour-in-place non-porous gasketing assures seal. Fluorescent lamp sockets and ballast affixed to removable gear tray. 8 Latches per 4', 14 per 8'. Latches are provided tamper resistance ready, tamper resistant screws optional. Latches are standard polycarbonate, optional in stainless steel. Knockouts are provided for electrical access and mounting.

SHIELDING

Lineal ribbed clear acrylic lens impact modified; modification adds flexibility to reduce impact breakage compared to standard acrylic formulations. Polycarbonate ribbed diffuser optional. Frosted acrylic or polycarbonate available for additional lamp diffusion. Deep acrylic lens in clear or frost optional (without lineal ribs).

FINISH

White painted parts are treated with a five-stage phosphate bonding process and finished with high reflectance baked enamel.

ELECTRICAL

Standard class "P", thermally protected, auto-resetting HPF ballast, sound rated A. CEE NEMA Premium compliant. All ballast leads extend a minimum of 6" through access location. NEC/CEC compliant ballast disconnect is standard.

CERTIFICATION

All luminaires are built to UL 1598 standards and bear appropriate CSA c/US labels. Ingress protection IP65 and IP67 standard. UL Sanitation Certified per NSF Standards. Wet location labeling is standard. Emergency-equipped fixtures built to UL 924.

ORDERING INFORMATION (See page 2 for Product Availability Data and Sensor Kits)

EXAMPLE XEM4-254-RA-EPU

XEM									
MODEL		NO. OF LAMPS IN CROSS SECTION		BALLAST		VOLTAGE		OPTIONS	
XEM Enclosed and Gasketed Fiberglass Industrial		1 One 2 Two		EP Electronic, Programmed Start 4EP 4-Lamp Electronic, Programmed Start		U 120V-277V 120 120V 277 277V 347 347V (54W only)		EL141 900-1400 Lumen T8HO Battery Pack EL5 390-700 Lumen T5HO Battery Pack EL5H 600-1325 Lumen T5HO Battery Pack GLR Fast Blow Fuse GMF Slow Blow Fuse TP Tamper Proof Screws SSL Stainless Steel Latches F5841 T5HO Lamp Installed, 82 CRI, 4100K F5850 T5HO Lamp Installed, 82 CRI, 5000K F3C8W 3 Wire 8' Wet Cord F3C15W 3 Wire 15' Wet Cord SWH Single Wet Hub 1/2" NPT Hub DWH Dual Wet Hub 1/2" NPT Hub M4R Specular Aluminum Reflector, 95% Reflectivity	
SIZE	LAMP TYPE	LENS TYPE							
4 4'	48T8HO 4', T8HO: 44 Watt ¹	RA Ribbed Acrylic, Impact Resistant (standard) RFA Ribbed Frosted Acrylic, Impact Resistant RP Ribbed Polycarbonate ² RFP Ribbed Frosted Polycarbonate ² DCA Deep Clear Acrylic DFA Deep Frosted Acrylic							
8 8'	54 4', T5HO: 54, 51, or 49 Watt 96T8HO 8', T8HO: 86 Watt ¹								

ACCESSORIES (ORDER SEPARATELY)

- XEDPM Dual Pendant Brackets (pendant by others)³
- XEHC Chain Hanger

¹ Optional pre-installed lamps not available for this lamp type.
² Polycarbonate lenses available in 4' only.
³ Requires 3/8" OD threaded rod by others.

Not all configurations are compatible; for questions contact Hubbell Lighting representative.

PRODUCT AVAILABILITY DATA

PRODUCT AVAILABILITY							
SIZE	# OF LAMPS IN CROSS SECTION	# OF LAMPS IN FIXTURE	LAMP TYPE	WIDTH	LENGTH	HEIGHT RA, RFA, RP, RFP	HEIGHT DCA, DFA
4'	1	1	48T8HO, 54	67/9"	51 2/3"	4 3/8"	5 5/8"
	2	2	48T8HO, 54	67/9"	51 2/3"	4 3/8"	5 5/8"
8'	1	2	54	67/9"	100"	4 3/8"	5 5/8"
	1	1	96T8HO	67/9"	100"	4 3/8"	5 5/8"
	2	4	54	67/9"	100"	4 3/8"	5 5/8"
	2	2	96T8HO	67/9"	100"	4 3/8"	5 5/8"

SENSOR KITS (Order Separately)						
All sensor kits include Occupancy & Daylight.						
Daylight activation requires setting of dip-switches on site.						
	Catalog #	# Relays	Lens Type	Voltage	Wet Label	Product
120V / 277V / 347V	OS1360WLK	1	360°	120/277/347	Yes	XEM
	OS2360WLK	2	360°	120/277/347	Yes	XEM
	OS1AWLK	1	Aisle	120/277/347	Yes	XEM
	OS2AWLK	2	Aisle	120/277/347	Yes	XEM
	OS1360480WLK	1	360°	480V	Yes	XEM
208V / 480V	OS1A480WLK	1	Aisle	480V	Yes	XEM
	OS1360208WLK	1	360°	208V	Yes	XEM
	OS1A208WLK	1	Aisle	208V	Yes	XEM

PHOTOMETRIC DATA

Test 6463 Test Date 07/10/13

LUMINAIRE DATA

Luminaire	XEM4-254-RA-EP XEM Enclosed and Gasketed, Industrial 6.75" x 51.5" 2-lamp with ribbed clear acrylic lens
Ballast	ICN-2554-90C-N
Ballast Factor	1.00
Lamp	F54T5
Lumens per Lamp	4500
Watts	103
Mounting	Surface
Shielding Angle	0° = 90 90° = 90
Spacing Criterion	0° = 1.25 90° = 1.67
Luminous Opening in Feet	Length: 4.27 Width: 0.52 Height: 0.17

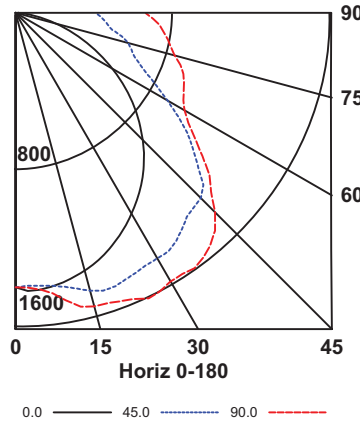
ZONAL LUMEN SUMMARY

Zone	Lumens	% Lamp	% Fixt.
0-30	1214	13.5	19.0
0-40	2082	23.1	32.6
0-60	3939	43.8	61.7
0-90	5744	63.8	90.0
0-180	6383	70.9	100.0

ENERGY DATA

Total Luminaire Efficiency	70.9%
Luminaire Efficacy Rating (LER)	62
ANSI/IESNA RP-1-2004 Compliance	Noncompliant
Comparative Yearly Lighting Energy Cost per 1000 Lumens	\$3.87 based on 3000 hrs. and \$0.08 per KWH

INDOOR CANDELA PLOT



AVG. LUMINANCE (Candela/Sq. M.)

	0.0	22.5	45.0	67.5	90.0
0	6782	6782	6782	6782	6782
30	6468	6640	7035	7376	7445
40	6228	6485	7058	7582	7672
45	6053	6355	7273	7401	7430
50	5818	6404	6988	6934	7001
55	5558	6370	6593	6415	6442
60	5170	6232	5995	5994	6166
65	4714	5483	5462	5987	6379
70	4152	4729	5330	6369	6795
75	3490	4157	5644	6663	7070
80	2642	3930	5650	7131	7727
85	1835	3883	6370	8007	8678

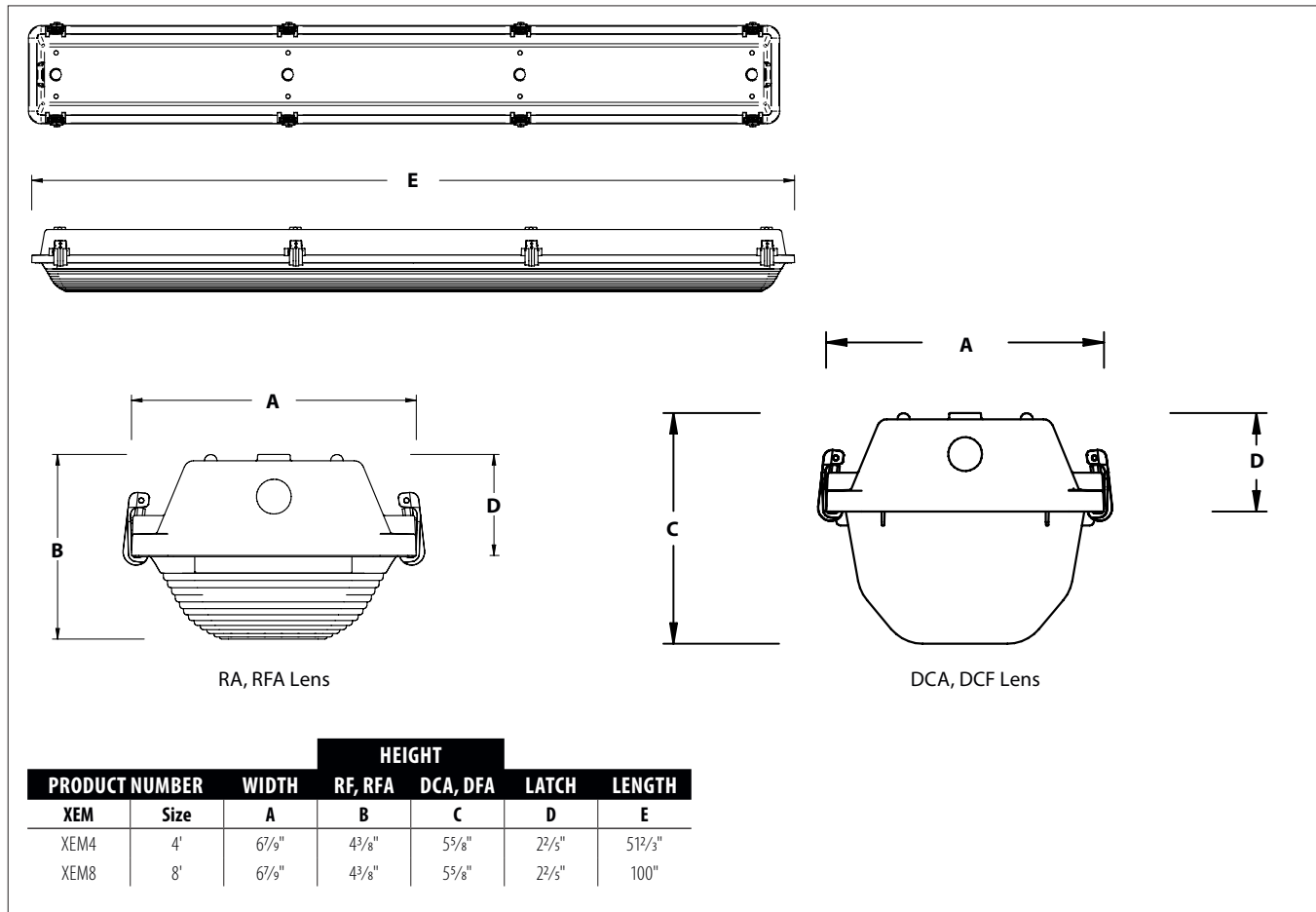
COEFFICIENTS OF UTILIZATION (%)

RCR	RC	80				70				50				0				
		70	50	30	10	70	50	30	10	50	30	10	0	70	50	30	10	
1	74	69	66	62	71	67	64	60	63	60	57	49						
2	66	59	54	49	63	57	52	48	54	49	46	40						
3	60	52	45	40	57	50	44	39	47	42	38	33						
4	55	45	39	33	52	44	38	33	41	36	32	27						
5	50	40	33	28	48	39	33	28	37	31	27	23						
6	46	36	29	24	44	35	29	24	33	27	23	20						
7	43	32	26	21	41	32	25	21	30	24	20	18						
8	39	29	23	19	38	29	23	19	27	22	18	16						
9	37	27	21	17	35	26	21	17	25	20	16	14						
10	34	25	19	15	33	24	19	15	23	18	15	12						

RCR = Room Cavity Ratio

RC = Effective Ceiling Cavity Reflectance RW = Wall Reflectance

DIMENSIONAL DATA



NOTE: All dimensions are in inches; dimensions and specifications are subject to change without notice. Please consult factory or check sample for verification.