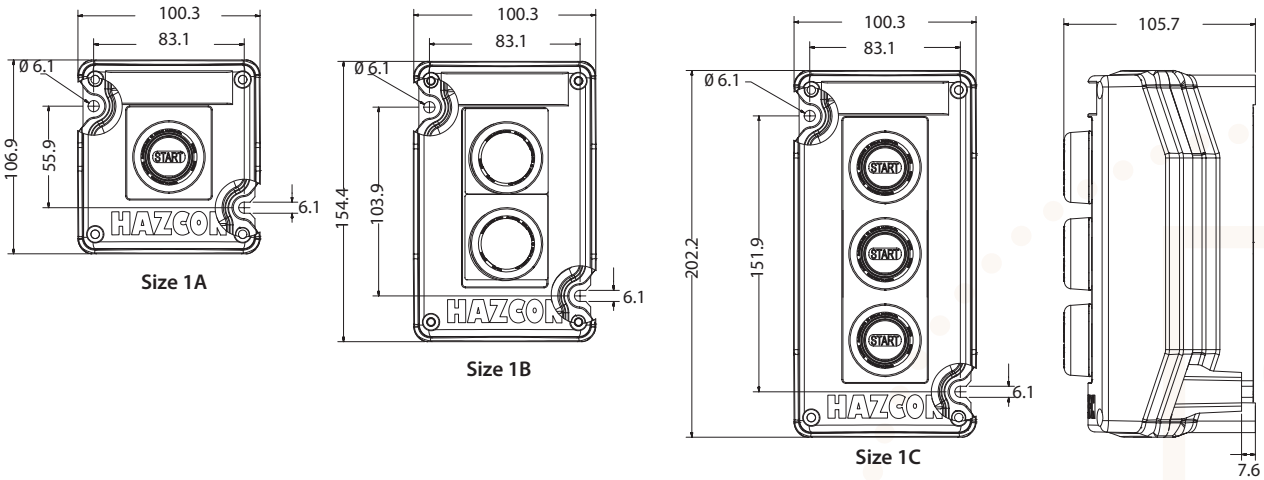


**Size 1 GRP Enclosures**

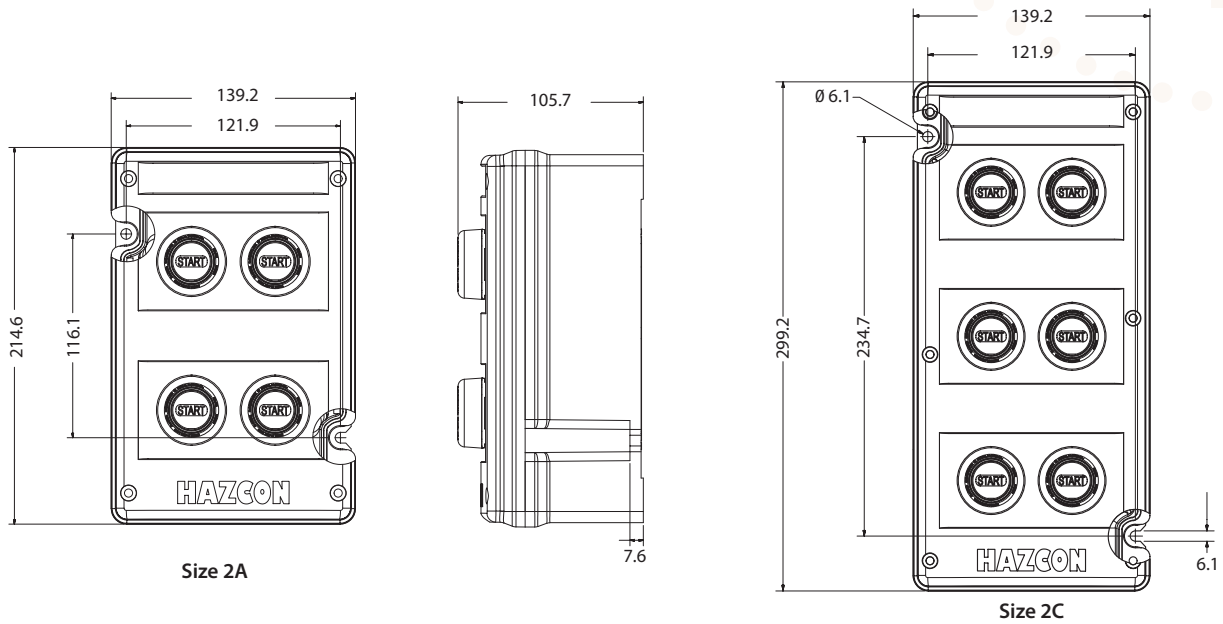


Note:- Mounting hole dimensions moulded into enclosure base.

Maximum Quantity of Entries for Size 1A, 1B and 1C									
Entry Size	M20	M25	M32	20 mm	25 mm	32 mm	1/2" NPT	3/4" NPT	1" NPT
Face A (Top)	-	-	-	2	1	1	1	1	1
Face C (Base)	2	1	-	2	1	1	1	1	1

'M' before number denotes threaded entry, 'mm' after number denotes gland hole (unthreaded) - ECP optional

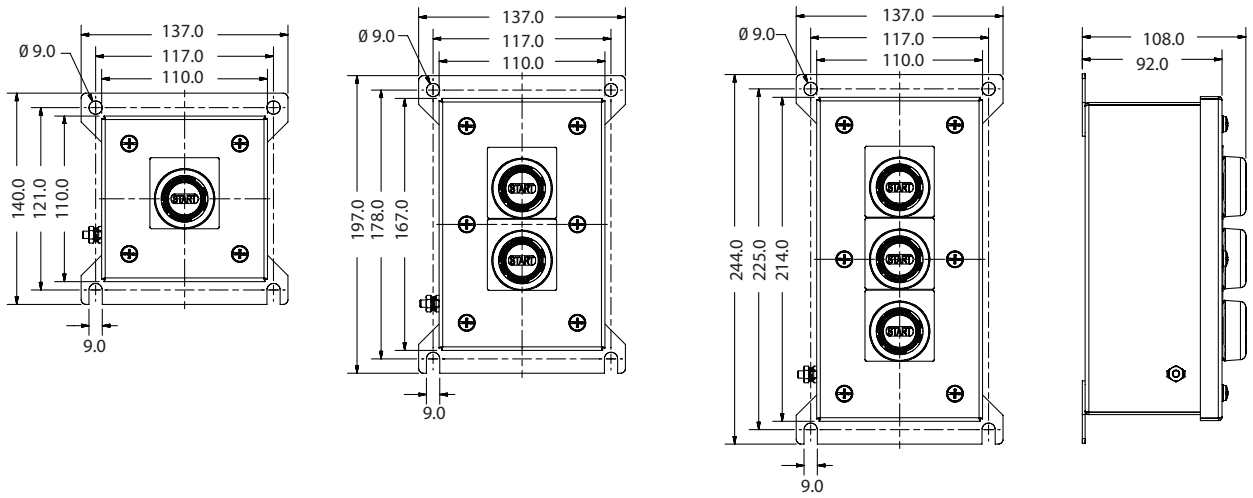
**Size 2 GRP Enclosures**



Maximum Quantity of Entries for Size 2A and 2C									
Entry Size	M20	M25	M32	20 mm	25 mm	32 mm	1/2" NPT	3/4" NPT	1" NPT
Face A (Top)	1	-	-	2*	2*	1	1	1	1
Face C (Base)	2*	2*	1	2*	2*	1	1	1	1

'M' before number denotes threaded entry, 'mm' after number denotes gland hole (unthreaded) - ECP optional

## Size 1 Stainless Steel Enclosures

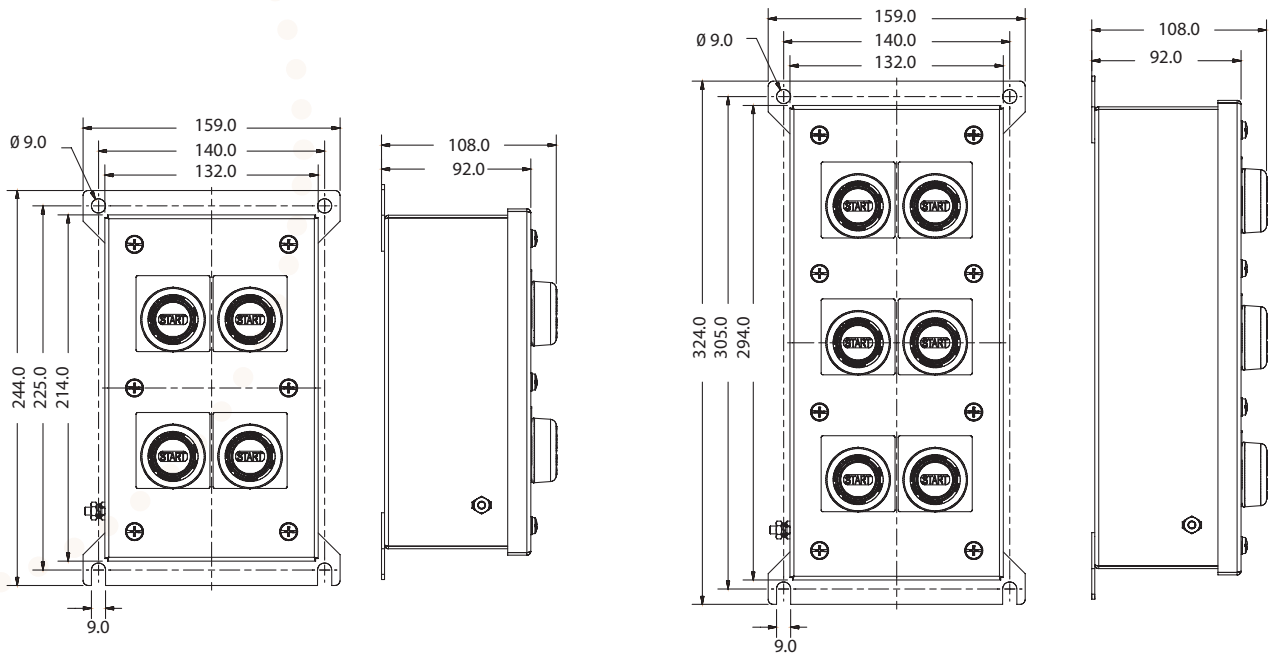


Maximum Quantity of Entries for Size 1 Stainless Steel Enclosures

Entry Size	M20	M25	M32	20 mm	25 mm	32 mm	1/2" NPT	3/4" NPT	1" NPT
Face A (Top)	-	-	-	2	1	1	1	1	1
Face C (Base)	-	-	-	2	1	1	1	1	1

'M' before number denotes threaded entry. 'mm' after number denotes gland hole (unthreaded) - ECP optional

## Size 2 Stainless Steel Enclosures



Maximum Quantity of Entries for Size 2 Stainless Steel Enclosures

Entry Size	M20	M25	M32	20 mm	25 mm	32 mm	1/2" NPT	3/4" NPT	1" NPT
Face A (Top)	-	-	-	2	2	1	1	1	1
Face C (Base)	-	-	-	2	2	1	1	1	1

'M' before number denotes threaded entry. 'mm' after number denotes gland hole (unthreaded) - ECP optional