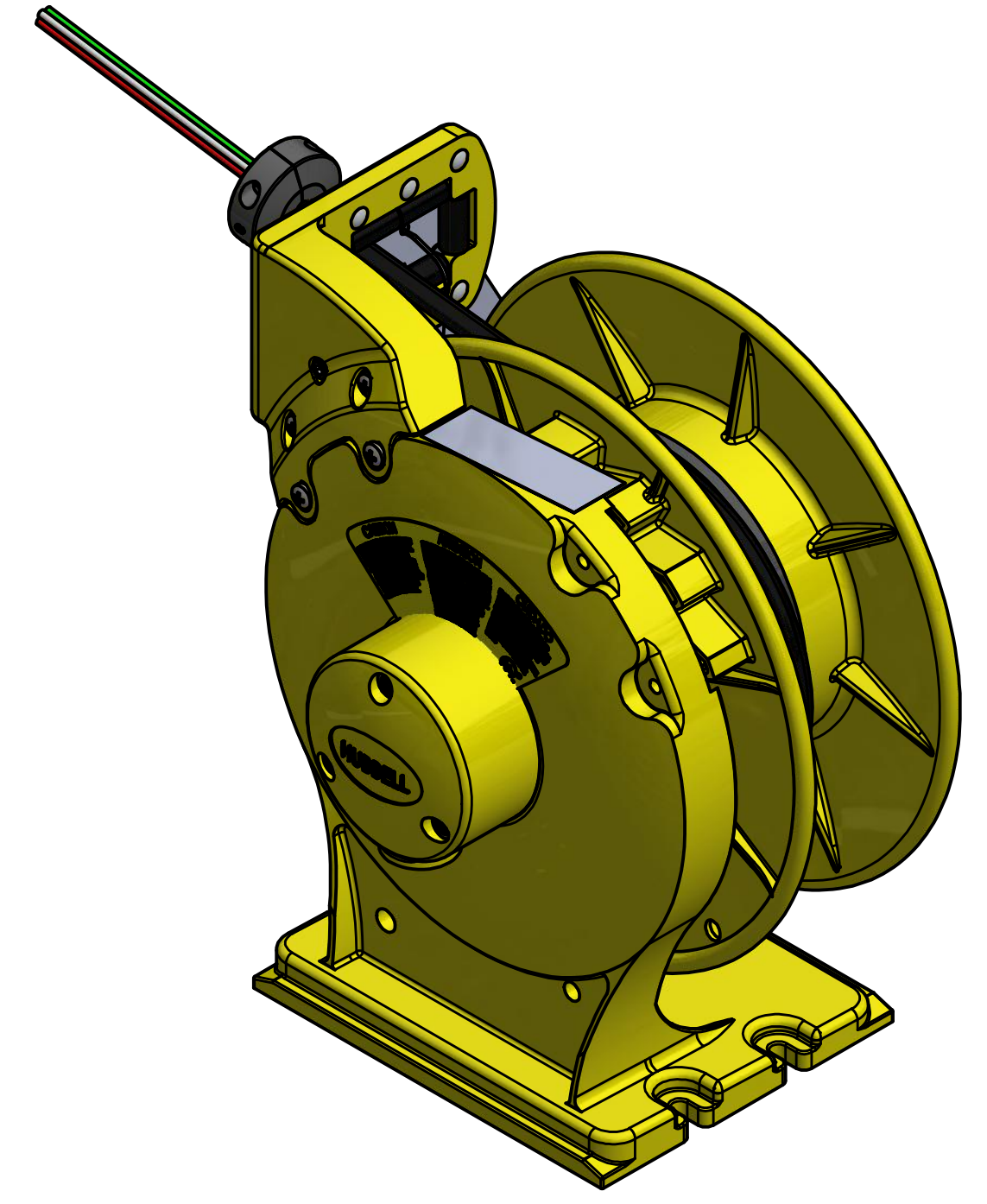


3.00\"/>

LIST OF PARTS			REVISION HISTORY			
DESCRIPTION	MATERIAL	FINISH	REV	DESCRIPTION	DATE	APPROVED
SPOOL WITH RATCHET	ALUMINUM	POWDER COATING	A	RELEASE NO ERN RELEASED	05/21/20	SRK
SPOOL	ALUMINUM	POWDER COATING				
JUNCTION BOX COVER	ALUMINUM	POWDER COATING				
SPRING HOUSING COVER	STEEL	ZINC PLATED				
VERTICAL FRAME	ALUMINUM	POWDER COATING				
SPRING MOTOR	SPRING STEEL	N/A				
GUIDE ARM	ALUMINUM	POWDER COATING				
GUIDE FRAME	THERMOPLASTIC	N/A				
HARDWARE	STEEL	ZINC PLATED				
MAIN SHAFT	STEEL	ZINC PLATED				
CORD	COPPER	N/A				
BALL STOP	THERMOPLASTIC	N/A				
INTERNAL TERMINALS	COPPER ALLOY	N/A				
FITTINGS	ALUMINUM	N/A				



TABULATION CHART-MODEL NUMBERS											
TAB	MODEL NO.	DESCRIPTION	UL ENCLOSURE TYPE	BASE CORD REEL VOLTAGE	AMPS	CORD LGTH	CORD SIZE	CORD TYPE	REEL SIZE	REEL COLOR	REEL WEIGHT (LESS END EFFECTOR)
01	WCA16325-BC	WCA16325-BC,25FT,16/3,BLIND CORD YL	UL TYPE 4	600V	10	25	16/3	SOW	3	YELLOW	21.4 LBS.
02	WCA16335-BC	WCA16335-BC,35FT,16/3,BLIND CORD YL	UL TYPE 4	600V	10	35	16/3	SOW	3	YELLOW	22.5 LBS.
03	WCA16345-BC	WCA16345-BC,45FT,16/3,BLIND CORD YL	UL TYPE 4	600V	10	45	16/3	SOW	3	YELLOW	23.6 LBS.
04	WCA14325-BC	WCA14325-BC,25FT,14/3,BLIND CORD YL	UL TYPE 4	600V	15	25	14/3	SOW	3	YELLOW	22.5 LBS.
05	WCA14335-BC	WCA14335-BC,35FT,14/3,BLIND CORD YL	UL TYPE 4	600V	15	35	14/3	SOW	3	YELLOW	25.1 LBS.
06	WCA14345-BC	WCA14345-BC,45FT,14/3,BLIND CORD YL	UL TYPE 4	600V	10	45	14/3	SOW	4.75	YELLOW	28.2 LBS.
07	WCA12325-BC	WCA12325-BC,25FT,12/3,BLIND CORD YL	UL TYPE 4	600V	20	25	12/3	SOW	3	YELLOW	24.9 LBS.
08	WCA12335-BC	WCA12335-BC,35FT,12/3,BLIND CORD YL	UL TYPE 4	600V	20	35	12/3	SOW	4.75	YELLOW	28.9 LBS.
09	WCA12345-BC	WCA12345-BC,45FT,12/3,BLIND CORD YL	UL TYPE 4	600V	20	45	12/3	SOW	4.75	YELLOW	31.3 LBS.
10	WCA16425-BC	WCA16425-BC,25FT,16/4,BLIND CORD YL	UL TYPE 4	600V	10	25	16/4	SOW	3	YELLOW	21.8 LBS.
11	WCA16435-BC	WCA16435-BC,35FT,16/4,BLIND CORD YL	UL TYPE 4	600V	10	35	16/4	SOW	3	YELLOW	23.1 LBS.
12	WCA16445-BC	WCA16445-BC,45FT,16/4,BLIND CORD YL	UL TYPE 4	600V	10	45	16/4	SOW	4.75	YELLOW	25.6 LBS.
13	WCA14425-BC	WCA14425-BC,25FT,14/4,BLIND CORD YL	UL TYPE 4	600V	15	25	14/4	SOW	3	YELLOW	24.3 LBS.
14	WCA14435-BC	WCA14435-BC,35FT,14/4,BLIND CORD YL	UL TYPE 4	600V	15	35	14/4	SOW	3	YELLOW	26.5 LBS.
15	WCA14445-BC	WCA14445-BC,45FT,14/4,BLIND CORD YL	UL TYPE 4	600V	15	45	14/4	SOW	4.75	YELLOW	30.0 LBS.
16	WCA12425-BC	WCA12425-BC,25FT,12/4,BLIND CORD YL	UL TYPE 4	600V	20	25	12/4	SOW	4.75	YELLOW	27.6 LBS.
17	WCA12435-BC	WCA12435-BC,35FT,12/4,BLIND CORD YL	UL TYPE 4	600V	20	35	12/4	SOW	4.75	YELLOW	30.6 LBS.
18	WCA12440-BC	WCA12440-BC,40FT,12/4,BLIND CORD YL	UL TYPE 4	600V	20	40	12/4	SOW	4.75	YELLOW	32.2 LBS.
19	WCA10325-BC	WCA10325-BC,25FT,10/3,BLIND CORD YL	UL TYPE 4	600V	30	25	10/3	SOW	4.75	YELLOW	28.4 LBS.
20	WCA10335-BC	WCA10335-BC,35FT,10/3,BLIND CORD YL	UL TYPE 4	600V	30	35	10/3	SOW	4.75	YELLOW	31.7 LBS.
21	WCA10340-BC	WCA10340-BC,40FT,10/3,BLIND CORD YL	UL TYPE 4	600V	30	40	10/3	SOW	4.75	YELLOW	33.3 LBS.
22	WCA10425-BC	WCA10425-BC,25FT,10/4,BLIND CORD YL	UL TYPE 4	600V	30	25	10/4	SOW	4.75	YELLOW	30.2 LBS.
23	WCA10435-BC	WCA10435-BC,35FT,10/4,BLIND CORD YL	UL TYPE 4	600V	30	35	10/4	SOW	4.75	YELLOW	34.2 LBS.

BASE PART NUMBER FOR REEL ASSEMBLIES LISTED IS GR064461. ADD TABULATION FOR MODELS LISTED IN THE CHART. (EXAMPLE:- GR06446101)

FOR CORD REEL ASSEMBLIES WITH ICEBERG WHITE PAINT, ADD "W" TO THE TABULATED PART NUMBER (EXAMPLE:- GR06446101W)

UNLESS OTHERWISE NOTED, ALL DIMENSIONS ARE INCHES. TOLERANCES AS FOLLOWS:
 DECIMAL .XX ± .01
 DECIMAL .XXX ± .010
 ANGLES DEG-MIN ± 1'0"

THIS DRAWING AND ALL INFORMATION HEREON IS THE PROPERTY OF GLEASON REEL AND CONFORMS TO GLEASON REEL ENGINEERING POLICY. IT MUST NOT BE COPIED, REPRODUCED, OR SUBMITTED TO OTHERS WITHOUT WRITTEN AUTHORIZATION AND ALL REPRODUCTIONS ARE SUBJECT TO RETURN ON DEMAND.

APPLICATION	DATE	DATE
NEXT ASSY	1/3/2019	DATE
SIM TO		

GLEASON REEL CORP. MAYVILLE, WISCONSIN Inventor Drawing

CORD REEL ASSY-MODEL WCA HUBBELL YELLOW PAINT APPLICATION CHART

DWG NO **064461APP** REV **A**

DO NOT SCALE DRAWING! SHEET 1 OF 1