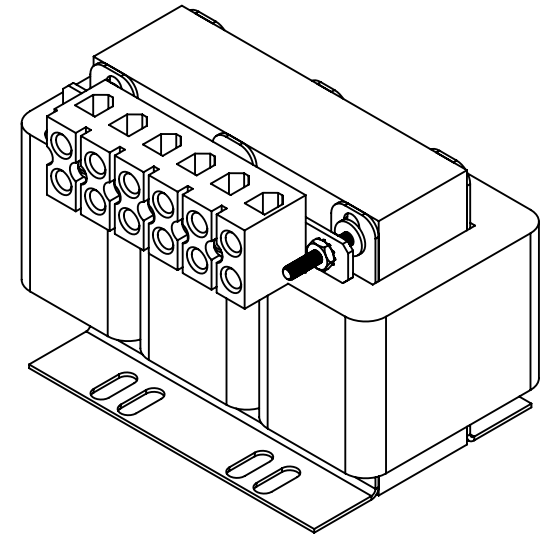
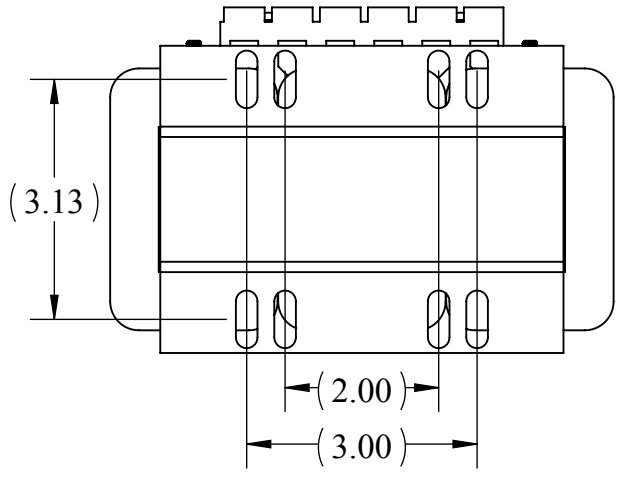
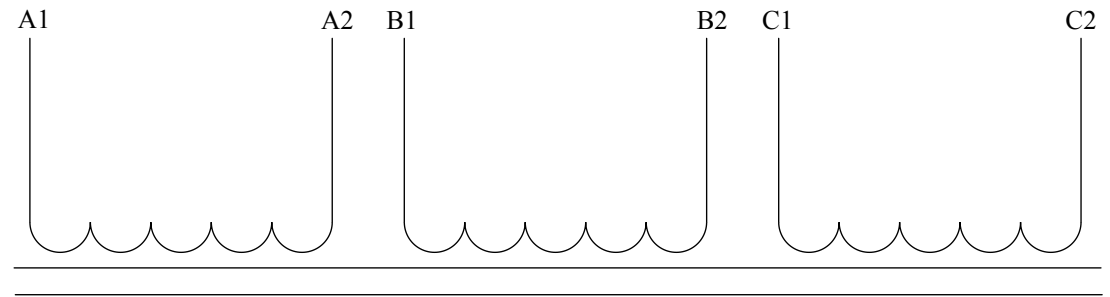
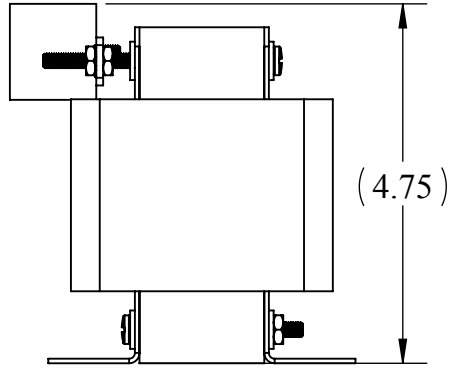
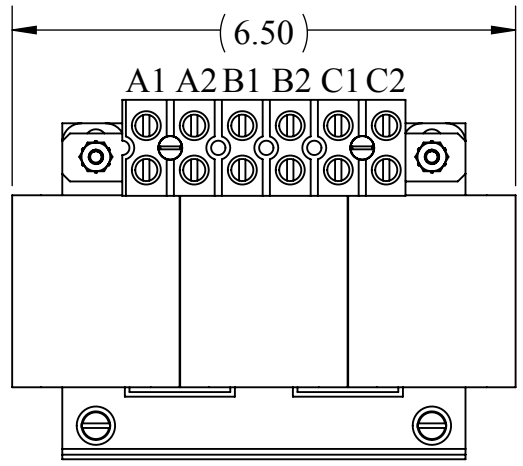
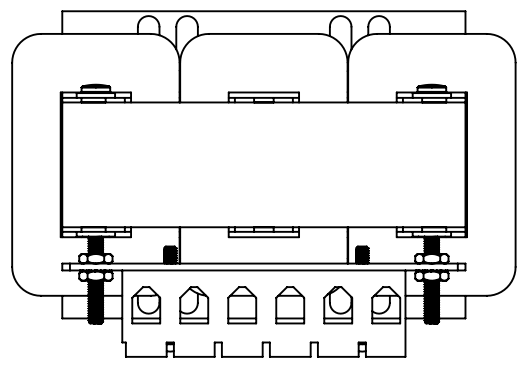
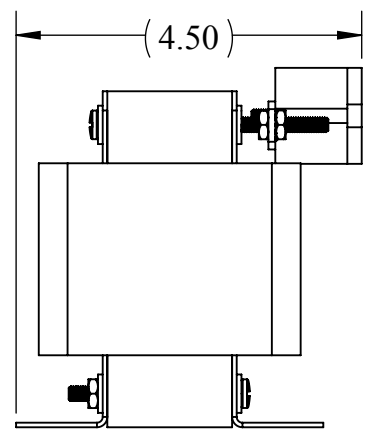
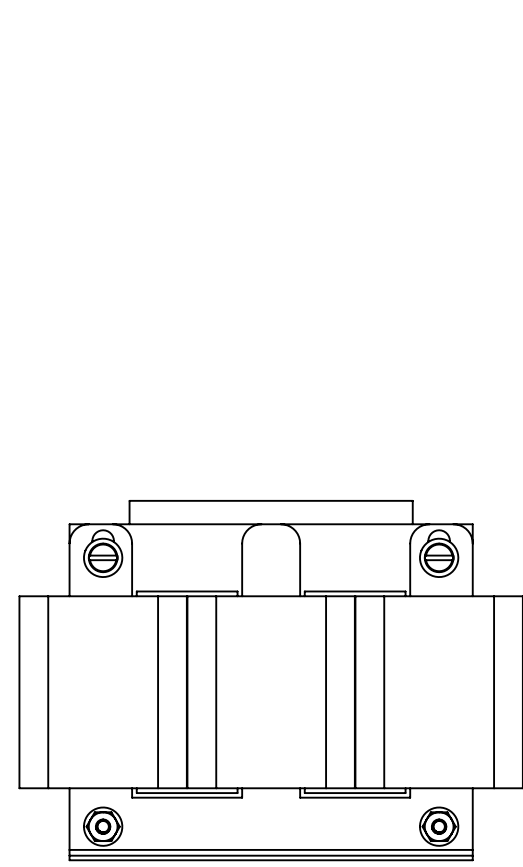


8 7 6 5 4 3 2 1


D
C
B
A

D
C
B
A



CATALOG NUMBER	PHASE	FREQ.	MAX VOLTAGE	MAX AMPS	INDUCTANCE (uH / COIL) ±10%	RESISTANCE @20 °C (mΩ/COIL)	INS. SYS(°C)	WATTS LOSS 115% 60Hz 20°C	WDG. MATL.	WEIGHT
ALRB035CBC	3	60Hz	600	35	630	8.76	180	109	Cu	13 lbs.

PROPRIETARY AND CONFIDENTIAL
 THE INFORMATION CONTAINED IN THIS DRAWING IS THE SOLE PROPERTY OF ACME ELECTRIC. ANY REPRODUCTION IN PART OR AS A WHOLE WITHOUT THE WRITTEN PERMISSION OF ACME ELECTRIC IS PROHIBITED.

A		N/A		RELEASED		AJP	AJP	7-21-14
REV	ECO	DESCRIPTION				BY	ENG	DATE
BRAND								
UNLESS OTHERWISE SPECIFIED:								
TOLERANCES:			DRAWN	AJP	7-21-14	 Acme Electric® MENOMONEE FALLS, WI 53051 USA		
			CHECKED	AJP	7-21-14			
			ENG APPR.	AJP	7-21-14			
MATERIAL:			SCALE: 1:2.5			TITLE:		
FINISH:			SHEET 1 OF 1			LINE REACTOR 35A		
DO NOT SCALE DRAWING			SIZE	DWG. NO.		REV		
			B	ALRB035TBC		A		

8 7 6 5 4 3 2 1