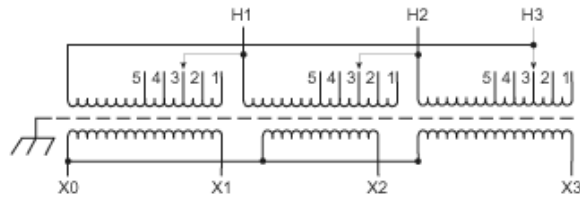


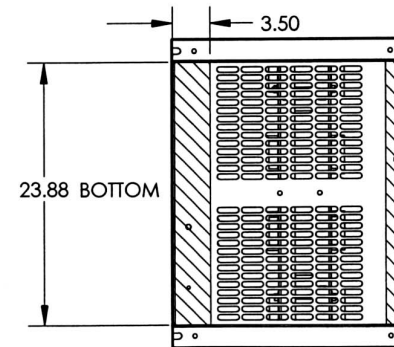
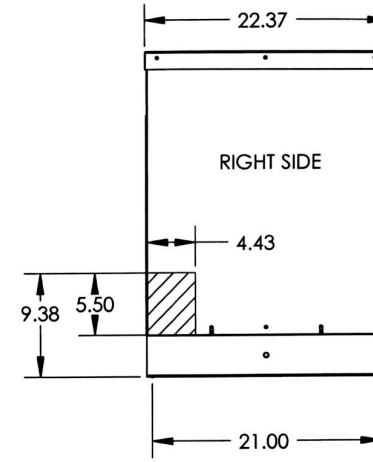
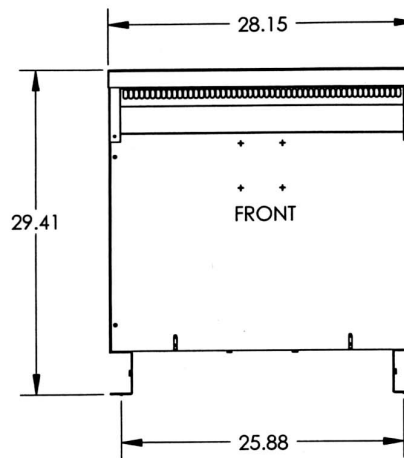
Revisions



Primary Volts	%	Connect Leads to Tap No.
242	105	1
236	102.5	2
230	100	3
224	97.5	4
219	95	5

Secondary Volts

230		X1, X2, X3
133 1 phase		X1 & X0 X2 & X0 X3 & X0



NOTE: PRIMARY AND SECONDARY BUS AREA IN FRONT OF CASE.

KEY: DENOTES CONDUIT AREAS

ACME ELECTRIC

Type No.

DRAWN:

DATE: August 27, 2015

CASE

KVA	CATALOG NUMBER	VOLTAGE		WEATHER SHIELD	WEIGHT	PHASE	FREQ.
		HIGH	LOW				
51	DTFA-051-4S	230Δ	230Y/133	WS-A-2	375 Lbs	3φ	60 Hz

Winding Rise:	150°C
Insulation:	220°C
Sound Level:	50db

TYPICAL PERFORMANCE DATA

Regulation @ 100% PF:	3.437%
Standards:	UL/CSA

Windings:	AL
Impedance:	4.70%

Typical Efficiency:	97.5%
No Load Losses:	300W
Full Load Losses:	2,026W

Control
7

A