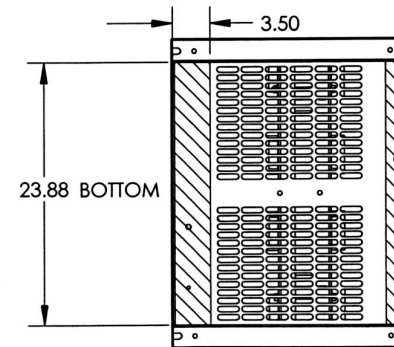
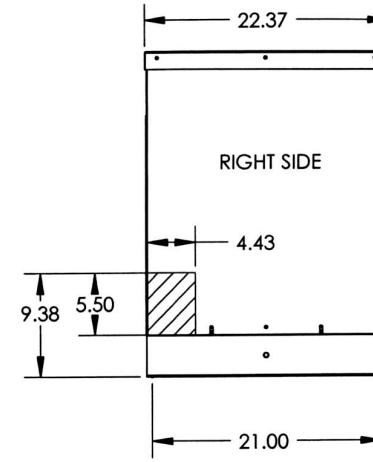
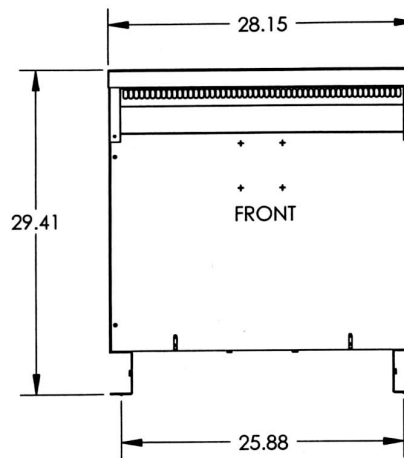
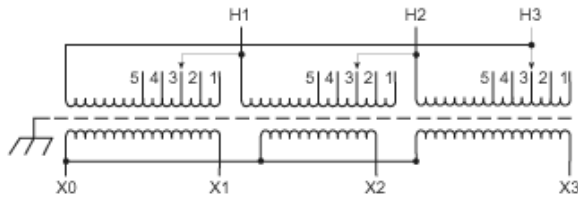


# Revisions



Primary Volts	%	Connect Leads to Tap No.
242	105	1
236	102.5	2
230	100	3
224	97.5	4
219	95	5

### Secondary Volts

230		X1, X2, X3
133 1 phase		X1 & X0 X2 & X0 X3 & X0

NOTE: PRIMARY AND SECONDARY BUS AREA IN FRONT OF CASE.

KEY: DENOTES CONDUIT AREAS

KVA	CATALOG NUMBER	VOLTAGE		WEATHER SHIELD	WEIGHT	PHASE	FREQ.
		HIGH	LOW				
63	<b>DTFA-063-4S</b>	230Δ	230Y/133	WS-A-2	495 Lbs	3φ	60 Hz

Winding Rise:	150°C
Insulation:	220°C
Sound Level:	50db

### TYPICAL PERFORMANCE DATA

Regulation @ 100% PF:	3.258%
Standards:	UL/CSA

Windings:	AL
Impedance:	6.14%

Typical Efficiency:	97.87%
No Load Losses:	300W
Full Load Losses:	2,266W

Type No.

DRAWN:

DATE: August 27, 2015

**CASE**

Control  
7

**A**

**ACME ELECTRIC**