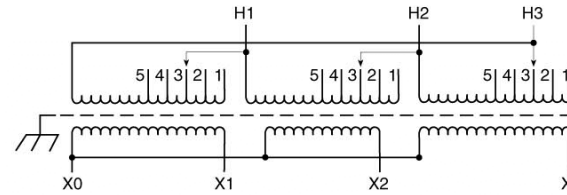
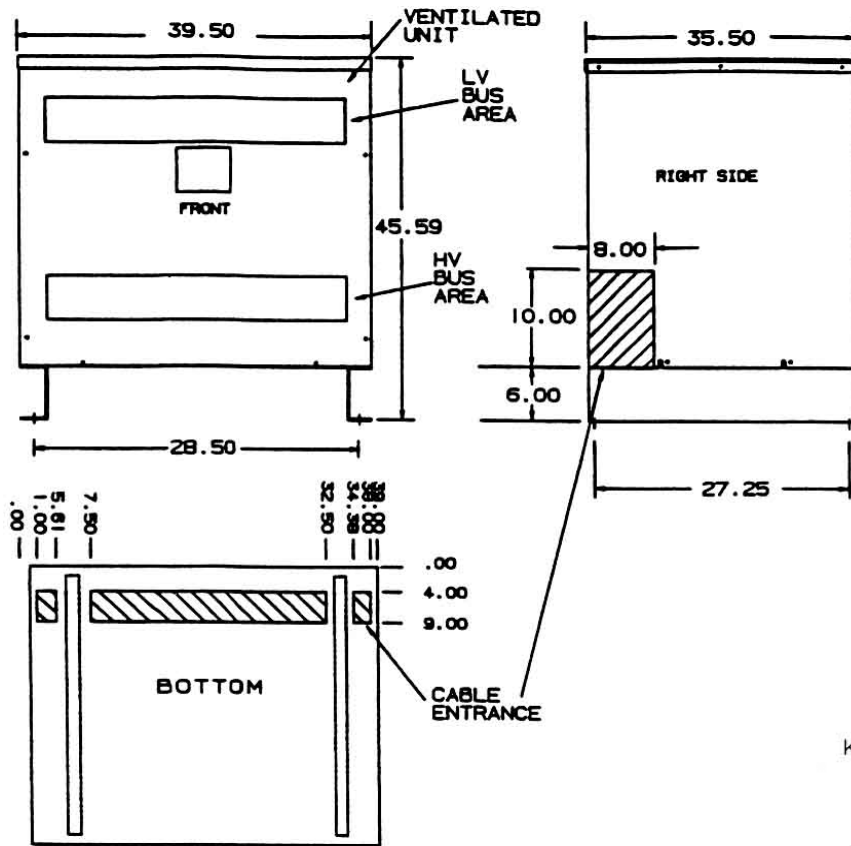


# Revisions



Primary Volts	%	Connect Leads to Tap No.
483	105	1
472	102.5	2
460	100	3
449	97.5	4
437	95	5
Secondary Volts		
230		X1, X2, X3
133 1 phase		X1 & X0 X2 & X0 X3 & X0

KEY: DENOTES CONDUIT AREAS

NOTE: PRIMARY AND SECONDARY BUS AREA IN FRONT OF CASE.

KVA	CATALOG NUMBER	VOLTAGE		WEATHER SHIELD	WEIGHT	PHASE	FREQ.
		HIGH	LOW				
330	DTGA-0330-4S	460Δ	230Y/133	WS-A-5	1500 Lbs	3φ	60 Hz

Winding Rise:	150°C
Insulation:	220°C
Sound Level:	60db

## TYPICAL PERFORMANCE DATA

Regulation @ 100% PF:	
Standards:	UL/CSA

Windings:	AL
Impedance:	5.60%

Typical Efficiency:	
No Load Losses:	
Full Load Losses:	

Control  
7

A

ACME ELECTRIC

Type No.

DRAWN:

DATE: August 27, 2015

CASE