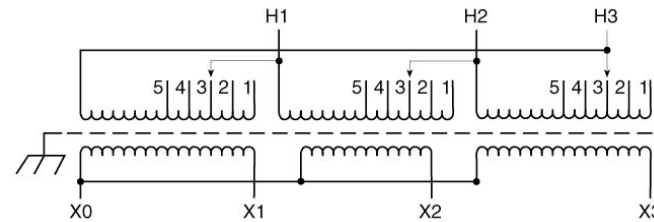
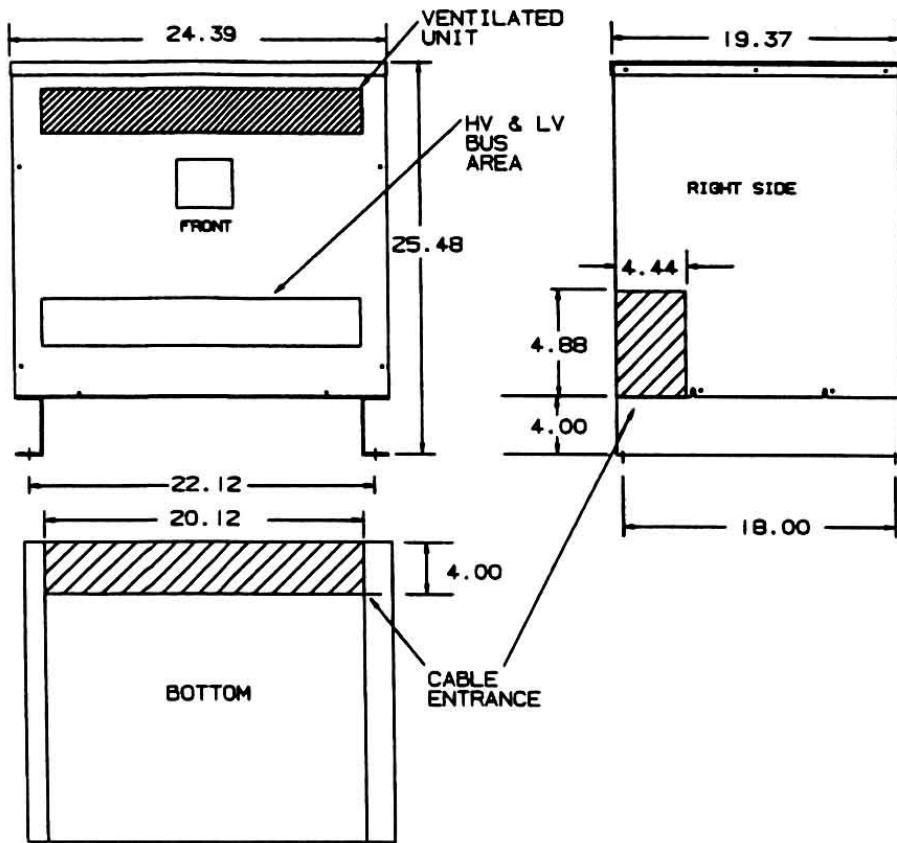


Revisions



Type No.

DRAWN:

DATE: October 23, 2008

CASE 1

KVA	CATALOG NUMBER	VOLTAGE		WIRING DIAGRAM	WEIGHT	PHASE	FREQ.
		HIGH	LOW				
34	DTGA-034-4S	460Δ	230Y/133	1	333 Lbs	3φ	60 Hz

Winding Rise:	150°C
Insulation:	220°C
Sound Level:	45db

TYPICAL PERFORMANCE DATA

Regulation @ 100% PF:	
Standards:	UL/CSA

Windings:	AL
Impedance:	5.15%

Typical Efficiency:	
No Load Losses:	
Full Load Losses:	

Control
7

A